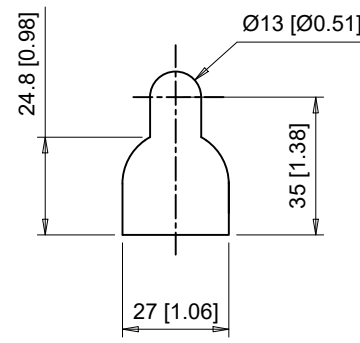
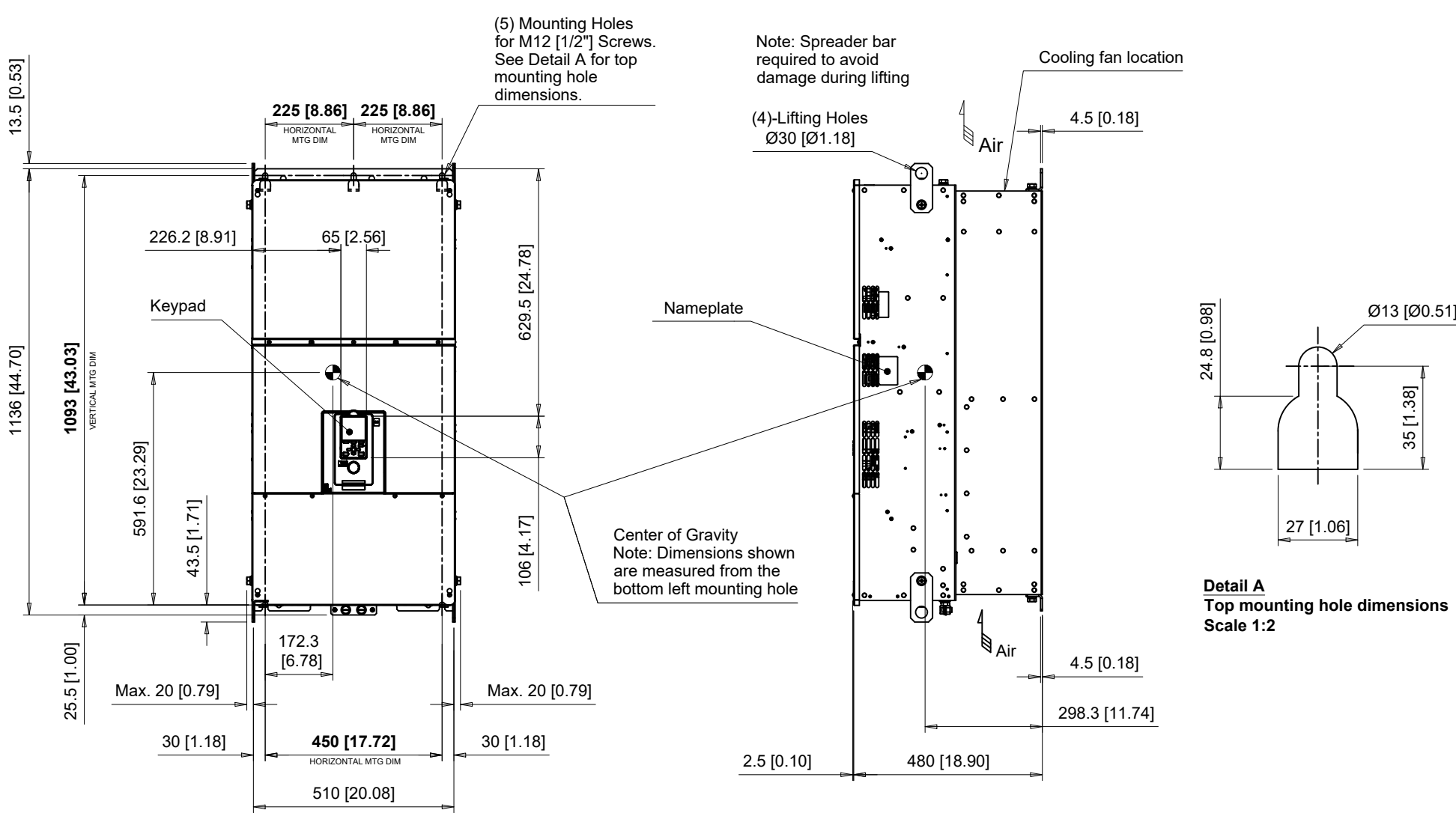


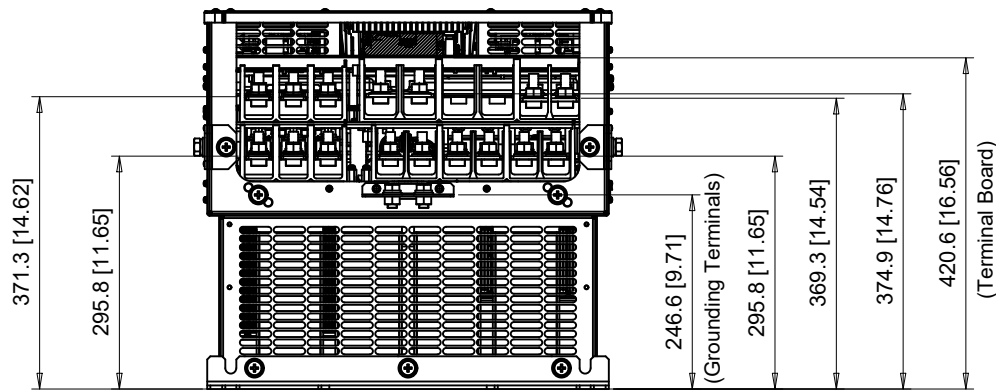
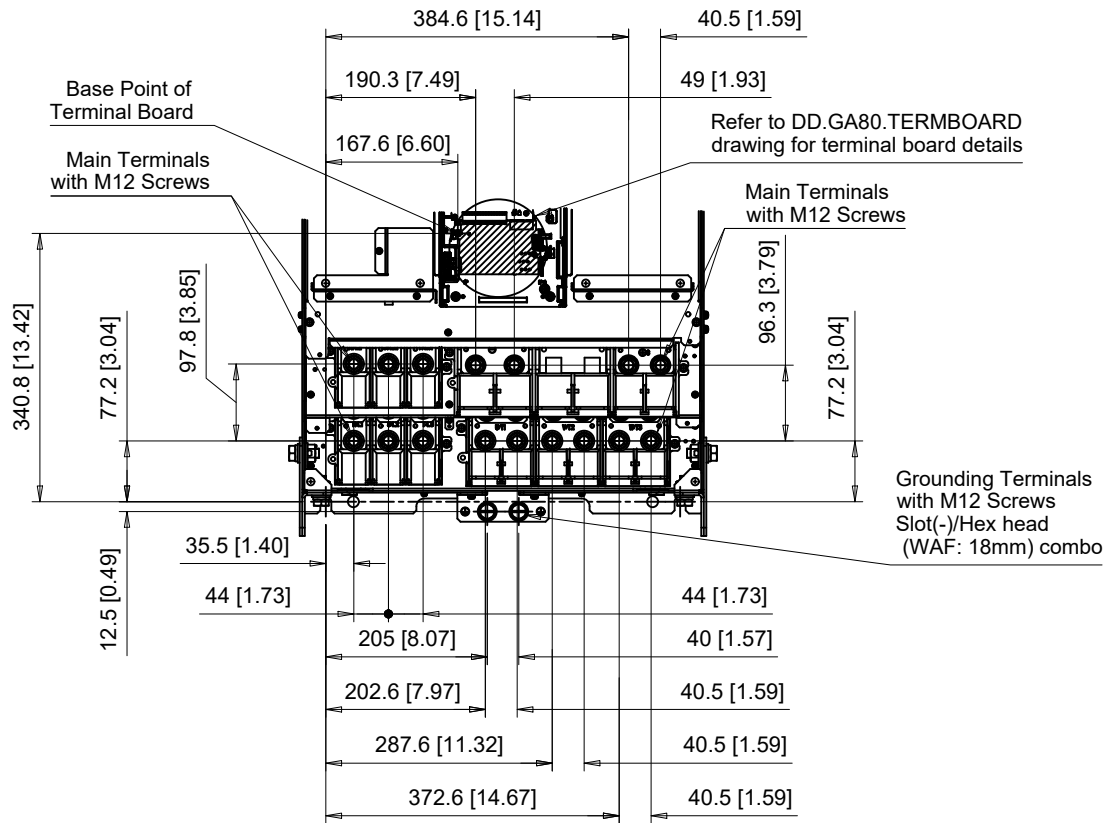
A B C D E F G H I J



Detail A
Top mounting hole dimensions
Scale 1:2

C/C: GA80□	INPUT VOLTAGE 3-PHASE (VAC)	WEIGHT Kg (lb)	COOLING FANS
T477□□□	380 TO 480	167 (367)	2
T568□□□		167 (367)	2
T605□□□		172 (378)	2
T720□□□		173 (381)	3

□ denotes A-Z



C/C: GA80□	TERMINAL SYMBOL	WIRE RANGE AWG (mm ²)	TERMINAL SCREW	CLAMPING TORQUE N.m. (lb.in.)
T477□□□	R/L1, S/L2, T/L3,	2/0 - 300 x 2P (70 - 150 x 2P)	M12	35 (310)
T568□□□	R1/L11, S1/L21, T1/L31	2/0 - 300 x 2P (70 - 150 x 2P)	M12	35 (310)
T605□□□	U, V, W,	2/0 - 300 x 2P (70 - 150 x 2P)	M12	35 (310)
T720□□□	U, V, W	2/0 - 300 x 2P (70 - 150 x 2P)	M12	35 (310)
	-	3/0 - 400 x 2P (95 - 205 x 2P)	M12	35 (310)
	+3,	2 - 4/0 x 2P (3 - 120 x 2P)	M12	35 (310)
	⊕	1/0 - 300 (50 - 150)	M12	32 - 40 (283 - 354)

□ Denotes A-Z

Note: Refer to applicable codes and standards for proper wire type and size.

YASKAWA

UNITS MM [IN]
SCALE 1:10

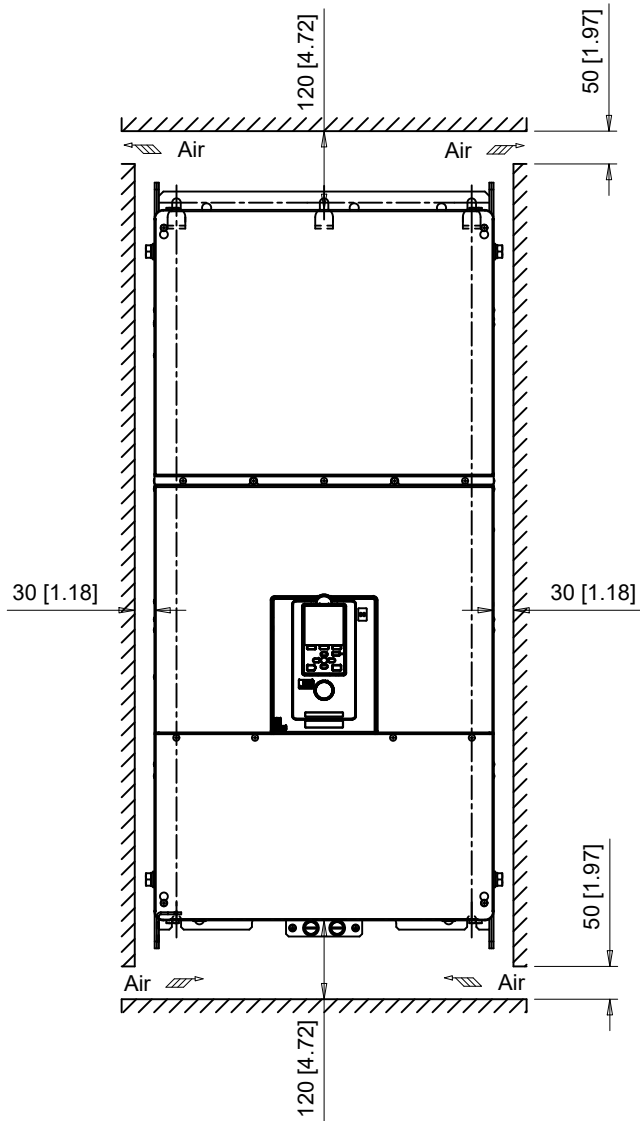
DRWN. J. MATTAS 12-9-19
CHKD. J. PIOTROWSKI 1-17-20
TECH. L. UDDIN 1-24-20
APRV. J. CAIRO 2-25-20

TITLE
GA800 12 PULSE DIMENSION DRAWING
FRAME SIZE 11
IP00 ENCLOSURE

SIZE A PAGE 2 OF 3
DWG.NO.
DD.GA80.FR11.IP00.12P

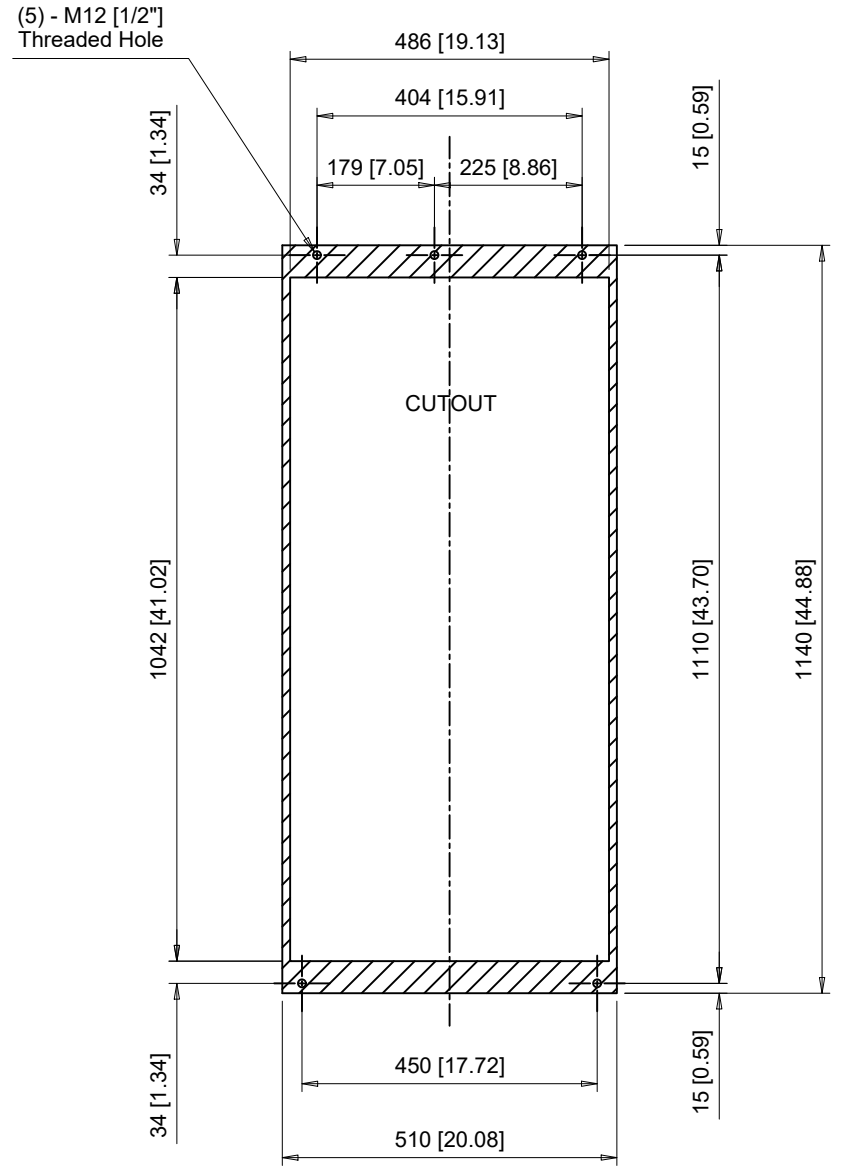
REV
0

Minimum Installation Clearances



Note:
For alternate mounting configurations, consult manual.

Panel Cutout
For External Heatsink Mounting Configuration



Notes:
Exposed heatsink minimum clearance D = 225 [8.86].
Refer to external heatsink instructions document for additional details.

YASKAWA

UNITS MM [IN]
SCALE 1:12

DRWN.	J. MATTAS	12-9-19
CHKD.	J. PIOTROWSKI	1-17-20
TECH.	L. UDDIN	1-24-20
APRV.	J. CAIRO	2-25-20

TITLE
GA800 12 PULSE DIMENSION DRAWING
FRAME SIZE 11
IP00 ENCLOSURE

SIZE	A	PAGE	3 OF 3
DWG.NO.		DD.GA80.FR11.IP00.12P	

REV
0