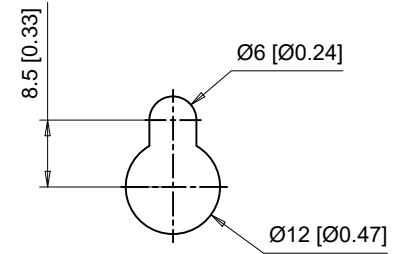
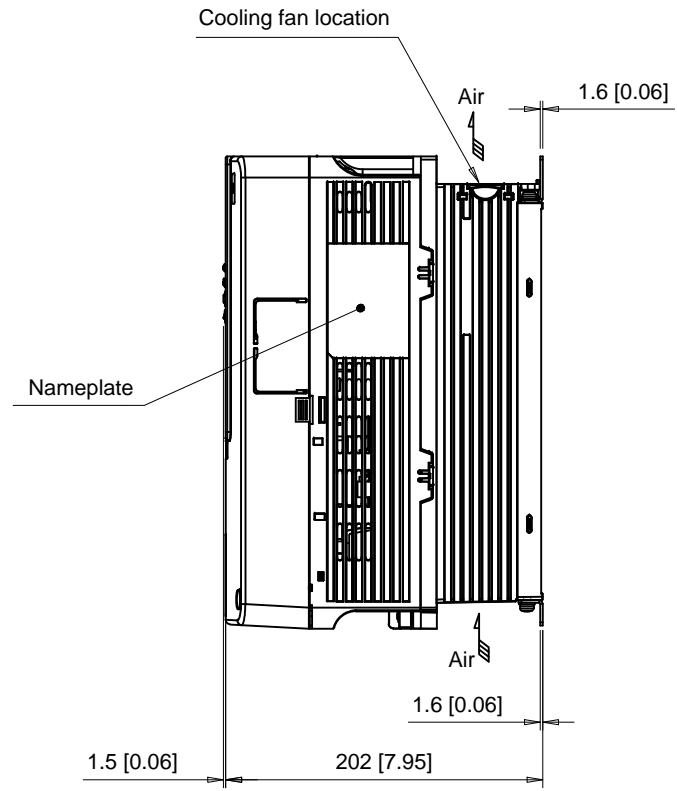
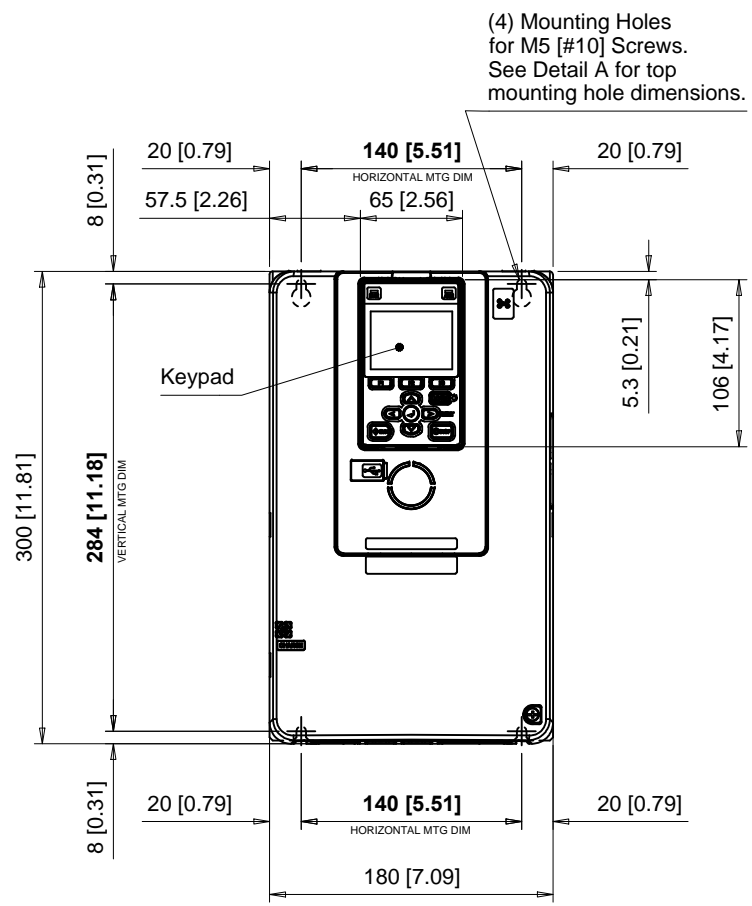
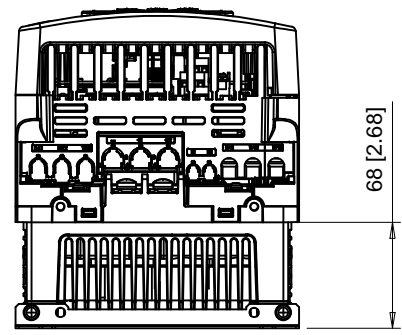


A B C D E F G H I J



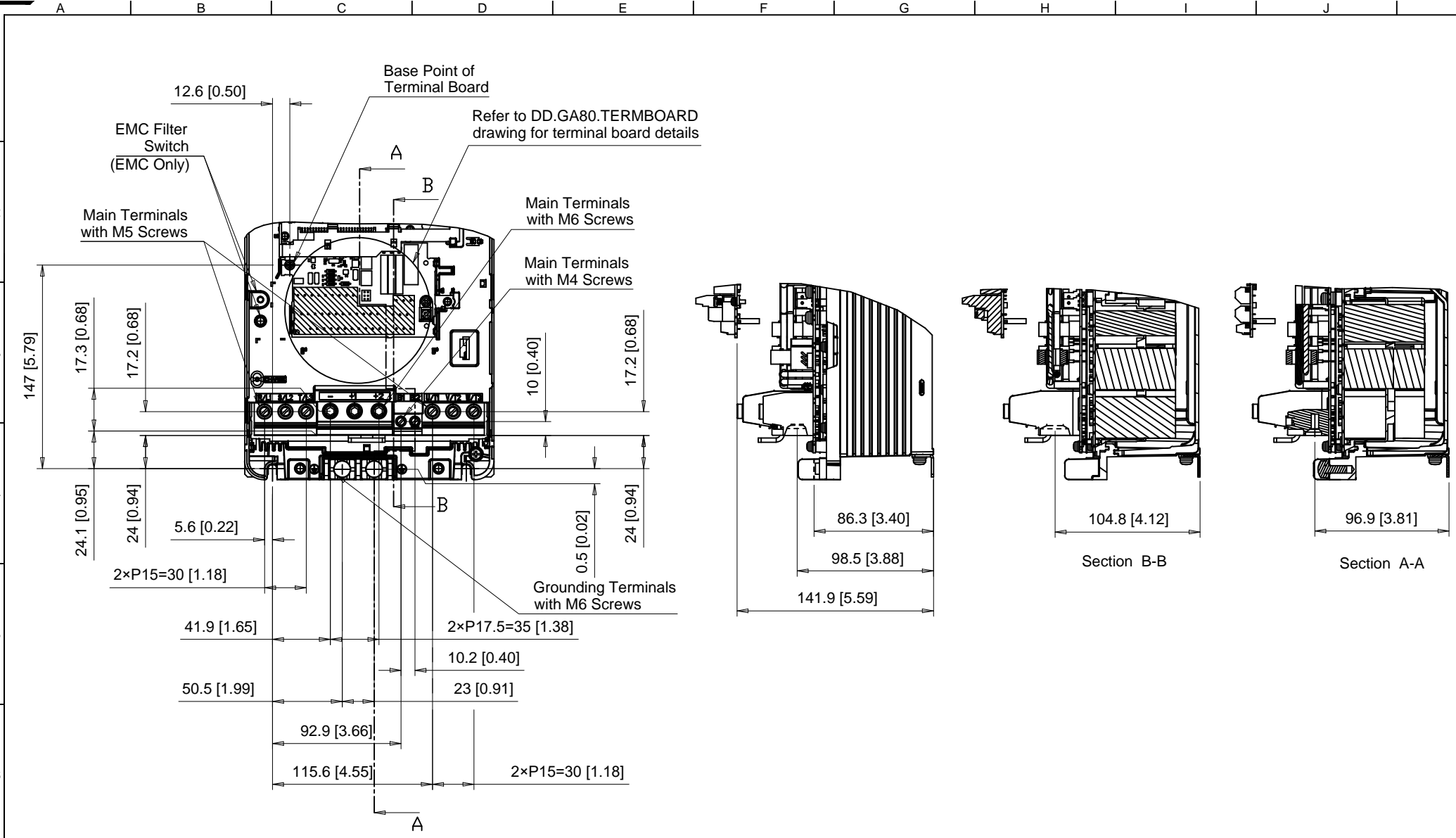
Detail A
 Top mounting hole dimensions
 Scale 1:1



| C/C: | INPUT VOLTAGE | WEIGHT | COOLING |
|---------|---------------|------------|---------|
| GA80□ | 3-PHASE (VAC) | Kg (lb) | FANS |
| 2056□□□ | 200 TO 240 | 6.0 (13.2) | 2 |
| 4031□□□ | 380 TO 480 | 6.0 (13.2) | 2 |
| 4038□□□ | | 6.0 (13.2) | 2 |

□ denotes A-Z

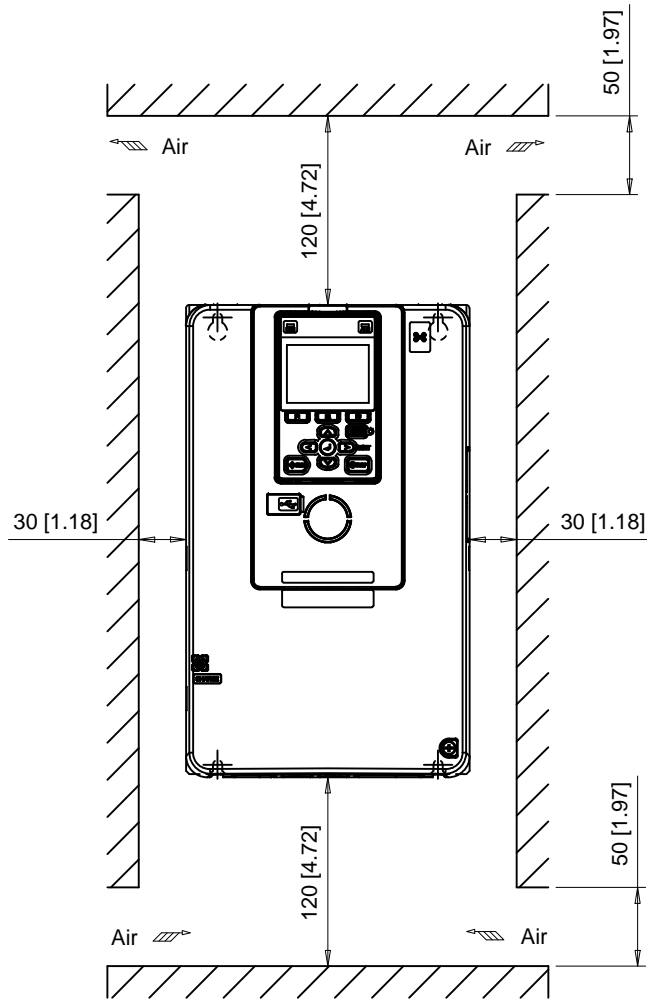
| | | | | | | |
|----------------|---------------|----------------------------|-------------------------------|--------------------------|-------------|-------|
| YASKAWA | | DRWN. J. MATTAS 6-27-18 | TITLE GA800 DIMENSION DRAWING | SIZE A | PAGE 1 OF 3 | REV 0 |
| | UNITS MM [IN] | CHKD. J. PIOTROWSKI 7-9-18 | FRAME SIZE 2 | DWG.NO. DD.GA80.FR2.IP20 | | |
| | SCALE 1:5 | TECH. L. UDDIN 7-16-18 | IP20 ENCLOSURE | | | |
| | | APRV. J. CAIRO 8-21-18 | | | | |



| C/C: GA80□ | TERMINAL SYMBOL | WIRE RANGE AWG (mm ²) | TERMINAL SCREW | CLAMPING TORQUE N.m. (lb.in.) |
|---------------|--------------------|--------------------------------------|-------------------|----------------------------------|
| 2056□□□ | R/L1, S/L2, T/L3 | 8 - 2 (10 - 35) | M5 | 4.1 - 4.5 (36 - 40) |
| 4031□□□ | U/T1, V/T2, W/T3 | 8 - 2 (10 - 35) | M5 | 4.1 - 4.5 (36 - 40) |
| 4038□□□ | -, +1, +2 | 14 - 2/0 (10 - 70) | M6 | 5 - 5.5 (45 - 49) |
| | B1, B2 | 14 - 6 (2.5 - 16) | M4 | 1.5 - 1.7 (13.5 - 15) |
| | ⊕ | 10 - 6 (6 - 16) | M6 | 5.4 - 6.0 (47.8 - 53.1) |

□ Denotes A-Z
 Note: Refer to applicable codes and standards for proper wire type and size.

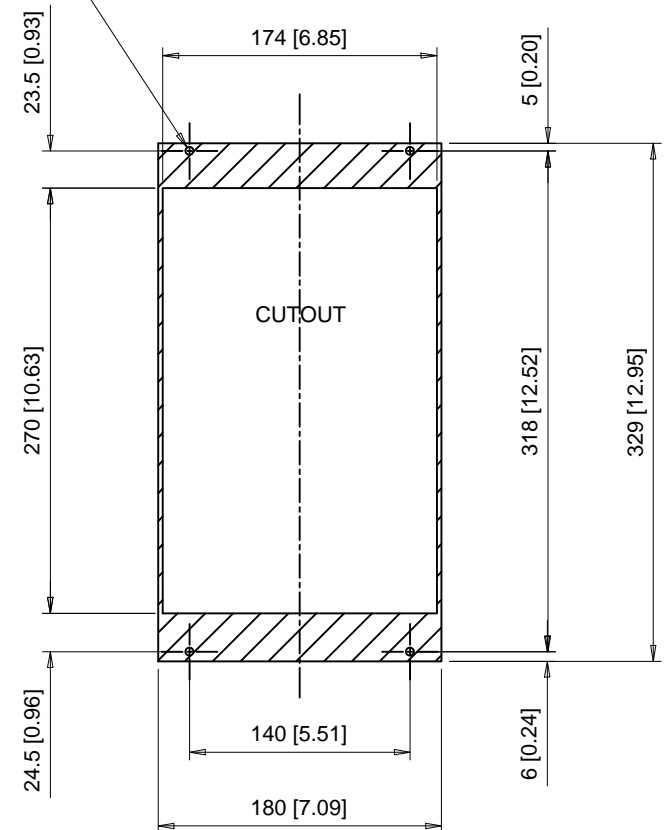
Minimum Installation Clearances



Note:
For alternate mounting configurations, consult manual.

Panel Cutout
For External Heatsink Mounting Configuration

(4) - M5 [#10]
Tapped Hole



Notes:
Exposed heatsink minimum clearance D = 73 [2.87].
Refer to external heatsink instructions document for additional details.

YASKAWA

UNITS MM [IN]
SCALE 1:5

DRWN. J. MATTAS 6-27-18
CHKD. J. PIOTROWSKI 7-9-18
TECH. L. UDDIN 7-16-18
APRV. J. CAIRO 8-21-18

TITLE
GA800 DIMENSION DRAWING
FRAME SIZE 2
IP20 ENCLOSURE

SIZE A PAGE 3 OF 3
DWG.NO.
DD.GA80.FR2.IP20

REV
0