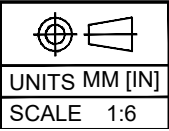


C/C: GA80□	INPUT VOLTAGE 3-PHASE (VAC)	WEIGHT Kg (lb)	COOLING FANS
4060□□□	380 TO 480	13 (28.6)	2

□ denotes A-Z

2	CORRECTED DIMS P1
1	REVISED MOUNTING BKTS P2
0	INITIAL RELEASE

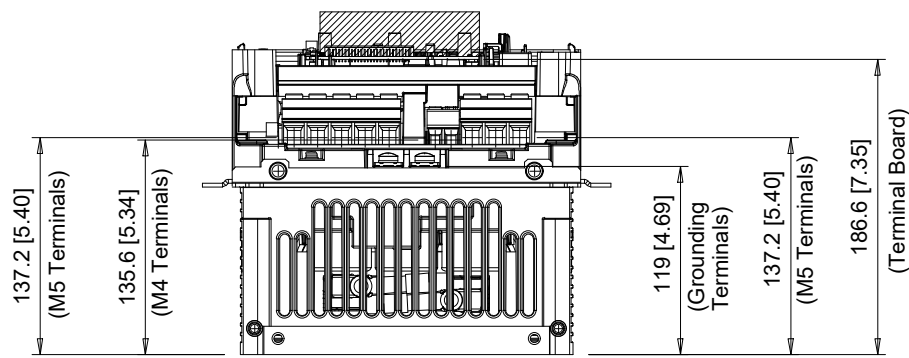
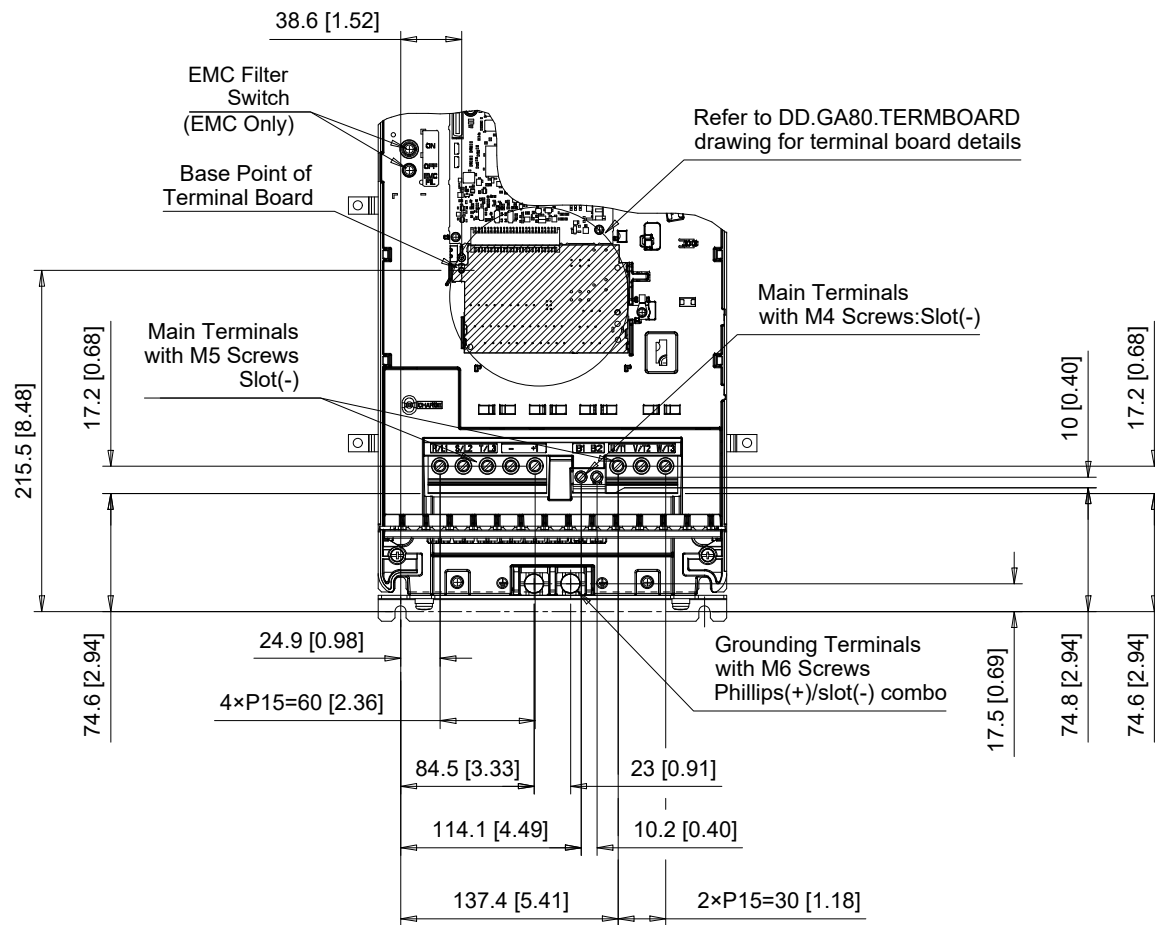


DRWN.	J. MATTAS	4-5-19
CHKD.	J. PIOTROWSKI	5-6-19
TECH.	L. UDDIN	5-20-19
APRV.	J. CAIRO	6-13-19

TITLE
GA800 DIMENSION DRAWING
FRAME SIZE 3.5
BACKSIDE TYPE 12 ENCLOSURE

SIZE	A	PAGE	1 OF 3
DWG.NO.	DD.GA80.FR3.5.FLNG		

REV
2



C/C:	TERMINAL SYMBOL	WIRE RANGE AWG (mm ²)	TERMINAL SCREW	CLAMPING TORQUE N.m. (lb.in.)
GA80□	R/L1, S/L2, T/L3	8 - 2 (10 - 35)	M5	4.1 - 4.5 (36 - 40)
4060□□	U/T1, V/T2, W/T3	8 - 2 (10 - 35)	M5	4.1 - 4.5 (36 - 40)
	-, +1	8 - 2 (10 - 35)	M5	4.1 - 4.5 (36 - 40)
	B1, B2	14 - 6 (2.5 - 16)	M4	1.5 - 1.7 (13.5 - 15)
	⊕	8 - 4 (10 - 25)	M6	5.4 - 6.0 (47.8 - 53.1)

□ Denotes A-Z

Note: Refer to applicable codes and standards for proper wire type and size.

2	CORRECTED DIMS P1
1	REVISED MOUNTING BKTS P2
0	INITIAL RELEASE

YASKAWA

	DRWN. J. MATTAS	4-5-19
UNITS MM [IN]	CHKD. J. PIOTROWSKI	5-6-19
SCALE 1:5	TECH. L. UDDIN	5-20-19
	APRV. J. CAIRO	6-13-19

DRWN. J. MATTAS	4-5-19
CHKD. J. PIOTROWSKI	5-6-19
TECH. L. UDDIN	5-20-19
APRV. J. CAIRO	6-13-19

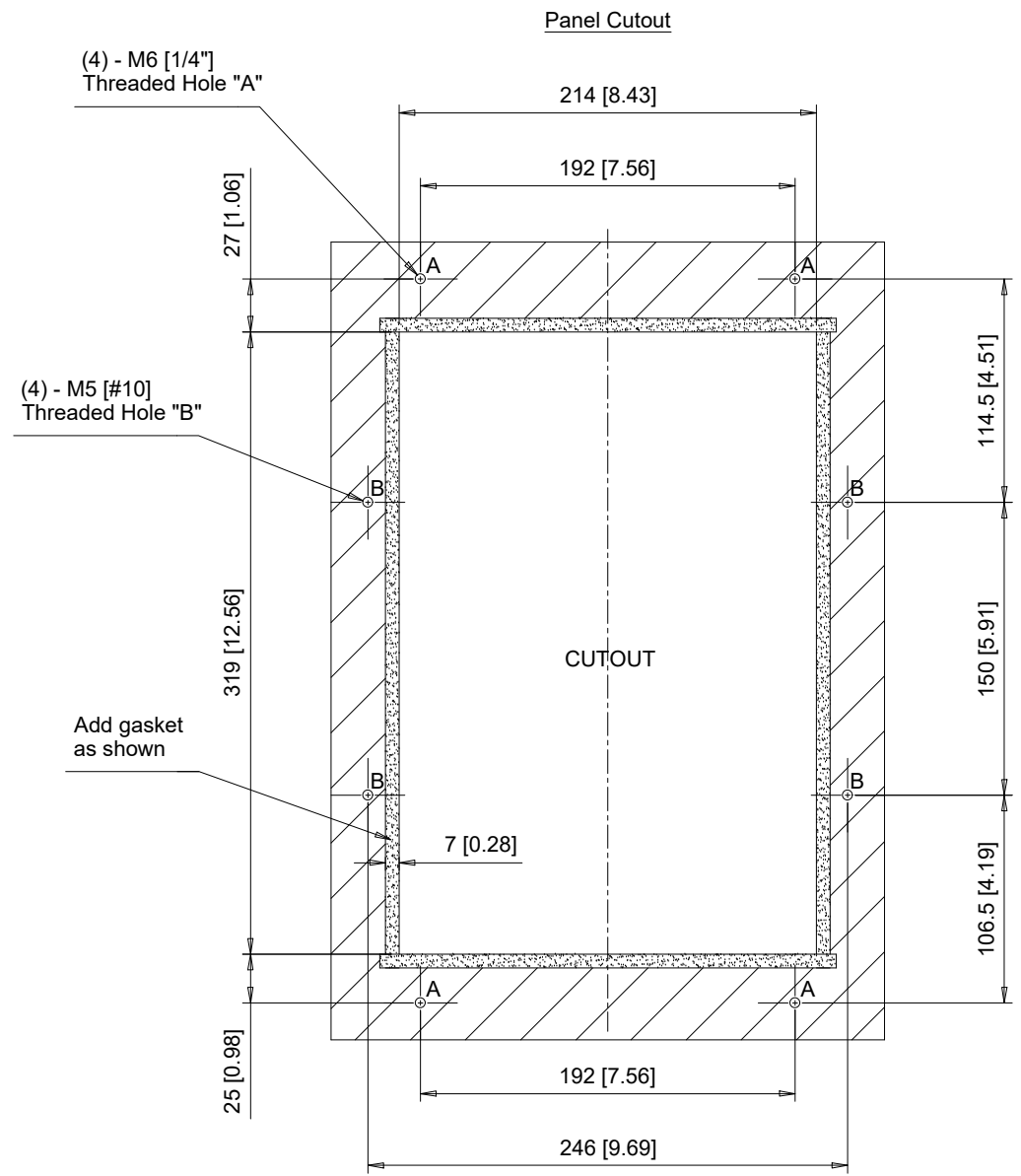
TITLE	GA800 DIMENSION DRAWING
	FRAME SIZE 3.5
	BACKSIDE TYPE 12 ENCLOSURE

SIZE	A	PAGE	2 OF 3
DWG.NO.	DD.GA80.FR3.5.FLNG		

REV	2
-----	---

A B C D E F G H I J

1
2
3
4
5
6
7
8



Notes:
Exposed heatsink minimum clearance D = 111 [4.37].
Refer to Type 12 heatsink external installation manual for additional details.

2	CORRECTED DIMS P1
1	REVISED MOUNTING BKTS P2
0	INITIAL RELEASE



 UNITS MM [IN] SCALE 1:4	DRWN. J. MATTAS 4-5-19
	CHKD. J. PIOTROWSKI 5-6-19
	TECH. L. UDDIN 5-20-19
	APRV. J. CAIRO 6-13-19

TITLE
GA800 DIMENSION DRAWING
FRAME SIZE 3.5
BACKSIDE TYPE 12 ENCLOSURE

SIZE A	PAGE 3 OF 3
DWG.NO.	DD.GA80.FR3.5.FLNG

REV	2
-----	---