

C/C: GA80□	INPUT VOLTAGE 3-PHASE (VAC)	WEIGHT Kg (lb)	COOLING FANS
2138□□□	200 TO 240	25 (55.0)	2
4089□□□	380 TO 480	22 (48.5)	2
4103□□□		27 (59.4)	2

□ denotes A-Z

1	REV'D MOUNTING BKTS P2,3
0	INITIAL RELEASE



UNITS MM [IN]
 SCALE 1:8

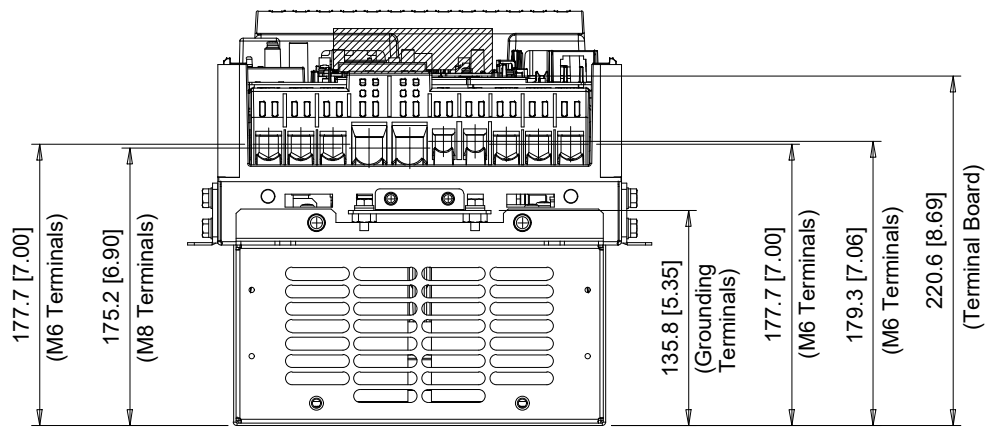
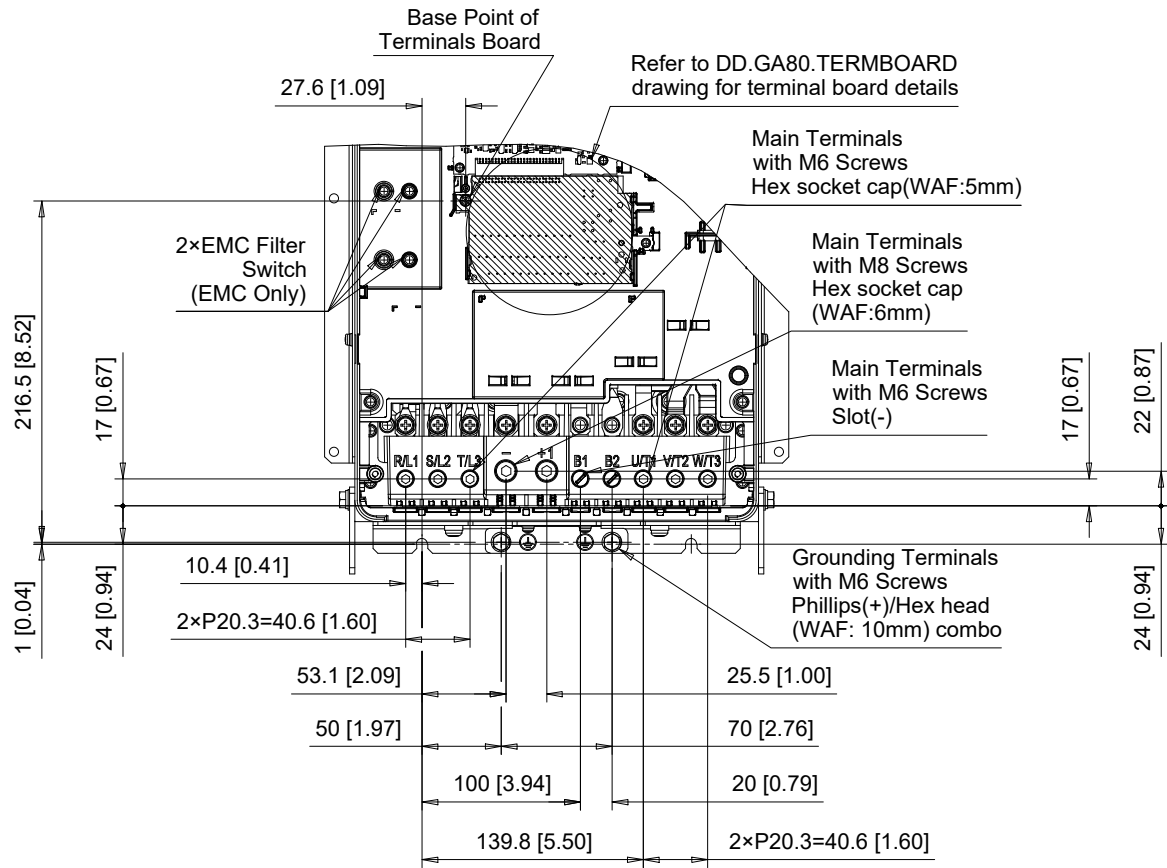
DRWN.	J. MATTAS	4-8-19
CHKD.	J. PIOTROWSKI	5-6-19
TECH.	L. UDDIN	5-20-19
APRV.	J. CAIRO	6-13-19

TITLE
 GA800 DIMENSION DRAWING
 FRAME SIZE 6
 BACKSIDE TYPE 12 ENCLOSURE

SIZE	A	PAGE	1 OF 4
DWG.NO.	DD.GA80.FR6.FLNG		

REV 1

Terminal and Wiring Information for GA80□2138 and GA80□4103



C/C: GA80□	TERMINAL SYMBOL	WIRE RANGE AWG (mm ²)	TERMINAL SCREW	CLAMPING TORQUE N.m. (lb.in.)
2138□□□	R/L1, S/L2, T/L3	6 - 2/0 (16 - 70)	M6	8 - 9 (71 - 80)
4103□□□	U/T1, V/T2, W/T3	6 - 2/0 (16 - 70)	M6	8 - 9 (71 - 80)
	-, +1	2 - 4/0 (35 - 120)	M8	10 - 12 (89 - 107)
	B1, B2	14 - 2 (2.5 - 35)	M6	3.0 - 3.5 (27 - 31)
	⊕	6 - 4 (16 - 25)	M6	5.4 - 6.0 (47.8 - 53.1)

□ Denotes A-Z

Note: Refer to applicable codes and standards for proper wire type and size.

1	REV'D MOUNTING BKTS P2,3
0	INITIAL RELEASE



UNITS MM [IN]
SCALE 1:5

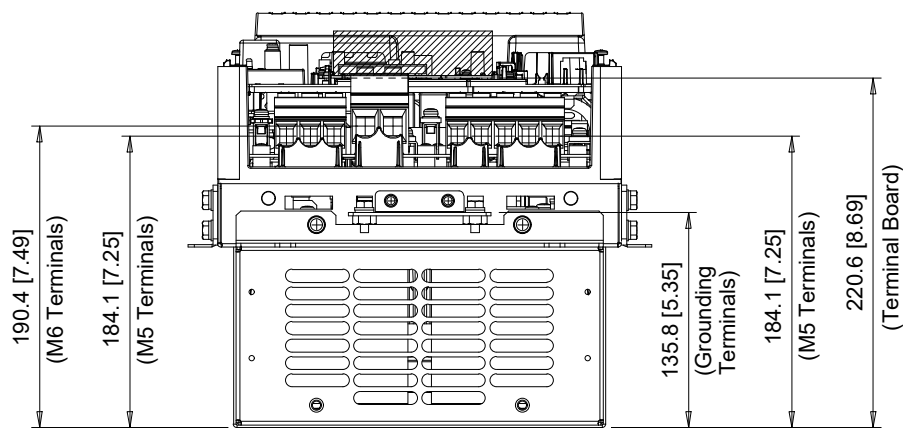
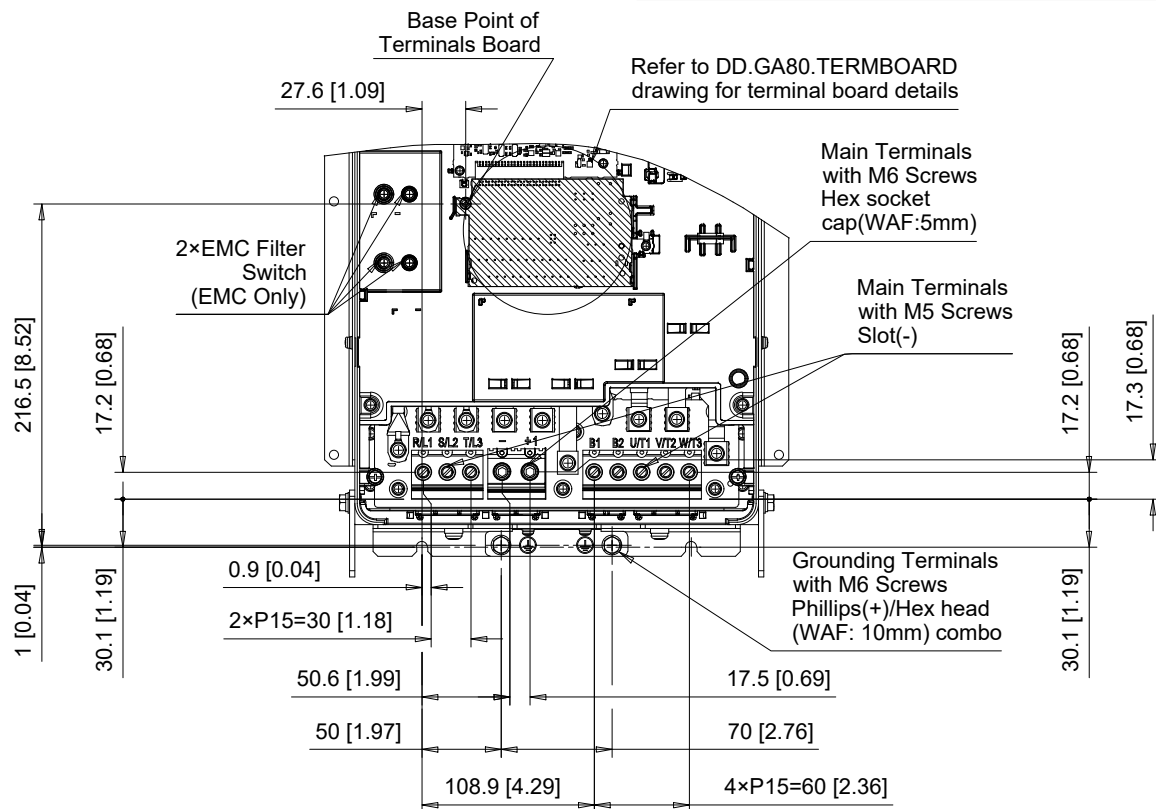
DRWN.	J. MATTAS	4-8-19
CHKD.	J. PIOTROWSKI	5-6-19
TECH.	L. UDDIN	5-20-19
APRV.	J. CAIRO	6-13-19

TITLE
GA800 DIMENSION DRAWING
FRAME SIZE 6
BACKSIDE TYPE 12 ENCLOSURE

SIZE	A	PAGE	2 OF 4
DWG.NO.	DD.GA80.FR6.FLNG		

REV
1

Terminal and Wiring Information for GA80□4089



C/C: GA80□	TERMINAL SYMBOL	WIRE RANGE AWG (mm ²)	TERMINAL SCREW	CLAMPING TORQUE N.m. (lb.in.)
4089□□	R/L1, S/L2, T/L3	8 - 2 (10 - 35)	M5	4.1 - 4.5 (36 - 40)
	U/T1, V/T2, W/T3	8 - 2 (10 - 35)	M5	4.1 - 4.5 (36 - 40)
	-, +1	14 - 2/0 (2.5 - 70)	M6	5.0 - 5.5 (45 - 49)
	B1, B2	8 - 2 (10 - 35)	M5	4.1 - 4.5 (36 - 40)
	⊕	6 - 4 (16 - 25)	M6	5.4 - 6.0 (47.8 - 53.1)

□ Denotes A-Z

Note: Refer to applicable codes and standards for proper wire type and size.

1	REV'D MOUNTING BKTS P2,3
0	INITIAL RELEASE

YASKAWA

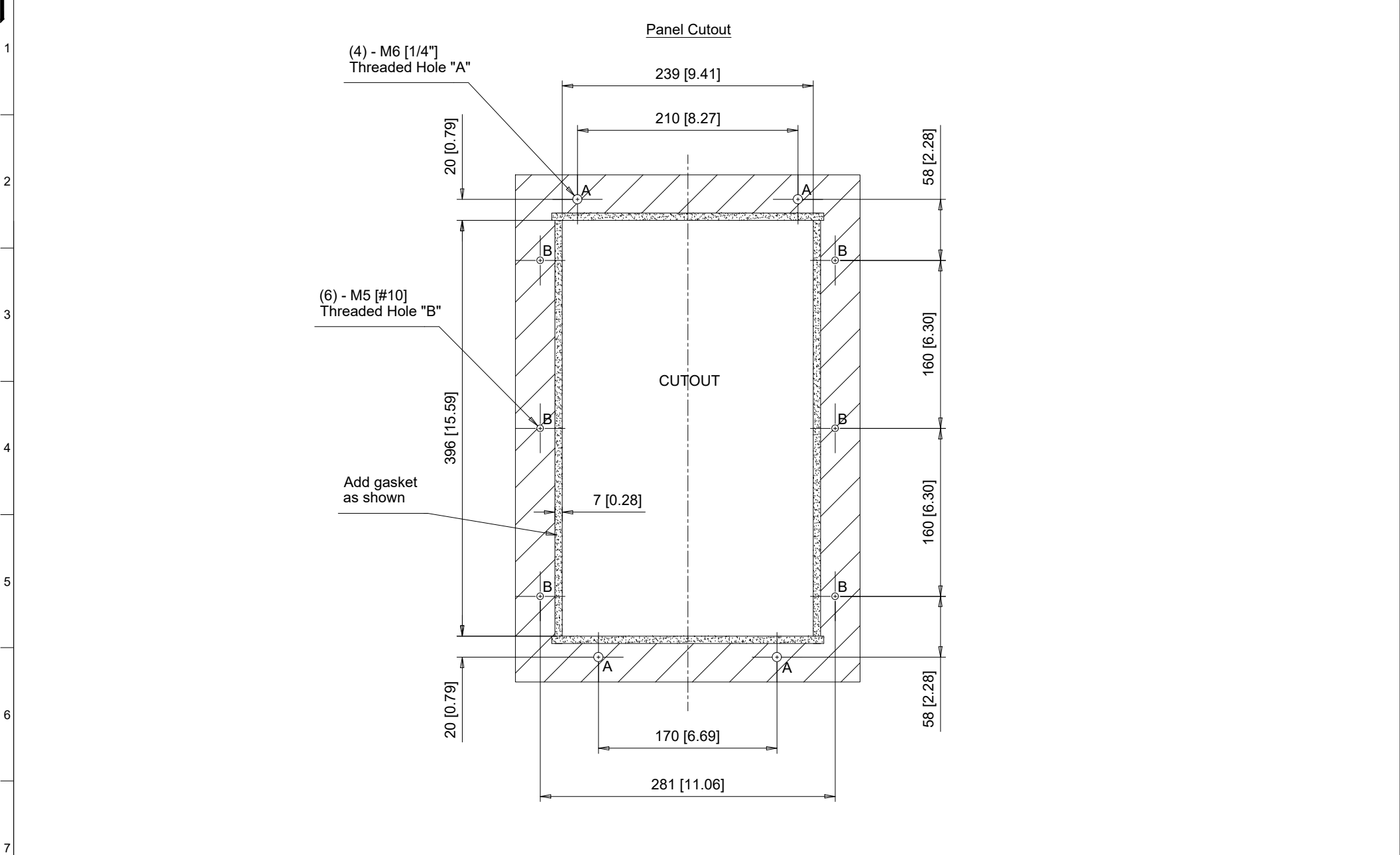
	DRWN. J. MATTAS	4-8-19
UNITS MM [IN]	CHKD. J. PIOTROWSKI	5-6-19
SCALE 1:5	TECH. L. UDDIN	5-20-19
	APRV. J. CAIRO	6-13-19

DRWN. J. MATTAS	4-8-19
CHKD. J. PIOTROWSKI	5-6-19
TECH. L. UDDIN	5-20-19
APRV. J. CAIRO	6-13-19

TITLE	GA800 DIMENSION DRAWING
	FRAME SIZE 6
	BACKSIDE TYPE 12 ENCLOSURE

SIZE	A	PAGE	3 OF 4
DWG.NO.	DD.GA80.FR6.FLNG		

REV	1
-----	---



Notes:
 Exposed heatsink minimum clearance D = 119 [4.69].
 Refer to Type 12 heatsink external installation manual for additional details.

		YASKAWA		DRWN. J. MATTAS	4-8-19	TITLE GA800 DIMENSION DRAWING FRAME SIZE 6 BACKSIDE TYPE 12 ENCLOSURE	SIZE A	PAGE 4 OF 4	REV	
				UNITS MM [IN]	CHKD. J. PIOTROWSKI		5-6-19	DWG.NO.		1
1	REV'D MOUNTING BKTS P2,3			SCALE 1:5	TECH. L. UDDIN		5-20-19	DD.GA80.FR6.FLNG		
0	INITIAL RELEASE				APRV. J. CAIRO		6-13-19			