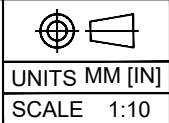


Detail A
 Top mounting hole dimensions
 Scale 1:1

C/C: GA80□	INPUT VOLTAGE 3-PHASE (VAC)	WEIGHT Kg (lb)	COOLING FANS
T208□□□	380 TO 480	59 (129.8)	2
T250□□□		60 (132.0)	2
T302□□□		61 (134.2)	2

□ denotes A-Z

YASKAWA

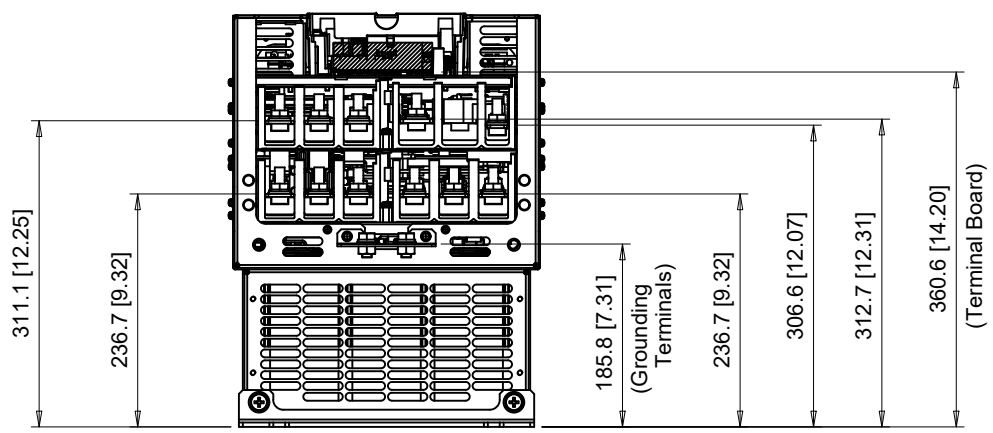
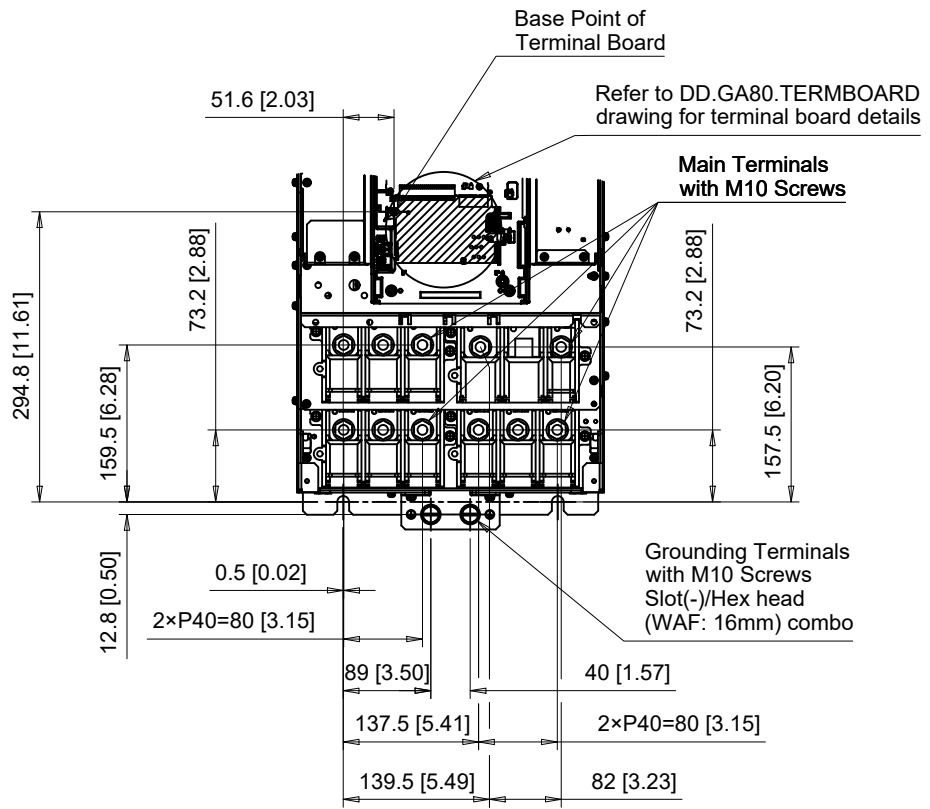


DRWN.	J. MATTAS	12-9-19
CHKD.	J. PIOTROWSKI	1-17-20
TECH.	L. UDDIN	1-24-20
APRV.	J. CAIRO	2-25-20

TITLE
 GA800 12 PULSE DIMENSION DRAWING
 FRAME SIZE 9
 IP00 ENCLOSURE

SIZE A
 PAGE 1 OF 3
 DWG.NO.
 DD.GA80.FR9.IP00.12P

REV
 0

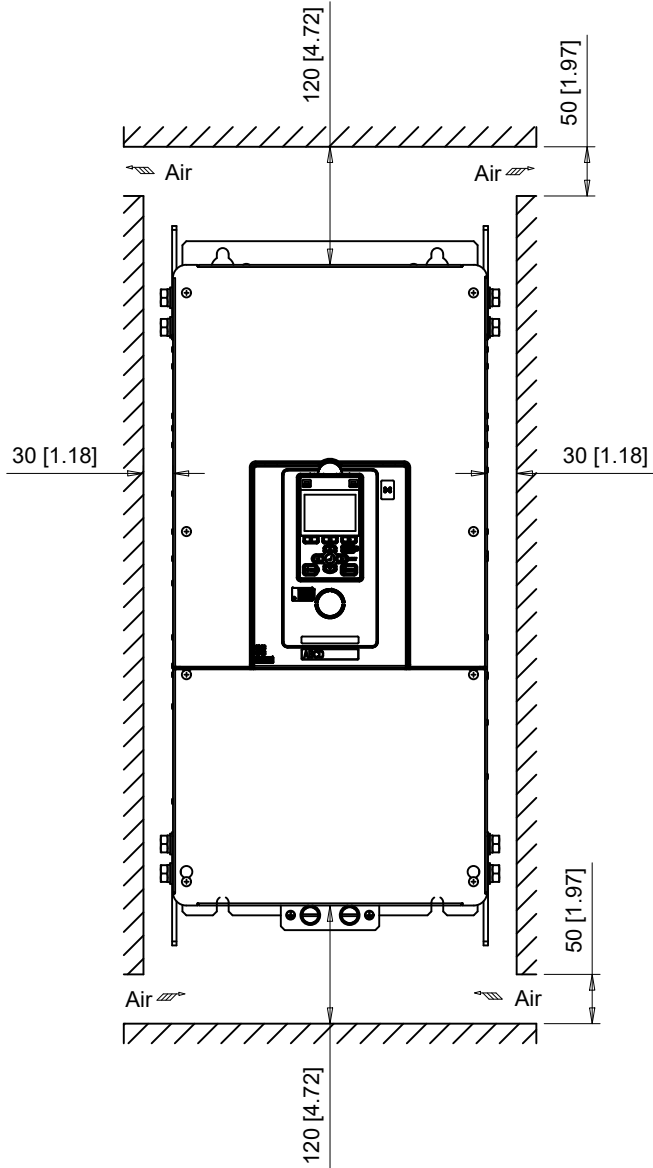


C/C: GA80□	TERMINAL SYMBOL	WIRE RANGE AWG (mm ²)	TERMINAL SCREW	CLAMPING TORQUE N.m. (lb.in.)
T208□□□	R/L1, S/L2, T/L3	3 - 4/0 x 2P (30 - 120 x 2P)	M10	20 (177)
T250□□□	R1/L11, S1/L21, T1/L31	3 - 4/0 x 2P (30 - 120 x 2P)	M10	20 (177)
T302□□□	U, V, W	3 - 4/0 x 2P (30 - 120 x 2P)	M10	20 (177)
	-, +3	2 - 250 x 2P (35 - 120 x 2P)	M10	20 (177)
	⊕	2 - 350 (35 - 185)	M10	18 - 23 (159 - 204)

□ Denotes A-Z

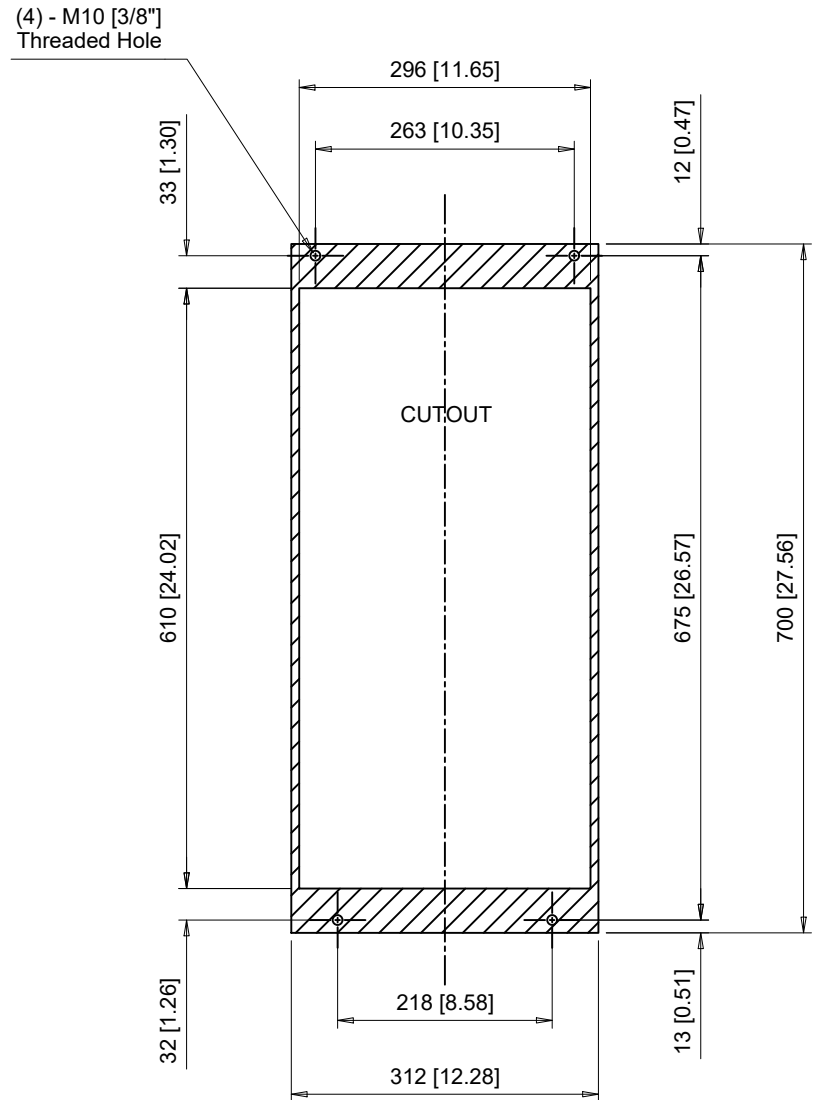
Note: Refer to applicable codes and standards for proper wire type and size.

Minimum Installation Clearances



Note:
For alternate mounting configurations, consult manual.

Panel Cutout
For External Heatsink Mounting Configuration



Notes:
Exposed heatsink minimum clearance D = 165 [6.50].
Refer to external heatsink instructions document for additional details.

YASKAWA

UNITS MM [IN]
SCALE 1:8

DRWN.	J. MATTAS	12-9-19
CHKD.	J. PIOTROWSKI	1-17-20
TECH.	L. UDDIN	1-24-20
APRV.	J. CAIRO	2-25-20

TITLE
GA800 12 PULSE DIMENSION DRAWING FRAME SIZE 9 IP00 ENCLOSURE

SIZE A	PAGE 3 OF 3
DWG.NO.	DD.GA80.FR9.IP00.12P

REV
0