

Detail A
Top mounting hole dimensions
Scale 1:1

The dimensions shown are for an IP20 Type Drive that has been converted to a NEMA Type 1 Drive by adding the parts from NEMA 1 Kit part number 900-192-121-009

C/C: GA80□	INPUT VOLTAGE 3-PHASE (VAC)	WEIGHT Kg (lb)	COOLING FANS
2257□□□	200 TO 240	72 (158.7)	2
2313□□□		72 (158.7)	2
4208□□□	380 TO 480	79 (174.2)	2
4250□□□		79 (174.2)	2
4302□□□		79 (174.2)	2

□ denotes A-Z

1	REVISED KIT PART NUMBER
0	INITIAL RELEASE

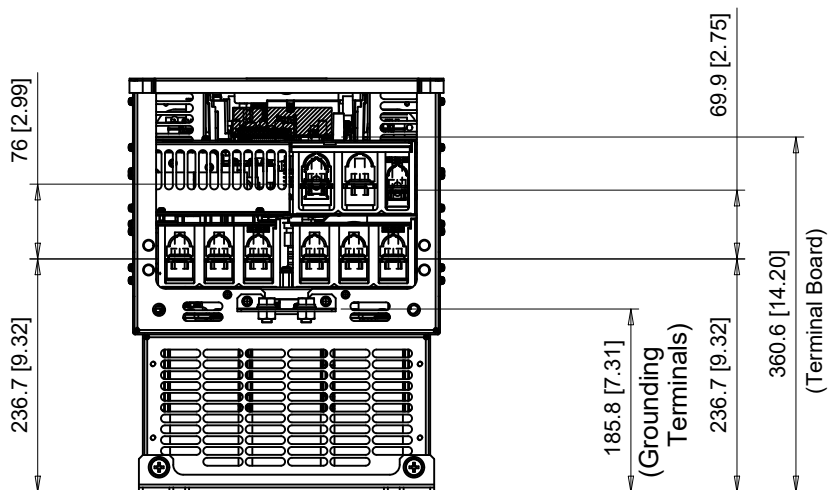
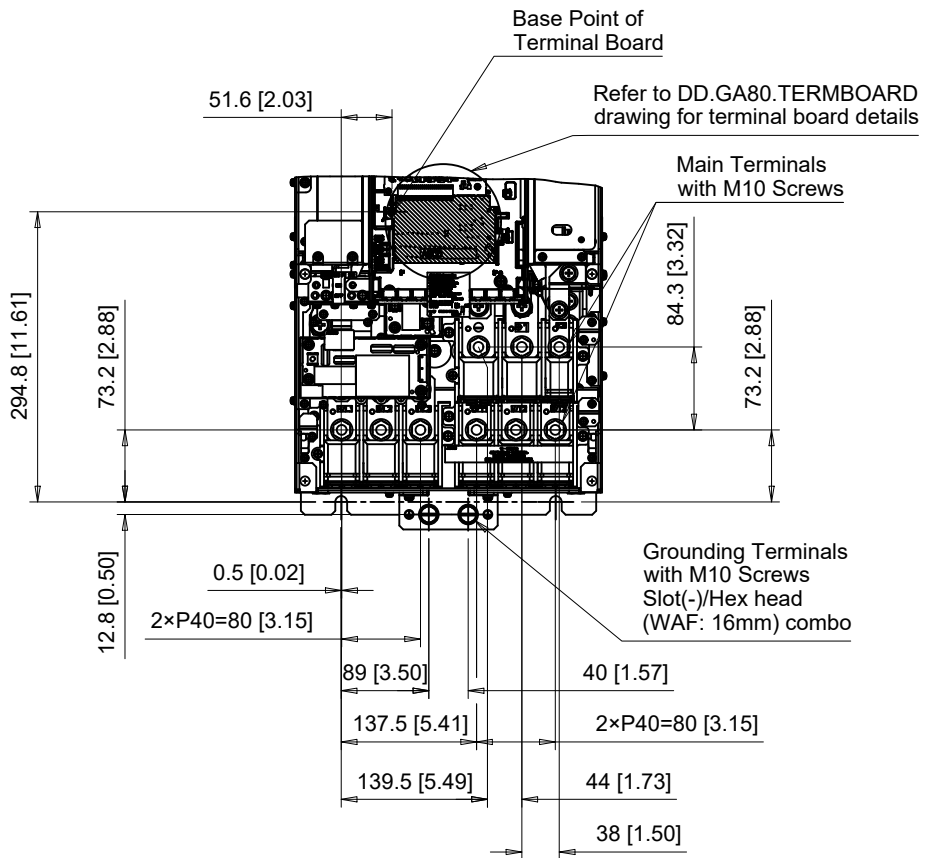


	UNITS MM [IN]
	SCALE 1:12

DRWN.	J. MATTAS	6-28-18
CHKD.	J. PIOTROWSKI	7-9-18
TECH.	L. UDDIN	7-16-18
APRV.	J. CAIRO	8-21-18

TITLE	GA800 DIMENSION DRAWING FRAME SIZE 9 NEMA TYPE 1 ENCLOSURE
-------	--

SIZE	A	PAGE	1 OF 3	REV	1
DWG.NO.	DD.GA80.FR9.N1				



C/C: GA80□	TERMINAL SYMBOL	WIRE RANGE AWG (mm ²)	TERMINAL SCREW	CLAMPING TORQUE N.m. (lb.in.)
2257□□□	R/L1, S/L2, T/L3	3 - 4/0 x 2P (30 - 120 x 2P)	M10	20 (177)
2313□□□	U/T1, V/T2, W/T3	3 - 4/0 x 2P (30 - 120 x 2P)	M10	20 (177)
4208□□□	-, +1, +3	2 - 250 x 2P (35 - 120 x 2P)	M10	20 (177)
4250□□□	⊕	2 - 350 (35 - 185)	M10	18 - 23 (159 - 204)
4302□□□				

□ Denotes A-Z
 Note: Refer to applicable codes and standards for proper wire type and size.

1	REVISED KIT PART NUMBER
0	INITIAL RELEASE



UNITS MM [IN]
 SCALE 1:8

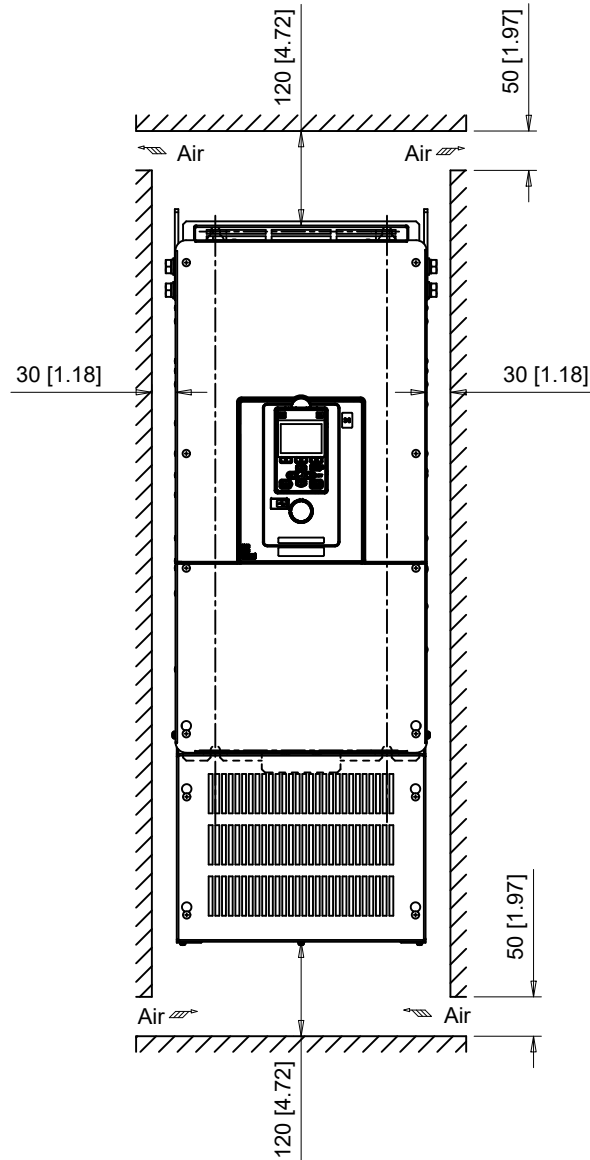
DRWN.	J. MATTAS	6-28-18
CHKD.	J. PIOTROWSKI	7-9-18
TECH.	L. UDDIN	7-16-18
APRV.	J. CAIRO	8-21-18

TITLE
 GA800 DIMENSION DRAWING
 FRAME SIZE 9
 NEMA TYPE 1 ENCLOSURE

SIZE	A	PAGE	2 OF 3
DWG.NO.		DD.GA80.FR9.N1	

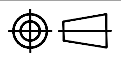
REV
 1

Minimum Installation Clearances (Scale 1:10)



Note:
For alternate mounting configurations, consult manual.

YASKAWA



UNITS MM [IN]
SCALE ABOVE

DRWN.	J. MATTAS	6-28-18
CHKD.	J. PIOTROWSKI	7-9-18
TECH.	L. UDDIN	7-16-18
APRV.	J. CAIRO	8-21-18

TITLE
GA800 DIMENSION DRAWING
FRAME SIZE 9
NEMA TYPE 1 ENCLOSURE

SIZE A PAGE 3 OF 3
DWG.NO.
DD.GA80.FR9.N1

REV
1

1	REVISED KIT PART NUMBER
0	INITIAL RELEASE