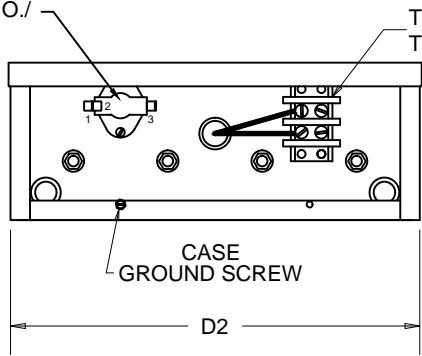


THERMOSTAT  
(SPDT- 1 & 2 ARE N.O./  
1 & 3 ARE N.C.)

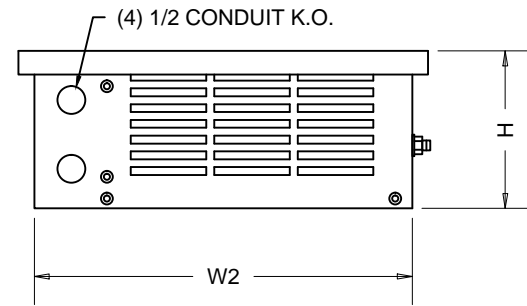
LEFT SIDE VIEW



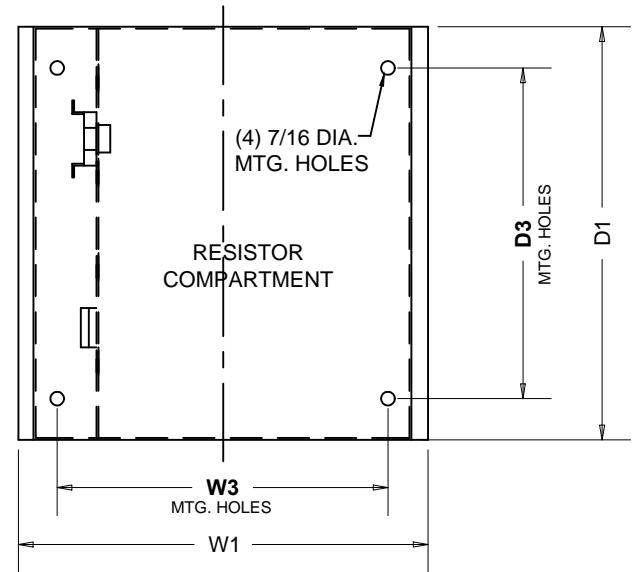
TWO, FOUR OR SIX POINT  
TERMINAL BLOCK

NOTE: ORIENTATION OF THERMOSTAT  
AND TERMINAL BLOCK MAY VARY

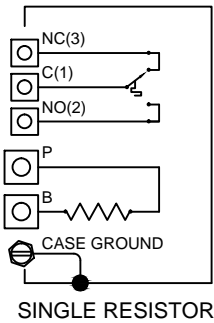
FRONT VIEW



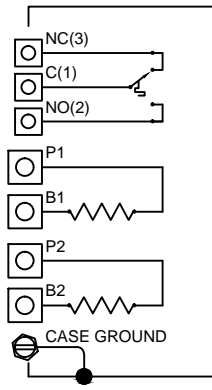
TOP VIEW



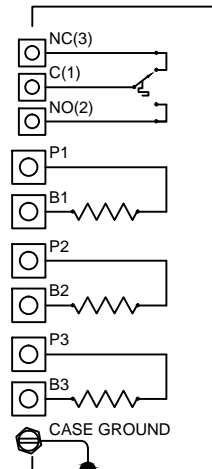
TERMINAL DESIGNATIONS



SINGLE RESISTOR



DOUBLE RESISTOR



TRIPLE RESISTOR

| ENCLOSURE | W1     | W2     | W3     | D1     | D2 | D3     | H  |
|-----------|--------|--------|--------|--------|----|--------|----|
| GCE1      | 12-1/2 | 12     | 10-1/2 | 5-1/8  | 5  | ---    | 5  |
| GCE2      | 12-1/2 | 12     | 10-1/2 | 7-1/8  | 7  | 4-1/2  | 5  |
| GCE3      | 12-1/2 | 12     | 10-1/2 | 10-1/8 | 10 | 7-1/2  | 5  |
| GCE4      | 12-1/2 | 12     | 10-1/2 | 13-1/8 | 13 | 10-1/2 | 5  |
| GCE5      | 12-1/2 | 12     | 10-1/2 | 16-1/8 | 16 | 13-1/2 | 5  |
| GCE6      | 19-1/2 | 19     | 17-1/2 | 10-1/8 | 10 | 7-1/2  | 5  |
| GCE8      | 19-1/2 | 19     | 17-1/2 | 13-1/8 | 13 | 10-1/2 | 5  |
| GCE9      | 27     | 26-1/2 | 25     | 10-1/8 | 10 | 7-1/2  | 5  |
| GCE10     | 19-1/2 | 19     | 17-1/2 | 16-1/8 | 16 | 13-1/2 | 5  |
| GCE12     | 27     | 26-1/2 | 25     | 13-1/8 | 13 | 10-1/2 | 5  |
| GCE15     | 27     | 26-1/2 | 25     | 10-1/8 | 16 | 13-1/2 | 5  |
| GCE18     | 28-1/2 | 28     | 26-1/2 | 10-1/8 | 10 | 7-1/2  | 10 |
| GCE24     | 28-1/2 | 28     | 26-1/2 | 13-1/8 | 13 | 10-1/2 | 10 |
| GCE30     | 28-1/2 | 28     | 26-1/2 | 16-1/8 | 16 | 13-1/2 | 10 |

**YASKAWA**



UNITS INCH  
SCALE NTS

DRWN. J. MATTAS 4-19-18  
CHKD. J. PIOTROWSKI 4-23-18  
TECH. L. UDDIN 4-24-18  
APRV. J. CAIRO 4-25-18

TITLE  
DIMENSION DRAWING  
BRAKING RESISTOR  
GCE ENCLOSURE

SIZE A  
PAGE 1 OF 1  
DWG.NO.  
DD.GCE.01

REV  
0