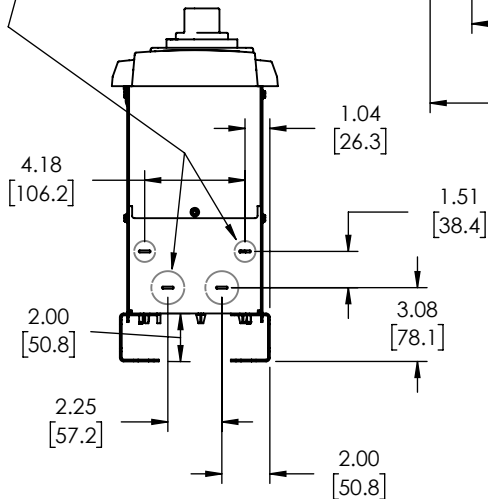


Ø.875 & Ø1.375 KNOCK-OUTS FOR BOTTOM CONDUIT ENTRANCE

Ø.875 & Ø1.375 KNOCK-OUTS FOR SIDE CONDUIT ENTRANCE (BOTH SIDES)



NOTES:

- A. FOR REFERENCE UNLESS PROPERLY ENDORSED. FOR ADDITIONAL DETAILS AND SPECIFICATIONS, CONSULT YASKAWA AMERICA, INC.
- B. DIMENSIONS ARE IN INCHES[MILLIMETERS].
- C. USE APPROPRIATE TYPE RATED HUBS OR FITTINGS TO MAINTAIN ENCLOSURE RATING.

YASKAWA

THIS DOCUMENT AND INFORMATION CONTAINED IN IT ARE CONFIDENTIAL AND CANNOT BE COPIED OR DISCLOSED IN WHOLE OR IN PART WITHOUT THE EXPRESS WRITTEN CONSENT OF YASKAWA AMERICA, INC.

UNITS: INCHES	SCALE: NONE	ORIGINAL DESIGN: D. Dahlman	DATE: 08/21/2018	TITLE: DIMENSION DRAWING, HV600, O/U, BYPASS, W2	
		DRAWN: D. Dahlman	DATE: 01/22/2020		
		CHECKED: D. Guckenberger	DATE: 01/23/2020	SIZE: A	REVISION: 00
		APPROVED: K. Flierl	DATE: 01/30/2020	DRAWING #:	PAGE: 1 OF 1