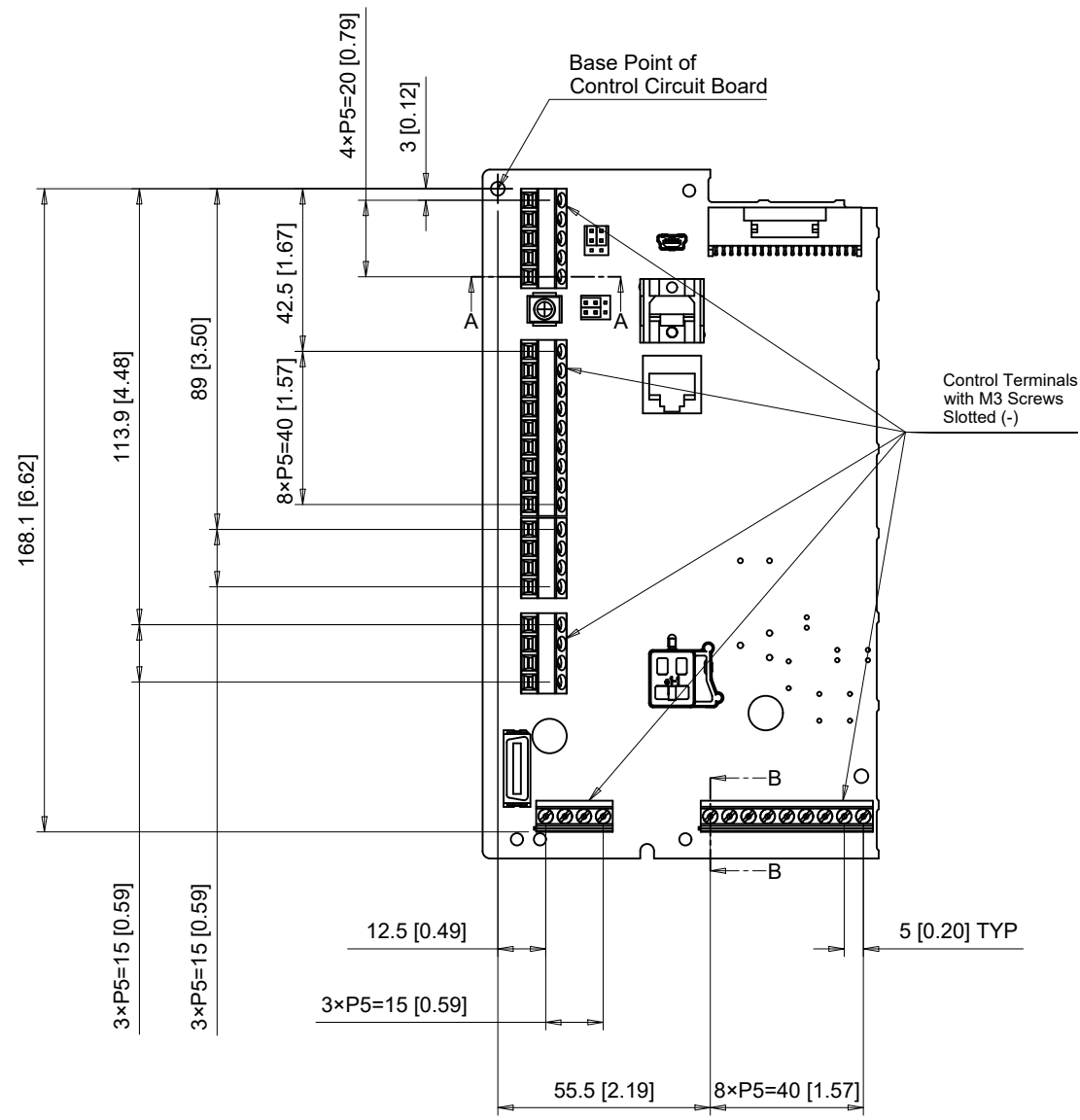


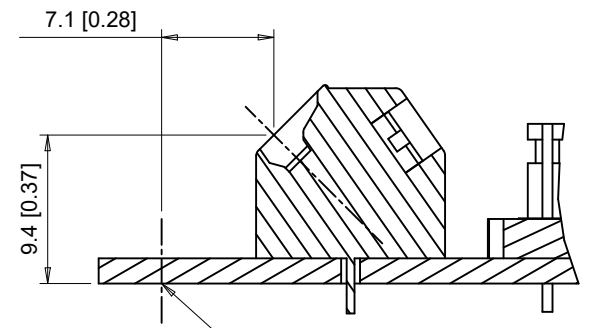
A B C D E F G H I J

1
2
3
4
5
6
7
8

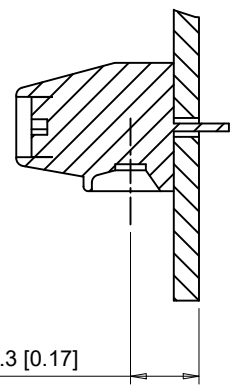


SCALE 1:2

MODEL	PART NUMBER	DESCRIPTION	PAGE
HV600	ETC75003X	HV600 Control Circuit Board, Type A	1



Section A-A
SCALE 2:1



Section B-B
SCALE 2:1

YASKAWA

UNITS MM [IN]
SCALE -

DRWN.	J. MATTAS	8-23-19
CHKD.	J. PIOTROWSKI	9-17-19
TECH.	L. UDDIN	10-7-19
APRV.	J. CAIRO	10-22-19

TITLE
HV600 DIMENSION DRAWING
CONTROL CIRCUIT BOARD

SIZE	A	PAGE	1 OF 1
DWG.NO.		DD.HV60.CONTROLBOARD	

REV
0