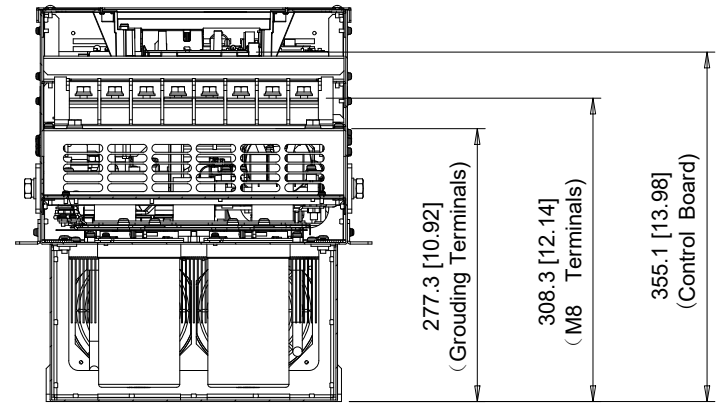
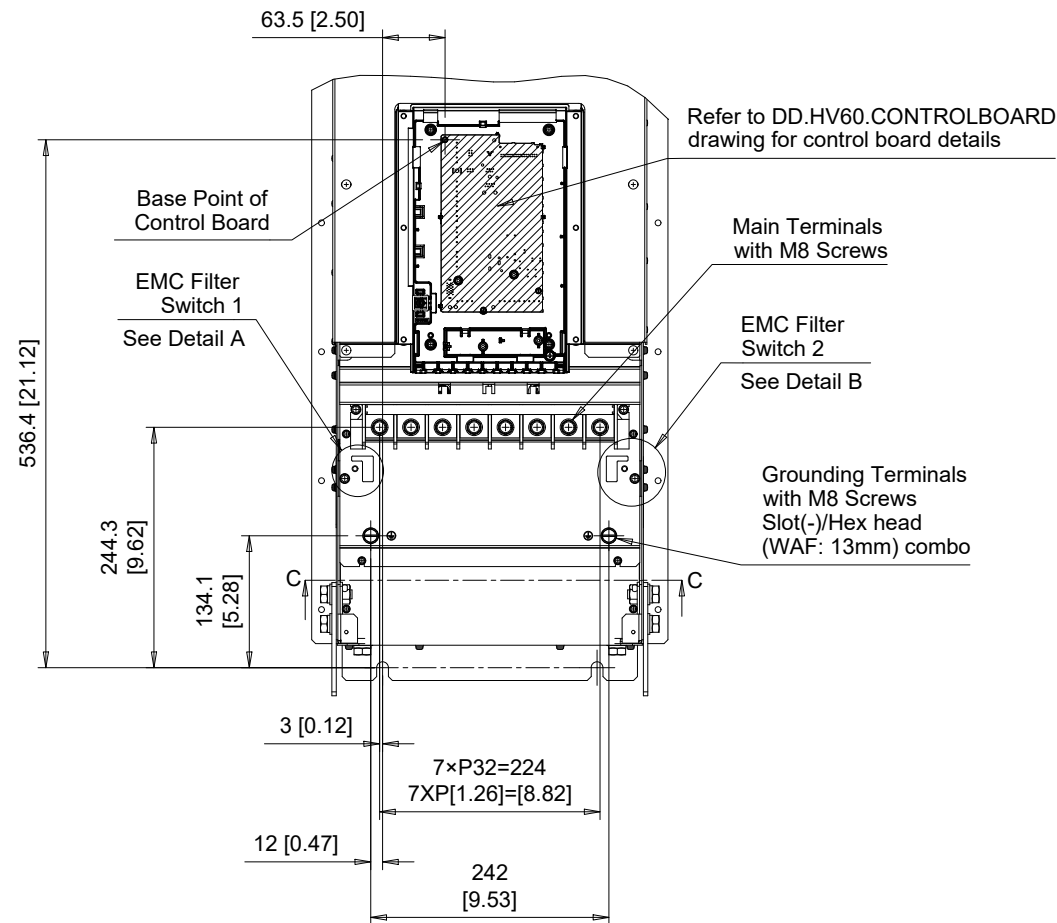


C/C: HV60□	INPUT VOLTAGE 3-PHASE (VAC)	WEIGHT Kg (lb)	COOLING FANS
2143□□□	200 TO 240	76 (167)	2
2169□□□	200 TO 240	78 (172)	2
4156□□□	380 TO 480	80 (176)	2

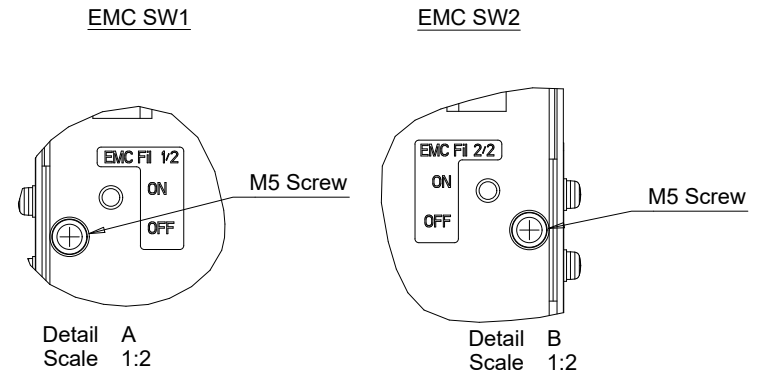
□ denotes A-Z

A B C D E F G H I J



Section C-C

EMC FILTER SWITCHES



C/C: HV60□	TERMINAL SYMBOL	WIRE RANGE AWG (mm ²)	TERMINAL SCREW	CLAMPING TORQUE N.m. (lb.in.)
2143□□□	R/L1, S/L2, T/L3	6 - 250 (16 - 120)	M8	15 (133)
2169□□□	U/T1, V/T2, W/T3	6 - 250 (16 - 120)	M8	15 (133)
4156□□□	-, +1	6 - 250 (16 - 120)	M8	15 (133)
	⊕	8 - 2/0 (10 - 70)	M8	9 - 11 (79.7 - 97.4)

□ Denotes A-Z

Note: Refer to applicable codes and standards for proper wire type and size.

YASKAWA

UNITS MM [IN]
SCALE 1:8

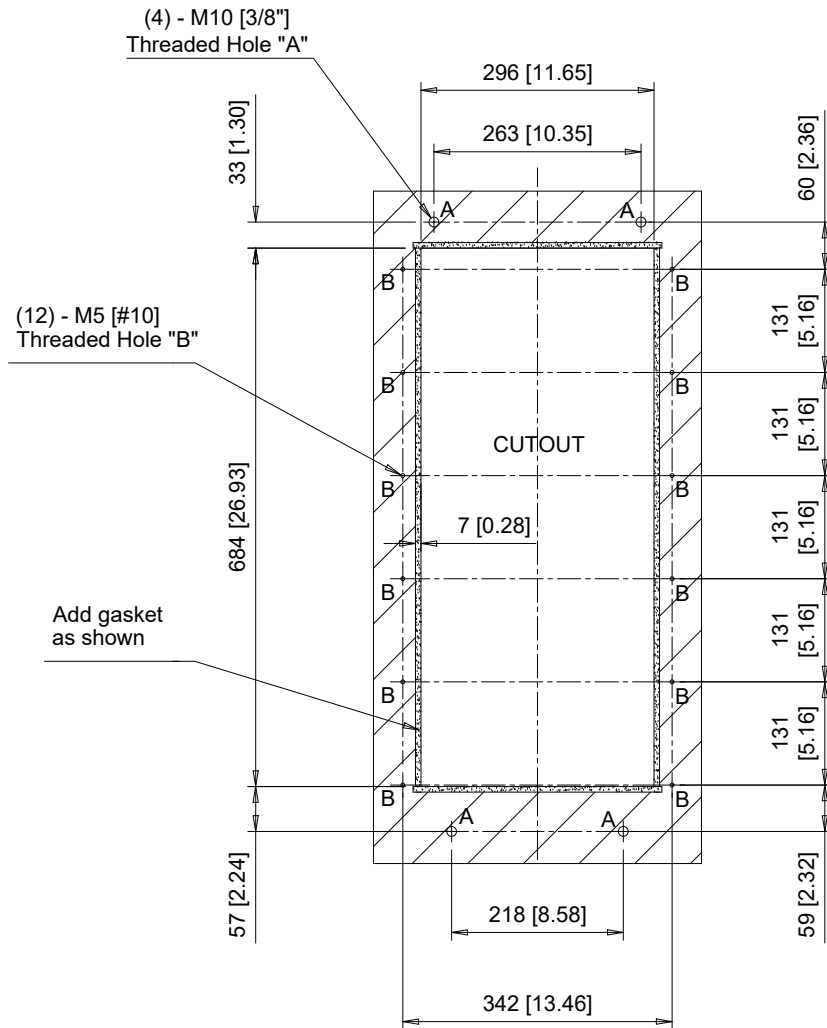
DRWN. J. MATTAS 2-21-20
CHKD. J. PIOTROWSKI 2-26-20
TECH. L. UDDIN 3-9-20
APRV. J. CAIRO 3-12-20

TITLE
HV600 DIMENSION DRAWING
FRAME SIZE 6
IP20/BACKSIDE TYPE 12 ENCLOSURE

SIZE A PAGE 2 OF 3
DWG.NO. DD.HV60.FR6.FLNG

REV 0

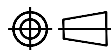
Panel Cutout



Notes:

Exposed heatsink minimum clearance D = 165 [6.50].
Refer to external heatsink instructions document for additional details.

YASKAWA



UNITS MM [IN]
SCALE 1:10

DRWN.	J. MATTAS	2-21-20
CHKD.	J. PIOTROWSKI	2-26-20
TECH.	L. UDDIN	3-9-20
APRV.	J. CAIRO	3-12-20

TITLE
HV600 DIMENSION DRAWING
FRAME SIZE 6
IP20/BACKSIDE TYPE 12 ENCLOSURE

SIZE	A	PAGE	3 OF 3
DWG.NO.	DD.HV60.FR6.FLNG		

REV
0