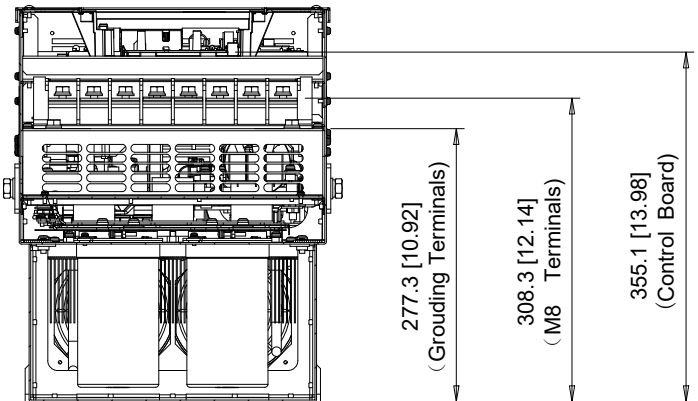
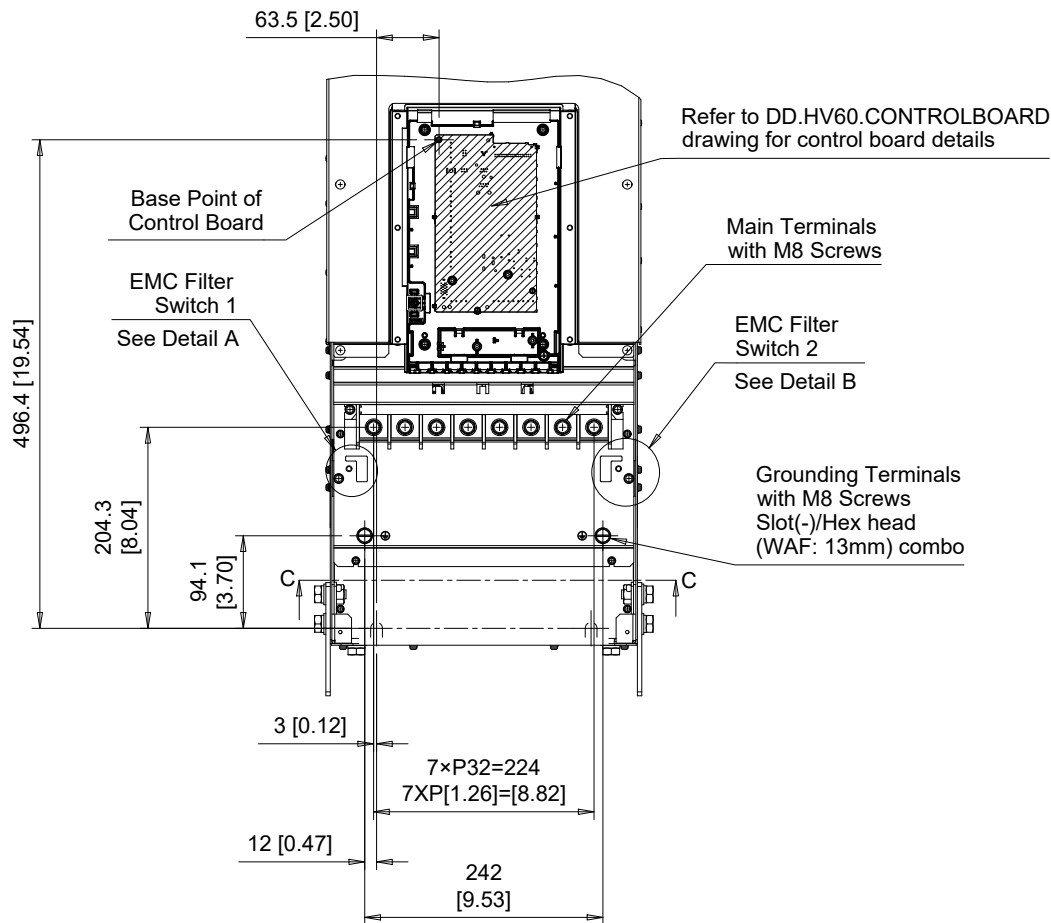


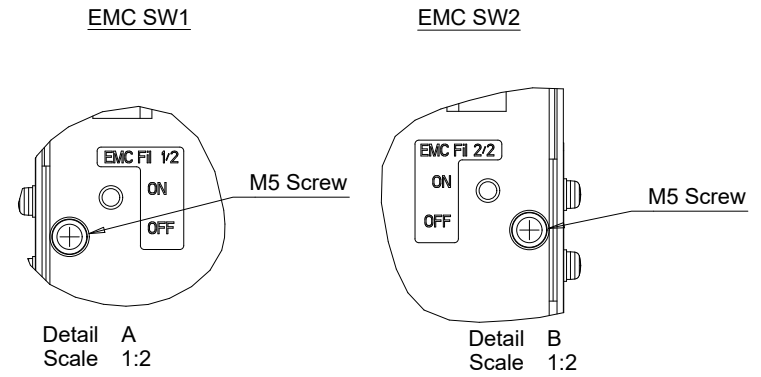
C/C: HV60□	INPUT VOLTAGE 3-PHASE (VAC)	WEIGHT Kg (lb)	COOLING FANS
2143□□□	200 TO 240	74 (163)	2
2169□□□		76 (168)	2
4156□□□	380 TO 480	78 (172)	2

□ denotes A-Z



Section C-C

EMC FILTER SWITCHES



C/C: HV600	TERMINAL SYMBOL	WIRE RANGE AWG (mm <sup>2</sup> )	TERMINAL SCREW	CLAMPING TORQUE N.m. (lb.in.)
2143	R/L1, S/L2, T/L3	6 - 250 (16 - 120)	M8	15 (133)
2169	U/T1, V/T2, W/T3	6 - 250 (16 - 120)	M8	15 (133)
4156	-, +1	6 - 250 (16 - 120)	M8	15 (133)
	⊕	8 - 2/0 (10 - 70)	M8	9 - 11 (79.7 - 97.4)

□ Denotes A-Z  
Note: Refer to applicable codes and standards for proper wire type and size.



UNITS MM [IN]  
SCALE 1:8

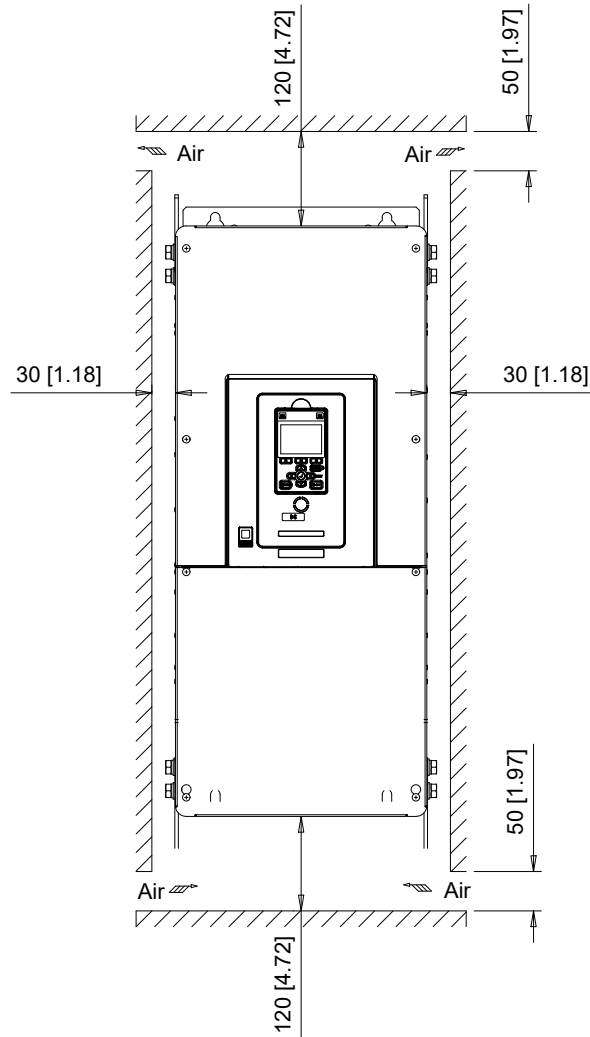
DRWN. J. MATTAS 2-20-20  
CHKD. J. PIOTROWSKI 2-26-20  
TECH. L. UDDIN 3-10-20  
APRV. J. CAIRO 3-12-20

TITLE  
HV600 DIMENSION DRAWING  
FRAME SIZE 6  
IP20/UL TYPE 1 ENCLOSURE

SIZE A PAGE 2 OF 3  
DWG.NO. DD.HV60.FR6.T1

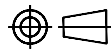
REV 0

Minimum Installation Clearances



Note:  
For alternate mounting configurations, consult manual.

**YASKAWA**



UNITS MM [IN]

SCALE 1:10

DRWN.	J. MATTAS	2-20-20
CHKD.	J. PIOTROWSKI	2-26-20
TECH.	L. UDDIN	3-10-20
APRV.	J. CAIRO	3-12-20

TITLE  
HV600 DIMENSION DRAWING  
FRAME SIZE 6  
IP20/UL TYPE 1 ENCLOSURE

SIZE A PAGE 3 OF 3

DWG.NO.  
DD.HV60.FR6.T1

REV

0