

(4) Mounting Holes for M10 [3/8"] Screws. See Detail A for top mounting hole dimensions.

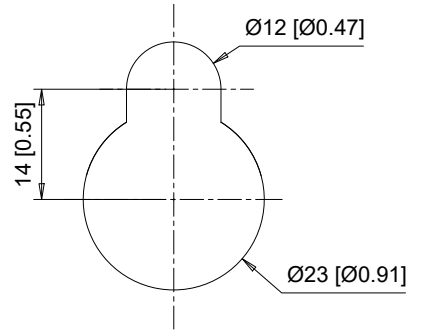
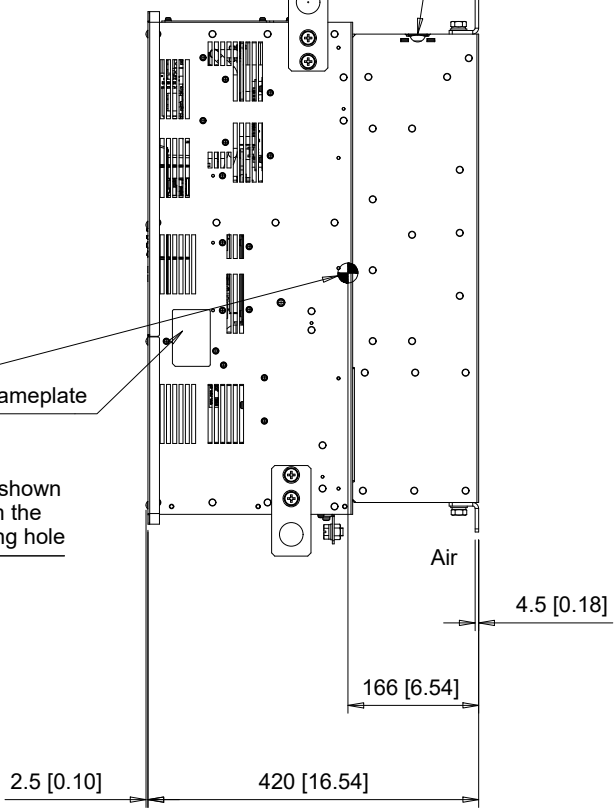
Note: Spreader bar required to avoid damage during lifting

(4)-Lifting Holes Ø30 [Ø1.18]

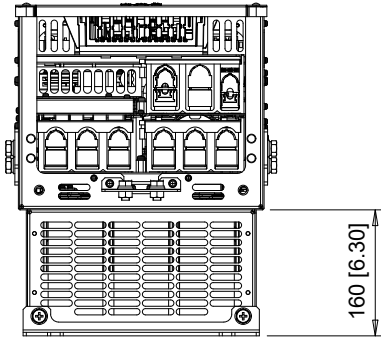
Cooling fan location

Nameplate

Center of Gravity
Note: Dimensions shown are measured from the bottom left mounting hole



Detail A
Top mounting hole dimensions
Scale 1:1



C/C: HV60□	INPUT VOLTAGE 3-PHASE (VAC)	WEIGHT Kg (lb)	COOLING FANS
2211□□□	200 TO 240	78 (172)	2
2273□□□		82 (181)	2
4180□□□	380 TO 480	79 (174)	2
4240□□□		82 (181)	2

□ denotes A-Z

YASKAWA

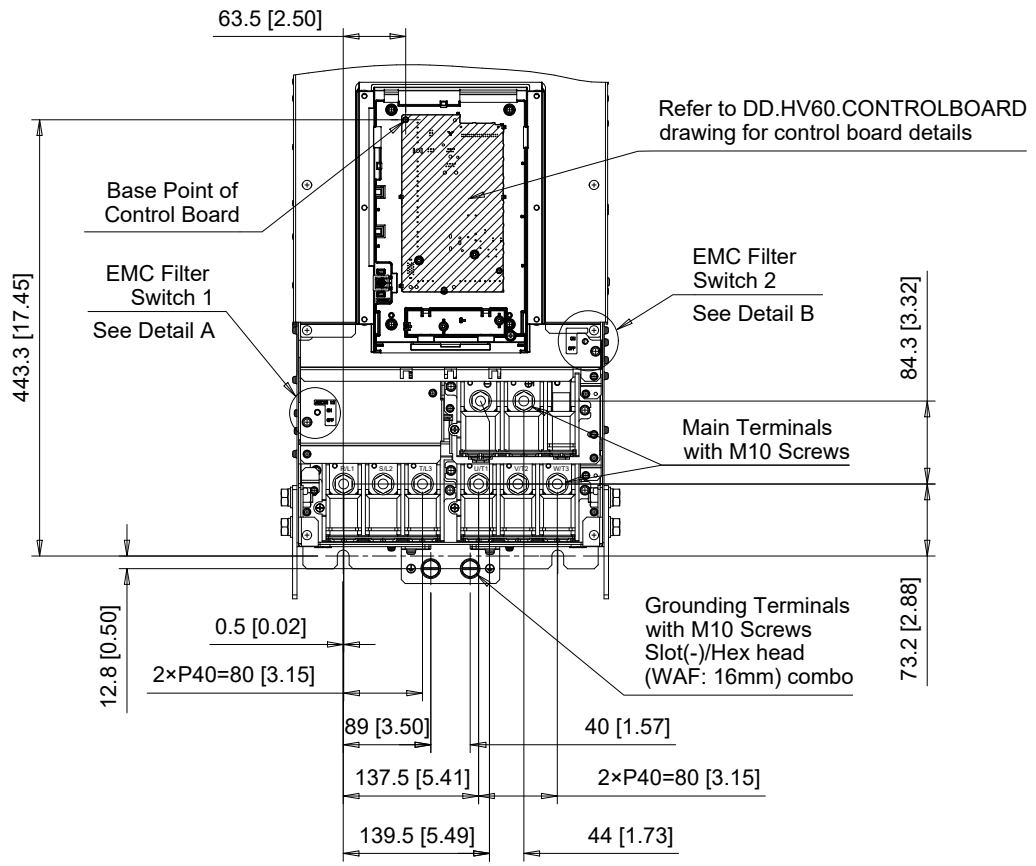
UNITS MM [IN]
SCALE 1:10

DRWN. J. MATTAS 2-20-20
CHKD. J. PIOTROWSKI 2-26-20
TECH. L. UDDIN 3-10-20
APRV. J. CAIRO 3-12-20

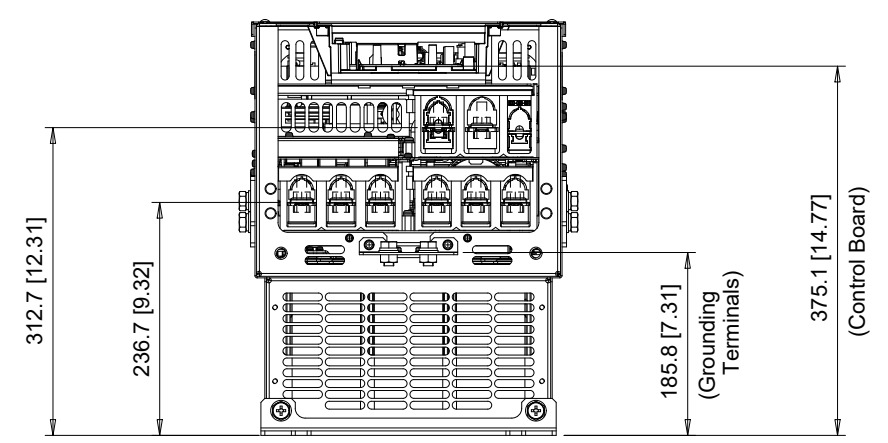
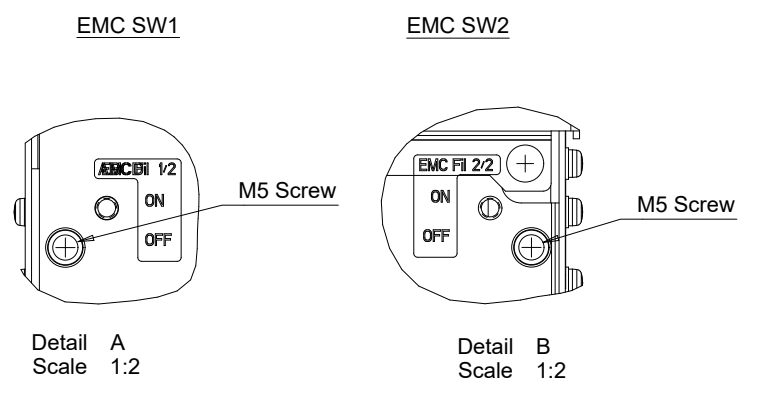
TITLE
HV600 DIMENSION DRAWING
FRAME SIZE 9
IP20 ENCLOSURE

SIZE A
PAGE 1 OF 3
DWG.NO.
DD.HV60.FR9.IP20

REV
0



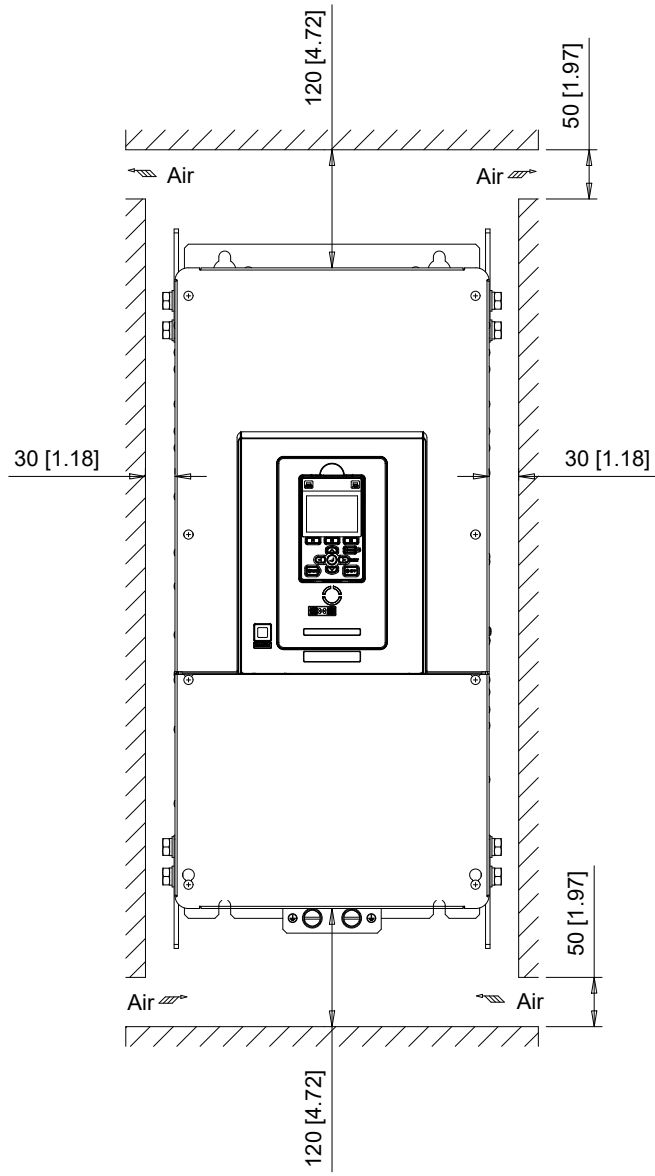
EMC FILTER SWITCHES



C/C: HV600	TERMINAL SYMBOL	WIRE RANGE AWG (mm ²)	TERMINAL SCREW	CLAMPING TORQUE N.m. (lb.in.)
2211	R/L1, S/L2, T/L3	3 - 4/0 x 2P (30 - 120 x 2P)	M10	20 (177)
2273	U/T1, V/T2, W/T3	3 - 4/0 x 2P (30 - 120 x 2P)	M10	20 (177)
4180	-, +1	10 - 250 x 2P (6 - 120 x 2P)	M10	20 (177)
4240	⊕	2 - 350 (35 - 185)	M10	18 - 23 (159 - 204)

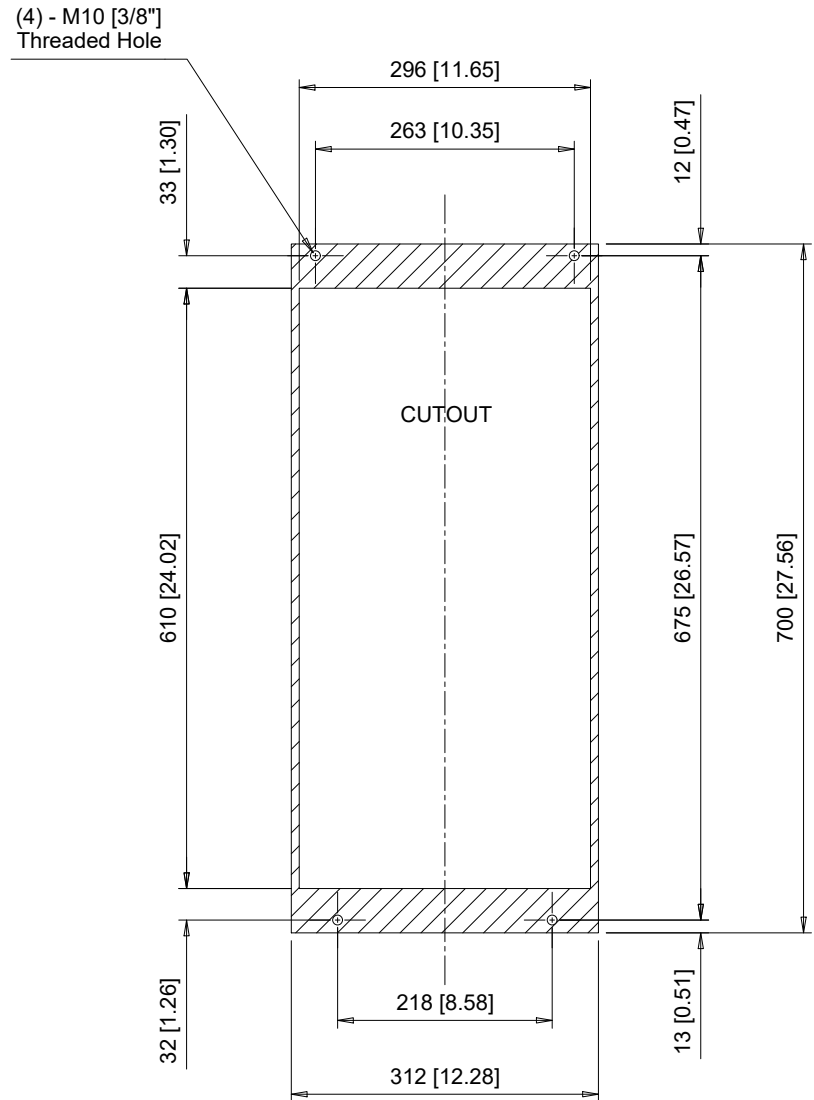
□ Denotes A-Z
Note: Refer to applicable codes and standards for proper wire type and size.

Minimum Installation Clearances



Note:
For alternate mounting configurations, consult manual.

Panel Cutout
For External Heatsink Mounting Configuration



Notes:
Exposed heatsink minimum clearance D = 165 [6.50].
Refer to external heatsink instructions document for additional details.

YASKAWA

UNITS MM [IN]
SCALE 1:8

DRWN.	J. MATTAS	2-20-20
CHKD.	J. PIOTROWSKI	2-26-20
TECH.	L. UDDIN	3-10-20
APRV.	J. CAIRO	3-12-20

TITLE	HV600 DIMENSION DRAWING FRAME SIZE 9 IP20 ENCLOSURE
-------	---

SIZE	A	PAGE	3 OF 3
DWG.NO.	DD.HV60.FR9.IP20		

REV	0
-----	---