

NOTES:

- A. FOR REFERENCE UNLESS PROPERLY ENDORSED. FOR ADDITIONAL DETAILS AND SPECIFICATIONS, CONSULT YASKAWA AMERICA, INC.
- B. DIMENSIONS ARE IN INCHES[MILLIMETERS]
- C. USE APPROPRIATE TYPE RATED HUBS OR FITTINGS TO MAINTAIN ENCLOSURE RATING.
- D. HATCHED AREA INDICATES PERMISSIBLE CONDUIT ENTRANCE AREA.

YASKAWA

THIS DOCUMENT AND INFORMATION CONTAINED IN IT ARE CONFIDENTIAL AND CANNOT BE COPIED OR DISCLOSED IN WHOLE OR IN PART WITHOUT THE EXPRESS WRITTEN CONSENT OF YASKAWA AMERICA, INC.

UNITS: INCHES

SCALE: NONE

ORIGINAL DESIGN:

A. Jandrin

DRAWN:

A. Jandrin

CHECKED:

D. Guckenberger

APPROVED:

K. Flierl

DATE:

11/5/2019

DATE:

1/17/2020

DATE:

1/17/2020

DATE:

1/17/2020

TITLE:

DIMENSION DRAWING, HWF, T12, W0

SIZE:

A

REVISION:

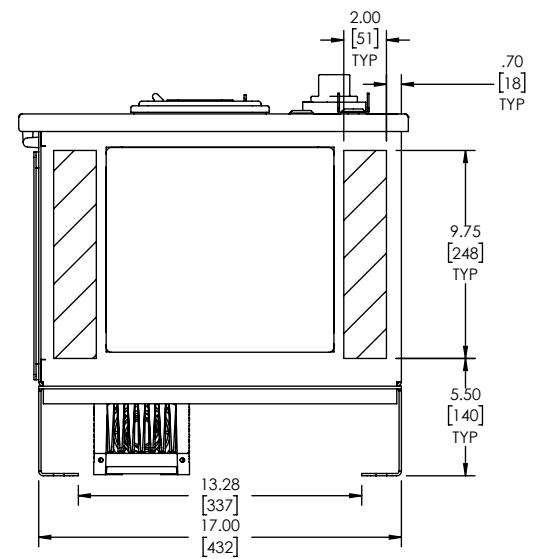
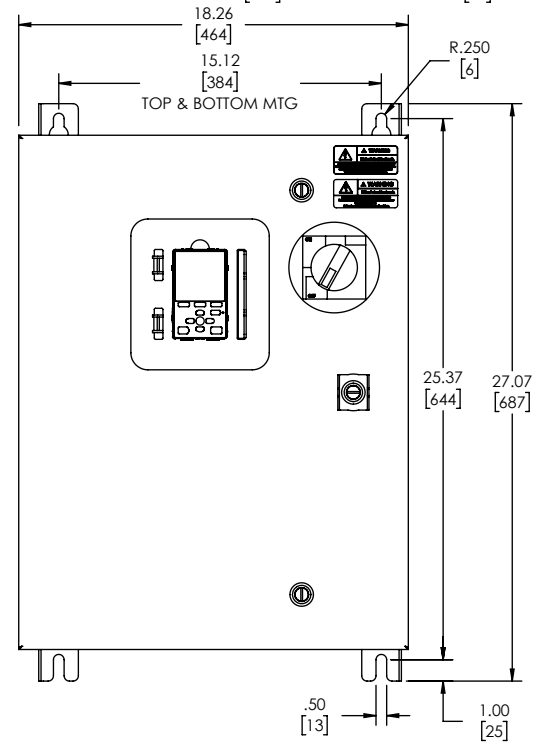
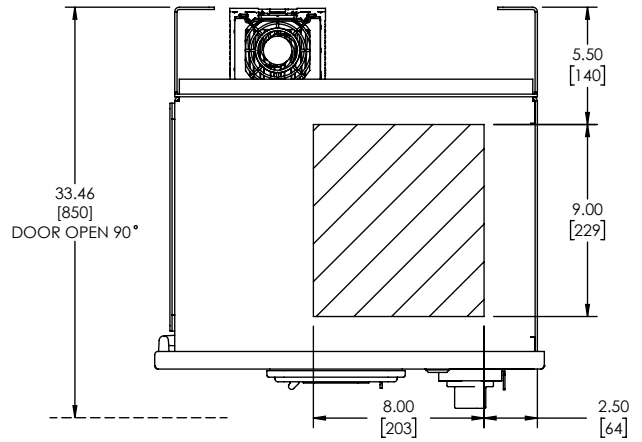
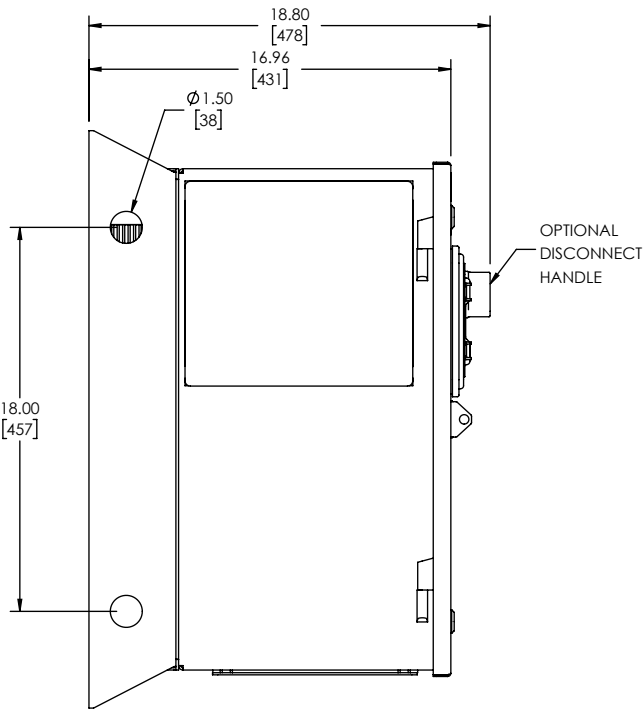
00

PAGE:

1 OF 2

DRAWING #:

DD.HWF.12.W0.01



YASKAWA

THIS DOCUMENT AND INFORMATION CONTAINED IN IT ARE CONFIDENTIAL AND CANNOT BE COPIED OR DISCLOSED IN WHOLE OR IN PART WITHOUT THE EXPRESS WRITTEN CONSENT OF YASKAWA AMERICA INC.

UNITS: INCHES

SCALE: NONE

ORIGINAL DESIGN:

A. Jandrin

DRAWN:

A. Jandrin

CHECKED:

D. Guckenberger

APPROVED:

K. Flierl

DATE:

11/5/2019

DATE:

1/17/2020

DATE:

1/17/2020

DATE:

1/17/2020

TITLE:

DIMENSION DRAWING, HWF, T12, W0

SIZE:

A

REVISION:

00

PAGE:

2 OF 2

DRAWING #:

DD.HWF.12.W0.01