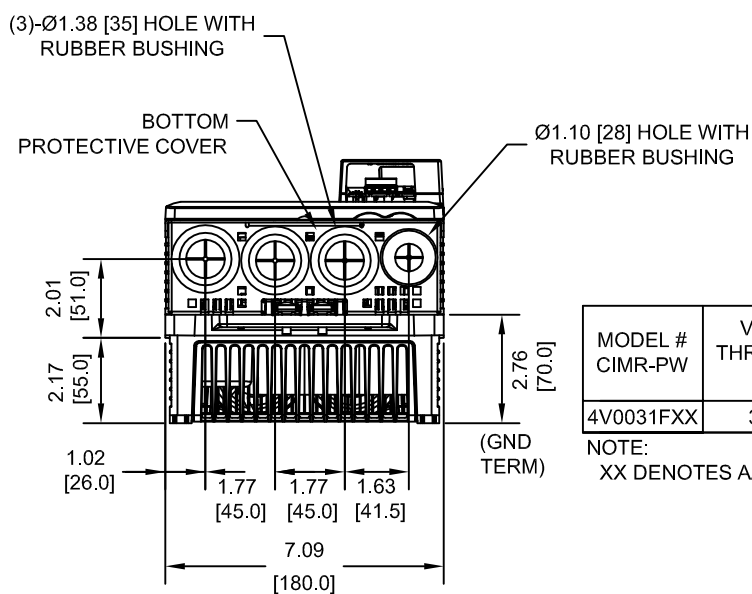
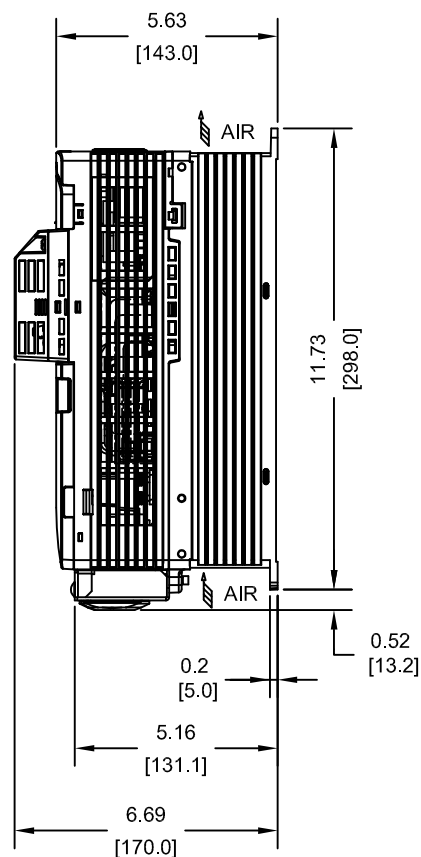
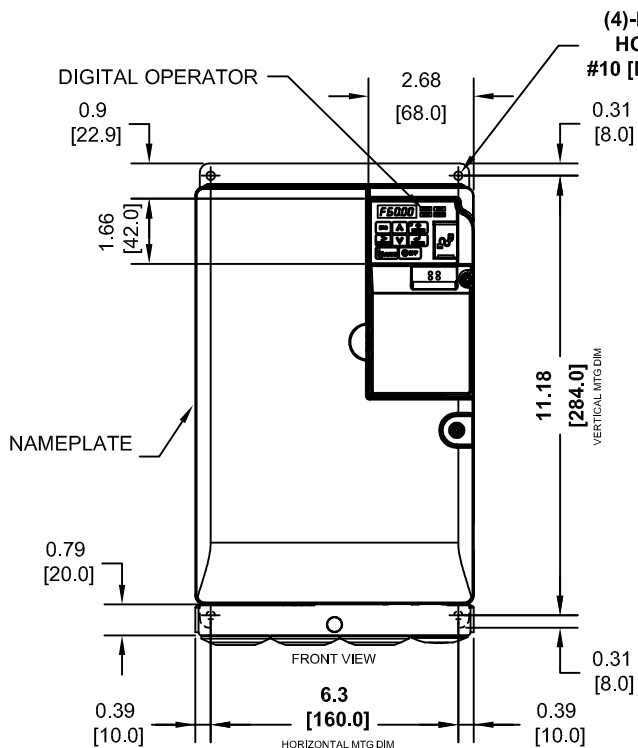


**NOTE:**  
PROTECTIVE COVERS ARE FACTORY INSTALLED TO THE TOP AND BOTTOM OF THE DRIVE TO MEET IP20 & NEMA TYPE 1 REQUIREMENTS, RESULTING IN AN AMBIENT TEMPERATURE RATING OF 104F(40C). REMOVE THESE COVERS WHEN OPERATING THE DRIVE WITHIN A PANEL TO OBTAIN THE MAXIMUM SURROUNDING AIR TEMPERATURE RATING OF 122F(50C). REMOVING THESE COVERS RESULTS IN AN ENCLOSURE RATING OF IP00.



MODEL #	VOLTAGE THREE PHASE (VAC)	OUTPUT CURRENT (A)	WEIGHT LBS (Kg)	HEAT LOSS (W) (Fc=2kHz)		
				INT	EXT	TOT
4V0031FXX	380/480	31.0	11.4 (5.2)	146.1	287.5	433.6

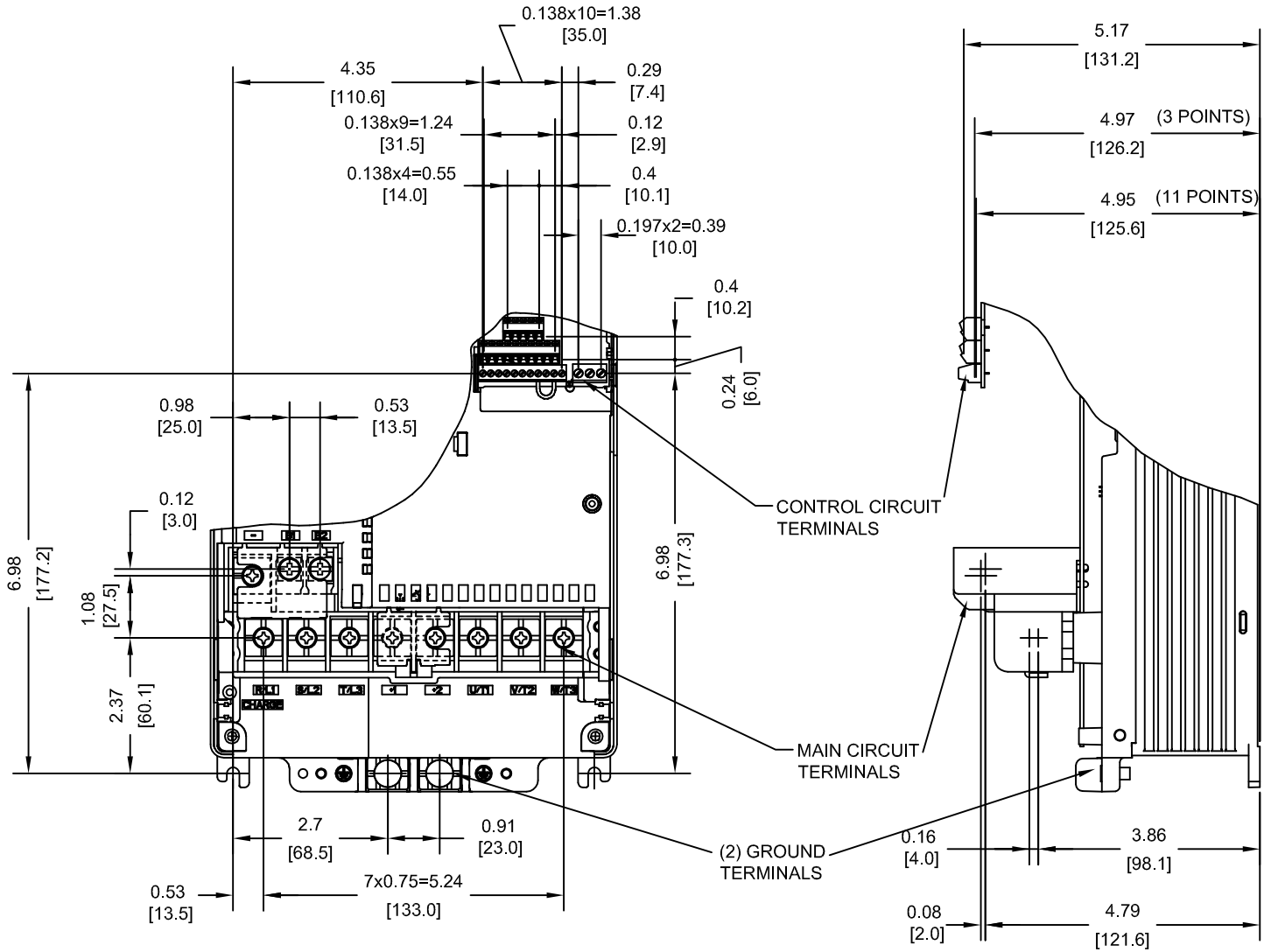
**NOTE:**  
XX DENOTES AA-ZZ

INT=INTERNAL COMPONENTS  
EXT=EXTERNAL HEATSINK  
TOT=TOTAL

FOR ADDITIONAL DETAILS AND SPECIFICATIONS, CONSULT MANUAL

TOLERANCES / REFERENCES:		<p><b>YASKAWA</b></p> <p>THIS DOCUMENT AND INFORMATION CONTAINED IN IT ARE CONFIDENTIAL, AND CANNOT BE COPIED OR DISCLOSED IN WHOLE OR IN PART WITHOUT THE EXPRESS WRITTEN CONSENT OF YASKAWA AMERICA, INC.</p>	DRAWN: J. MATTAS CHECKED: J. PIOTROWSKI TECH: J. BORJA APPROVED: J. CAIRO ORIGINAL DESIGN: -	DATE: 10-29-14 DATE: 10-31-14 DATE: 11-3-14 DATE: 11-18-14 DATE: -	TITLE: IQ PUMP MICRO DIMENSION DRAWING FRAME SIZE 15 NEMA TYPE 1 ENCLOSURE 4V0031F
UNITS: IN[mm]	SCALE: 1:5		SIZE: A REVISION: R00 DRAWING #: DD.IQPM.FR15.N1	PAGE: 1 of 4	

TERMINAL AND WIRING DETAILS (SCALE 1:3)



TERMINAL AND WIRE SPECIFICATIONS FOR  
MAIN CIRCUIT AND GROUND

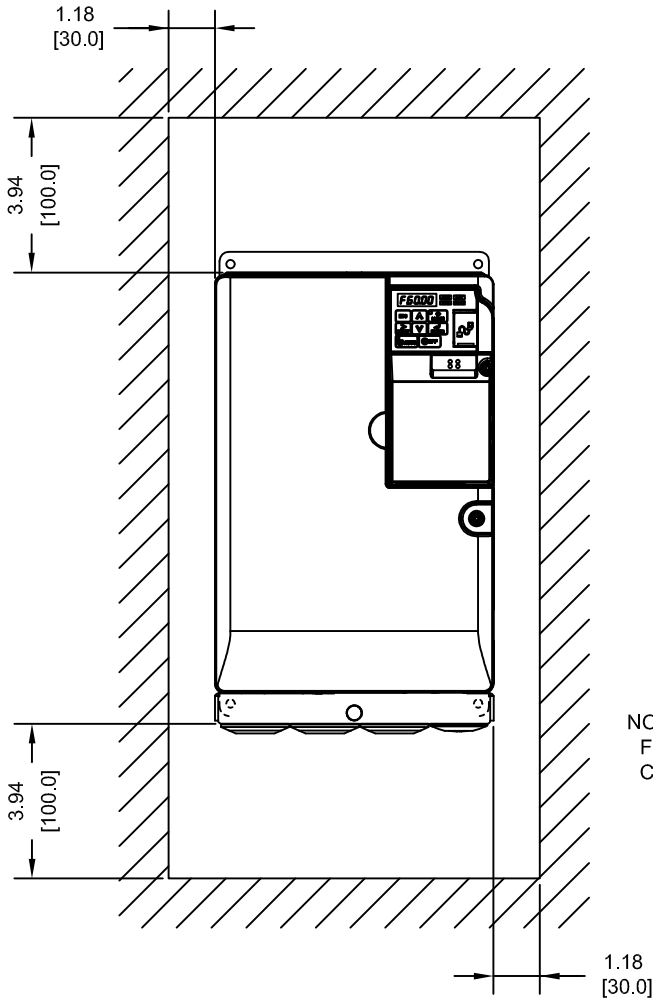
MODEL # CIMR-PW	TERMINAL SYMBOL	TERMINAL SCREW	CLAMPING TORQUE lb.in.(N.m.)	WIRE RANGE AWG(mm <sup>2</sup> )
4V0031F	R/L1, S/L2, T/L3, Ⓞ, ⊕1, ⊕2, U/T1, V/T2, W/T3, B1, B2	M5	17.7 TO 22.1 (2.0 TO 2.5)	10-6 (5.5-14)
	Ⓞ	M6	35.4 TO 53.1 (4 TO 6)	10-6 (5.5-14)

NOTE: RATINGS APPLY TO BOTH FACTORY AND FIELD WIRING  
REFER TO APPLICABLE CODES FOR PROPER WIRE TYPE AND SIZE

FOR ADDITIONAL DETAILS AND SPECIFICATIONS, CONSULT MANUAL

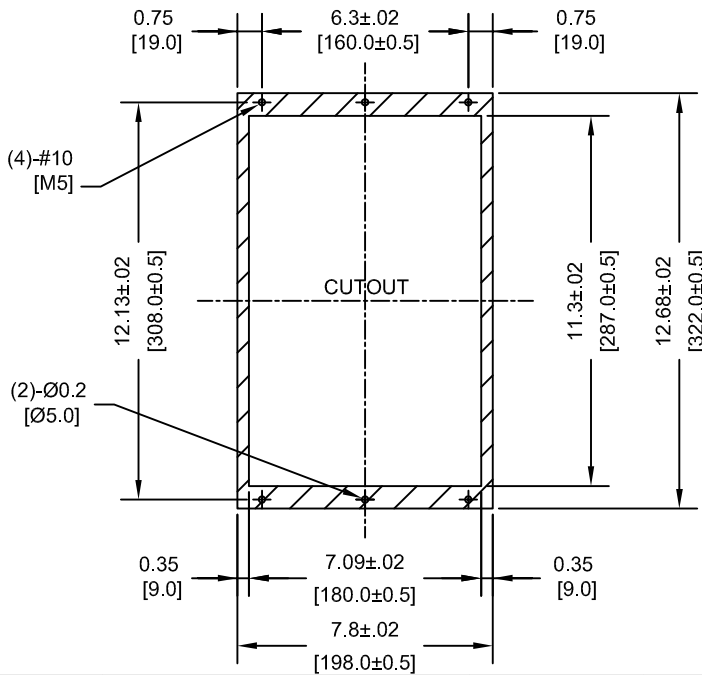
TOLERANCES / REFERENCES:			DRAWN: J. MATTAS DATE: 10-29-14	TITLE: IQ PUMP MICRO DIMENSION DRAWING FRAME SIZE 15 NEMA TYPE 1 ENCLOSURE 4V0031F
UNITS: IN[mm]	SCALE: BY VIEW		CHECKED: J. PIOTROWSKI DATE: 10-31-14	TECH: J. BORJA DATE: 11-3-14
		THIS DOCUMENT AND INFORMATION CONTAINED IN IT ARE CONFIDENTIAL, AND CANNOT BE COPIED OR DISCLOSED IN WHOLE OR IN PART WITHOUT THE EXPRESS WRITTEN CONSENT OF YASKAWA AMERICA, INC.	APPROVED: J. CAIRO DATE: 11-18-14	ORIGINAL DESIGN: - DATE: -
			SIZE: A	REVISION: R00
			PAGE: 2 of 4	
			DRAWING #: DD.IQPM.FR15.N1	

MINIMUM INSTALLATION CLEARANCES (SCALE 1:5)



NOTE:  
FOR SIDE-BY-SIDE MOUNTING  
CONSULT MANUAL

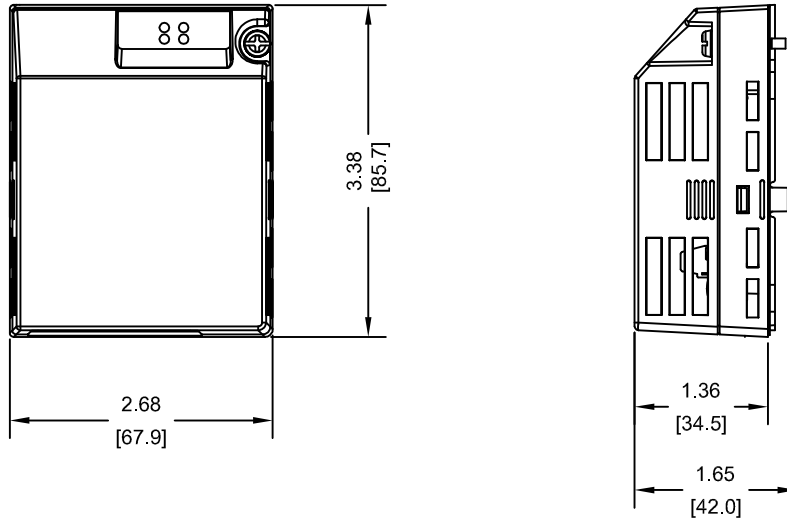
PANEL CUTOUT FOR EXTERNAL HEATSINK  
MOUNTING CONFIGURATION (SCALE 1:6)



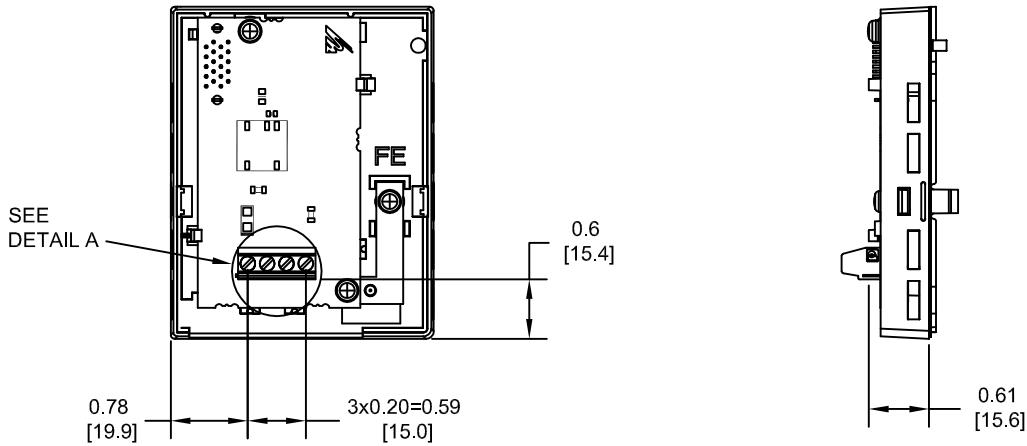
NOTES:  
1. EXTERNAL HEATSINK  
CONFIGURATION REQUIRES  
MOUNTING KIT  
2. EXPOSED HEATSINK  
RECOMMENDED CLEARANCE  
D=2.36" MINUS PANEL THICKNESS

TOLERANCES / REFERENCES:		<p>THIS DOCUMENT AND INFORMATION CONTAINED IN IT ARE CONFIDENTIAL, AND CANNOT BE COPIED OR DISCLOSED IN WHOLE OR IN PART WITHOUT THE EXPRESS WRITTEN CONSENT OF YASKAWA AMERICA, INC.</p>	DRAWN: J. MATTAS	DATE 10-29-14	TITLE: IQ PUMP MICRO DIMENSION DRAWING FRAME SIZE 15 NEMA TYPE 1 ENCLOSURE 4V0031F
			CHECKED: J. PIOTROWSKI	DATE 10-31-14	
			TECH: J. BORJA	DATE 11-3-14	
			APPROVED: J. CAIRO	DATE 11-18-14	
UNITS: IN[mm]	SCALE: BY VIEW	ORIGINAL DESIGN:	-	DATE	-
			SIZE A	REVISION R00	PAGE 3 of 4
			DRAWING #: <b>DD.IQPM.FR15.N1</b>		

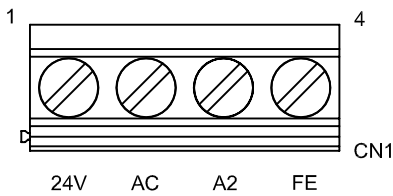
24V OPTION KIT (SCALE 1:2)



24V OPTION KIT (SCALE 1:2)  
COVER REMOVED




DETAIL A (SCALE 2:1)



24V OPTION KIT - SPECIFICATIONS

TERMINAL SCREW	CLAMPING TORQUE lb.in.(N.m.)	WIRE RANGE AWG(mm <sup>2</sup> )	OPTION KIT WEIGHT LBS(Kg)
M3	4.4 TO 5.3 (0.5 TO 0.6)	30-14 (0.05-2.0)	0.1 (0.05)

TOLERANCES / REFERENCES:		 THIS DOCUMENT AND INFORMATION CONTAINED IN IT ARE CONFIDENTIAL, AND CANNOT BE COPIED OR DISCLOSED IN WHOLE OR IN PART WITHOUT THE EXPRESS WRITTEN CONSENT OF YASKAWA AMERICA, INC.	DRAWN: J. MATTAS	DATE 10-29-14	TITLE: IQ PUMP MICRO DIMENSION DRAWING FRAME SIZE 15 NEMA TYPE 1 ENCLOSURE 4V0031F	
UNITS: IN[mm]			SCALE: BY VIEW	CHECKED: J. PIOTROWSKI		DATE 10-31-14
			TECH: J. BORJA	DATE 11-3-14		SIZE A
			APPROVED: J. CAIRO	DATE 11-18-14		REVISION R00
		ORIGINAL DESIGN: -	DATE -	PAGE 4 of 4	DRAWING #: <b>DD.IQPM.FR15.N1</b>	