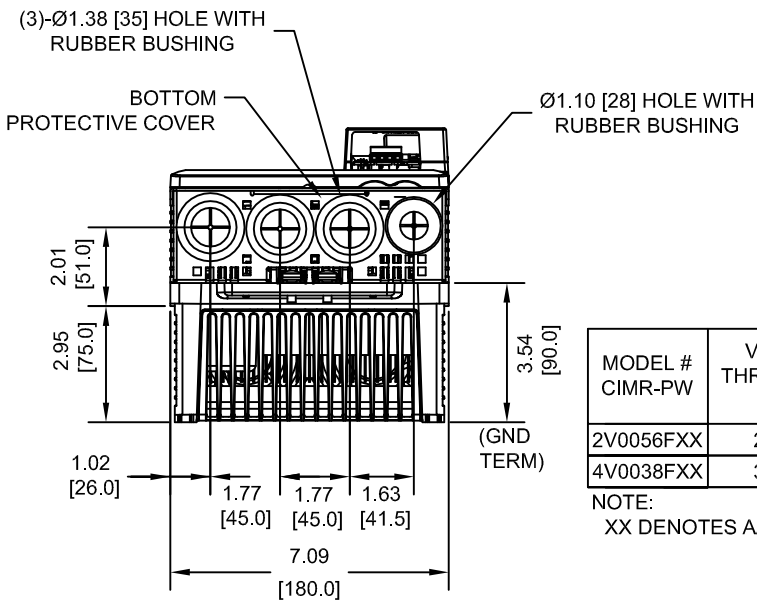
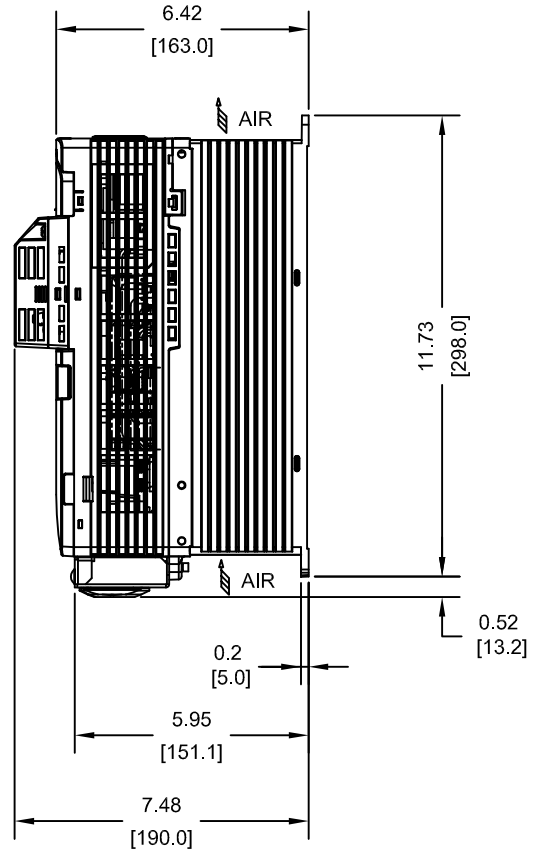
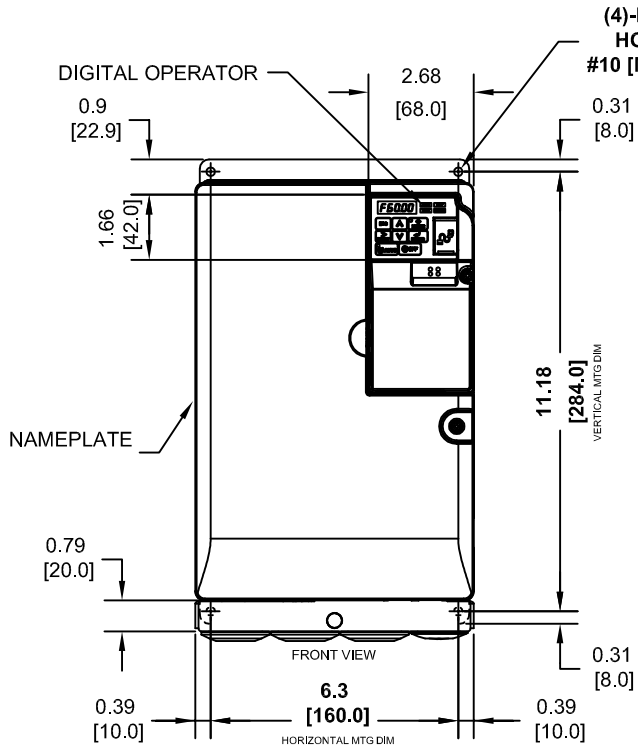
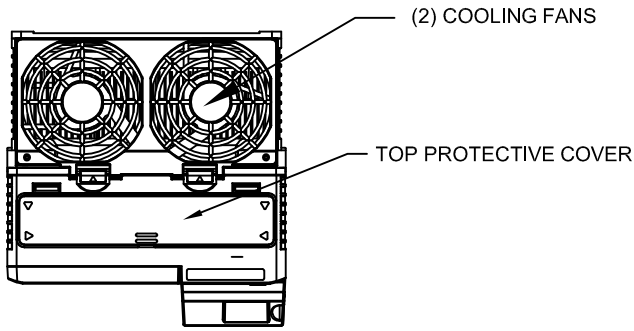


NOTE:
 PROTECTIVE COVERS ARE FACTORY INSTALLED TO THE TOP AND BOTTOM OF THE DRIVE TO MEET IP20 & NEMA TYPE 1 REQUIREMENTS, RESULTING IN AN AMBIENT TEMPERATURE RATING OF 104F(40C). REMOVE THESE COVERS WHEN OPERATING THE DRIVE WITHIN A PANEL TO OBTAIN THE MAXIMUM SURROUNDING AIR TEMPERATURE RATING OF 122F(50C). REMOVING THESE COVERS RESULTS IN AN ENCLOSURE RATING OF IP00.



MODEL # CIMR-PW	VOLTAGE THREE PHASE (VAC)	OUTPUT CURRENT (A)	WEIGHT LBS (Kg)	HEAT LOSS (W) (Fc=2kHz)		
				INT	EXT	TOT
2V0056FXX	208/240	56.0	12.1 (5.5)	151.8	357.9	509.7
4V0038FXX	380/480	38.0	12.1 (5.5)	155.8	319.2	475.0

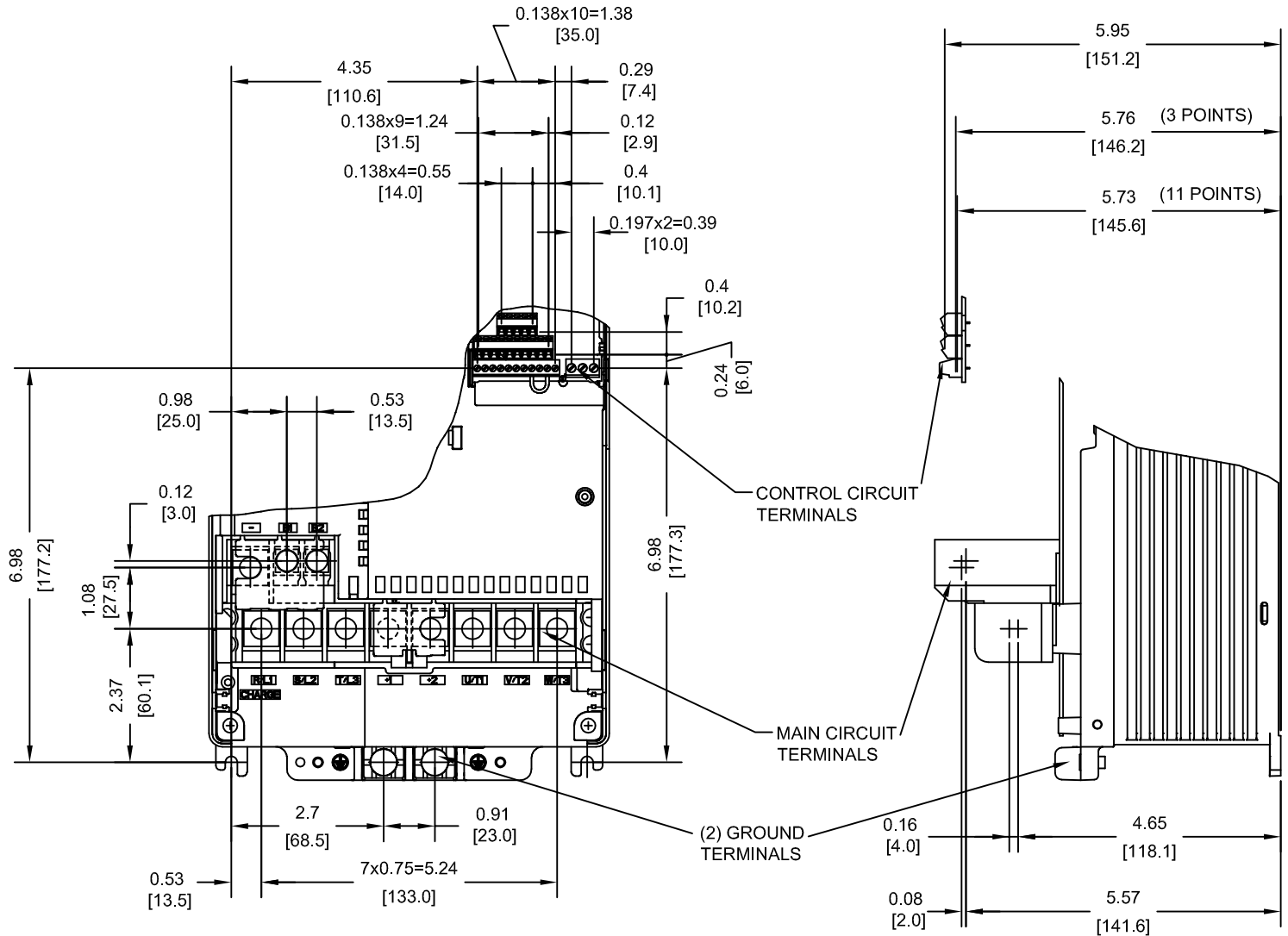
NOTE:
 XX DENOTES AA-ZZ

INT=INTERNAL COMPONENTS
 EXT=EXTERNAL HEATSINK
 TOT=TOTAL

FOR ADDITIONAL DETAILS AND SPECIFICATIONS, CONSULT MANUAL

TOLERANCES / REFERENCES:		<p>YASKAWA</p> <p>THIS DOCUMENT AND INFORMATION CONTAINED IN IT ARE CONFIDENTIAL, AND CANNOT BE COPIED OR DISCLOSED IN WHOLE OR IN PART WITHOUT THE EXPRESS WRITTEN CONSENT OF YASKAWA AMERICA, INC.</p>	DRAWN: J. MATTAS	DATE: 10-29-14	TITLE: IQ PUMP MICRO DIMENSION DRAWING FRAME SIZE 16 NEMA TYPE 1 ENCLOSURE 2V0056F AND 4V0038F	
			CHECKED: J. PIOTROWSKI	DATE: 10-31-14		
			TECH: J. BORJA	DATE: 11-3-14		
			APPROVED: J. CAIRO	DATE: 11-18-14		
UNITS: IN[mm]	SCALE: 1:5	ORIGINAL DESIGN: -	DATE: -	SIZE: A	REVISION: R00	PAGE: 1 of 4
				DRAWING #: DD.IQPM.FR16.N1		

TERMINAL AND WIRING DETAILS (SCALE 1:3)



TERMINAL AND WIRE SPECIFICATIONS FOR
MAIN CIRCUIT AND GROUND

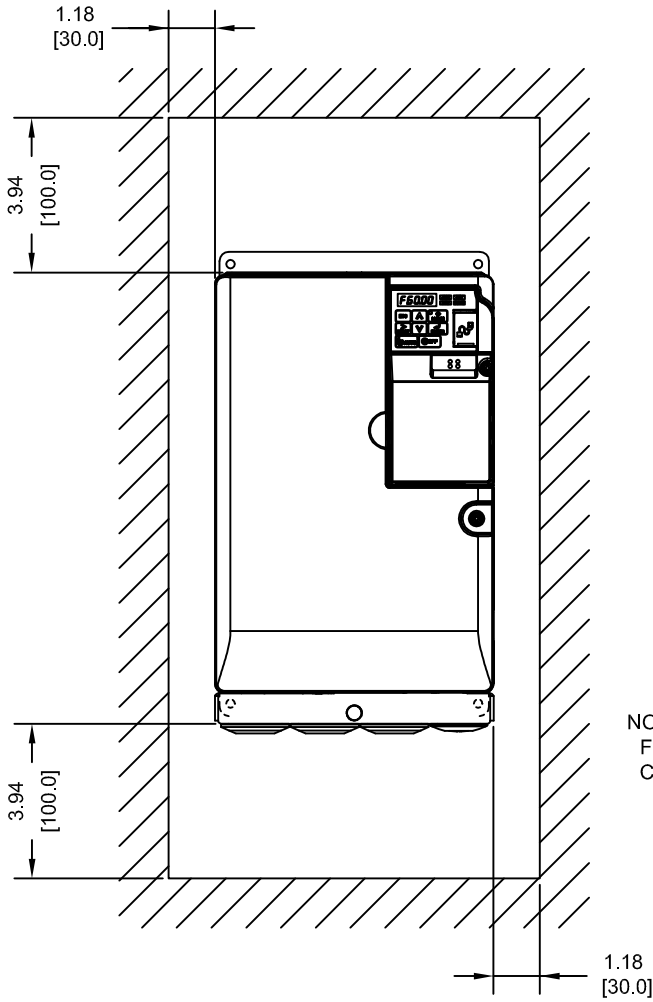
MODEL # CIMR-PW	TERMINAL SYMBOL	TERMINAL SCREW	CLAMPING TORQUE lb.in.(N.m.)	WIRE RANGE AWG(mm ²)
2V0056F	R/L1, S/L2, T/L3, Ⓞ, ⊕1, ⊕2, U/T1, V/T2, W/T3	M6	35.4 TO 53.1 (4 TO 6)	6-4 (14-22)
	B1, B2	M5	17.7 TO 22.1 (2 TO 2.5)	10-6 (5.5-14)
4V0038F	R/L1, S/L2, T/L3, Ⓞ, ⊕1, ⊕2, U/T1, V/T2, W/T3, B1, B2	M6	35.4 TO 53.1 (4 TO 6)	6-4 (14-22)
	Ⓞ	M5	17.7 TO 22.1 (2 TO 2.5)	10-6 (5.5-14)
	Ⓞ	M6	35.4 TO 53.1 (4 TO 6)	10-6 (5.5-14)

NOTE: RATINGS APPLY TO BOTH FACTORY AND FIELD WIRING
REFER TO APPLICABLE CODES FOR PROPER WIRE TYPE AND SIZE

FOR ADDITIONAL DETAILS AND SPECIFICATIONS, CONSULT MANUAL

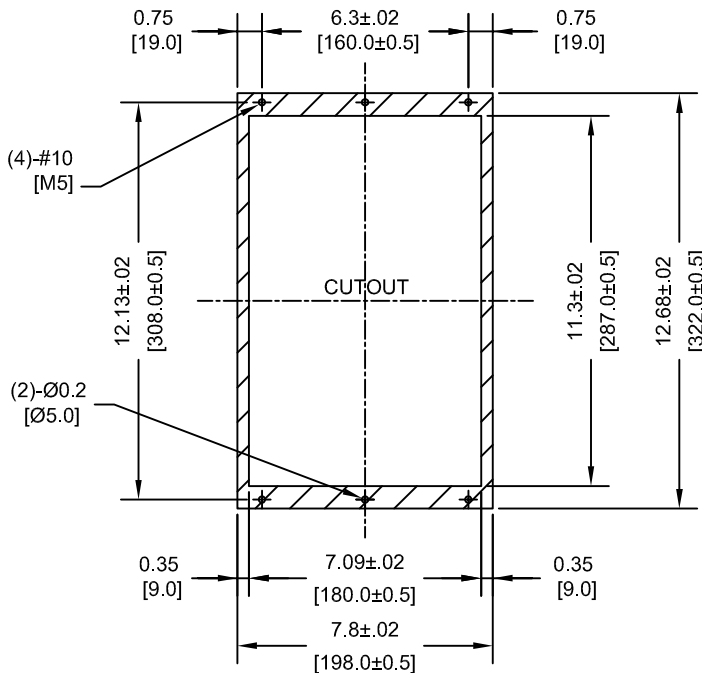
TOLERANCES / REFERENCES:			DRAWN: J. MATTAS DATE 10-29-14	TITLE: IQ PUMP MICRO DIMENSION DRAWING FRAME SIZE 16 NEMA TYPE 1 ENCLOSURE 2V0056F AND 4V0038F
UNITS: IN[mm]	SCALE: BY VIEW		CHECKED: J. PIOTROWSKI DATE 10-31-14	DATE 11-3-14
THIS DOCUMENT AND INFORMATION CONTAINED IN IT ARE CONFIDENTIAL, AND CANNOT BE COPIED OR DISCLOSED IN WHOLE OR IN PART WITHOUT THE EXPRESS WRITTEN CONSENT OF YASKAWA AMERICA, INC.		TECH: J. BORJA DATE 11-3-14	APPROVED: J. CAIRO DATE 11-18-14	SIZE A
		ORIGINAL DESIGN: -	DATE -	REVISION R00
		DRAWING #: DD.IQPM.FR16.N1		PAGE 2 of 4

MINIMUM INSTALLATION CLEARANCES (SCALE 1:5)



NOTE:
FOR SIDE-BY-SIDE MOUNTING
CONSULT MANUAL

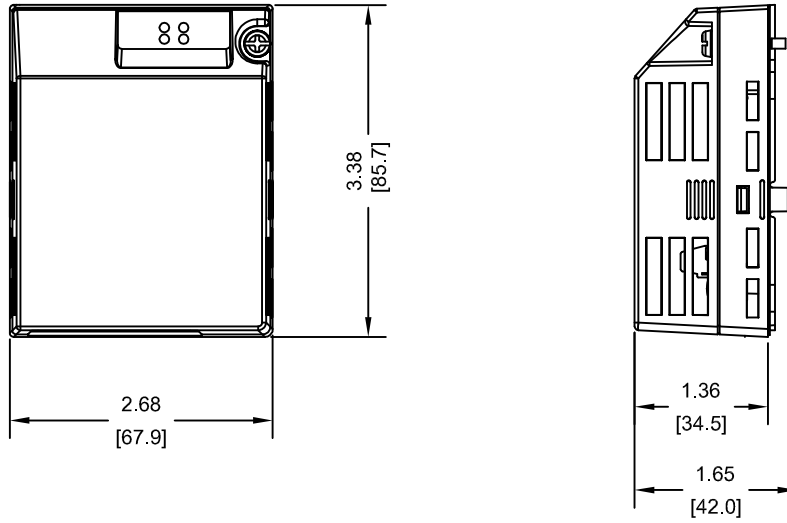
PANEL CUTOUT FOR EXTERNAL HEATSINK
MOUNTING CONFIGURATION (SCALE 1:6)



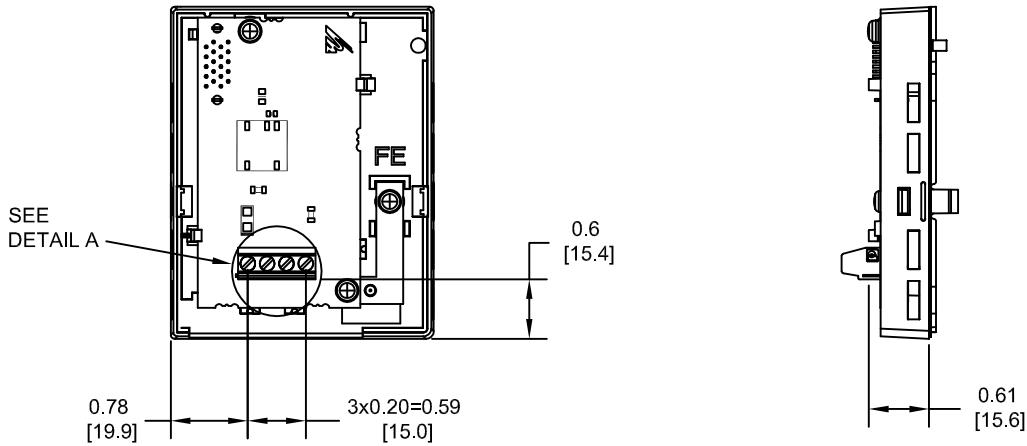
NOTES:
1. EXTERNAL HEATSINK
CONFIGURATION REQUIRES
MOUNTING KIT
2. EXPOSED HEATSINK
RECOMMENDED CLEARANCE
D=3.15" MINUS PANEL THICKNESS

TOLERANCES / REFERENCES:		<p>THIS DOCUMENT AND INFORMATION CONTAINED IN IT ARE CONFIDENTIAL, AND CANNOT BE COPIED OR DISCLOSED IN WHOLE OR IN PART WITHOUT THE EXPRESS WRITTEN CONSENT OF YASKAWA AMERICA, INC.</p>	DRAWN: J. MATTAS	DATE 10-29-14	TITLE: IQ PUMP MICRO DIMENSION DRAWING FRAME SIZE 16 NEMA TYPE 1 ENCLOSURE 2V0056F AND 4V0038F
			CHECKED: J. PIOTROWSKI	DATE 10-31-14	
			TECH: J. BORJA	DATE 11-3-14	
			APPROVED: J. CAIRO	DATE 11-18-14	
UNITS: IN[mm]	SCALE: BY VIEW		ORIGINAL DESIGN: -	DATE -	DRAWING #: DD.IQPM.FR16.N1
			SIZE A	REVISION R00	PAGE 3 of 4

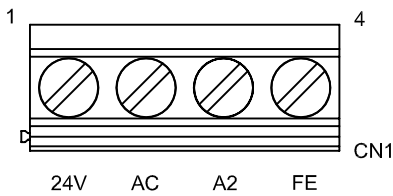
24V OPTION KIT (SCALE 1:2)



24V OPTION KIT (SCALE 1:2)
COVER REMOVED




DETAIL A (SCALE 2:1)



24V OPTION KIT - SPECIFICATIONS

TERMINAL SCREW	CLAMPING TORQUE lb.in.(N.m.)	WIRE RANGE AWG(mm ²)	OPTION KIT WEIGHT LBS(Kg)
M3	4.4 TO 5.3 (0.5 TO 0.6)	30-14 (0.05-2.0)	0.1 (0.05)

TOLERANCES / REFERENCES:		 THIS DOCUMENT AND INFORMATION CONTAINED IN IT ARE CONFIDENTIAL, AND CANNOT BE COPIED OR DISCLOSED IN WHOLE OR IN PART WITHOUT THE EXPRESS WRITTEN CONSENT OF YASKAWA AMERICA, INC.	DRAWN: J. MATTAS	DATE 10-29-14	TITLE: IQ PUMP MICRO DIMENSION DRAWING FRAME SIZE 16 NEMA TYPE 1 ENCLOSURE 2V0056F AND 4V0038F	
			CHECKED: J. PIOTROWSKI	DATE 10-31-14		
			TECH: J. BORJA	DATE 11-3-14		
			APPROVED: J. CAIRO	DATE 11-18-14		
UNITS: IN[mm]	SCALE: BY VIEW	ORIGINAL DESIGN: -	DATE -	SIZE A	REVISION R00	PAGE 4 of 4
				DRAWING #: DD.IQPM.FR16.N1		