

MODEL # CIMR-PW	VOLTAGE THREE PHASE (VAC)	OUTPUT CURRENT (A)	WEIGHT LBS (Kg)	HEAT LOSS (W) (Fc=2kHz)		
				INT	EXT	TOT
2V0030GXX	208/240	30.0	48.1 (21.8)	85.8	238.2	324.0
2V0040GXX		40.0	48.1 (21.8)	108.6	266.7	375.3
2V0056GXX		56.0	51.2 (23.2)	145.2	357.9	503.1
4V0018GXX	380/480	17.5	47.8 (21.7)	78.4	181.2	259.6
4V0023GXX		23.0	48.1 (21.8)	101.8	213.4	315.2
4V0031GXX		31.0	50.5 (22.9)	139.4	287.5	426.9
4V0038GXX		38.0	51.2 (23.2)	138.8	319.2	458.0

NOTE:
XX DENOTES AA-ZZ

INT=INTERNAL COMPONENTS
 EXT=EXTERNAL HEATSINK
 TOT=TOTAL

FOR ADDITIONAL DETAILS AND SPECIFICATIONS, CONSULT MANUAL

TOLERANCES / REFERENCES:		<p>THIS DOCUMENT AND INFORMATION CONTAINED IN IT ARE CONFIDENTIAL, AND CANNOT BE COPIED OR DISCLOSED IN WHOLE OR IN PART WITHOUT THE EXPRESS WRITTEN CONSENT OF YASKAWA AMERICA, INC.</p>	DRAWN: J. MATTAS CHECKED: J. PIOTROWSKI TECH: J. BORJA APPROVED: J. CAIRO ORIGINAL DESIGN: -	DATE: 11-4-14 DATE: 11-10-14 DATE: 11-11-14 DATE: 11-18-14 DATE: -	TITLE: IQ PUMP MICRO DIMENSION DRAWING FRAME SIZE 3 NEMA TYPE 4X ENCLOSURE (IP66) 2V0030-0056, 4V0018-0038
UNITS: IN[mm]	SCALE: 1:8		SIZE A	REVISION R00	PAGE 1 of 5
			DRAWING #: DD.IQPM.FR3.N4		

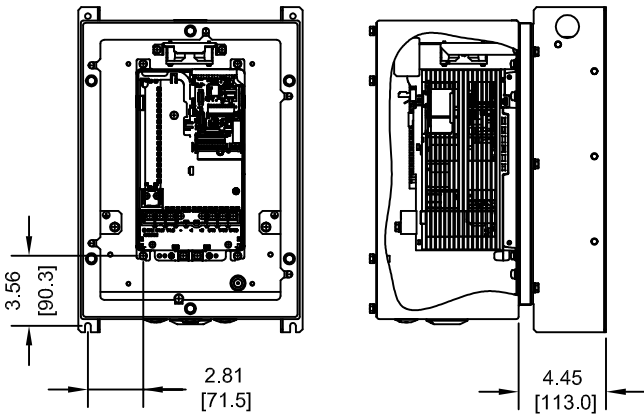
TERMINAL AND WIRING INFORMATION FOR: PW2V0030G & PW2V0040G PW4V0018G & PW4V0023G

NOTE: REFER TO PAGE 5 FOR 24 VOLT OPTION KIT DETAILS

TERMINAL AND WIRE SPECIFICATIONS FOR MAIN CIRCUIT AND GROUND

TERMINAL AND WIRING, GENERAL VIEWS (SCALE 1:10)

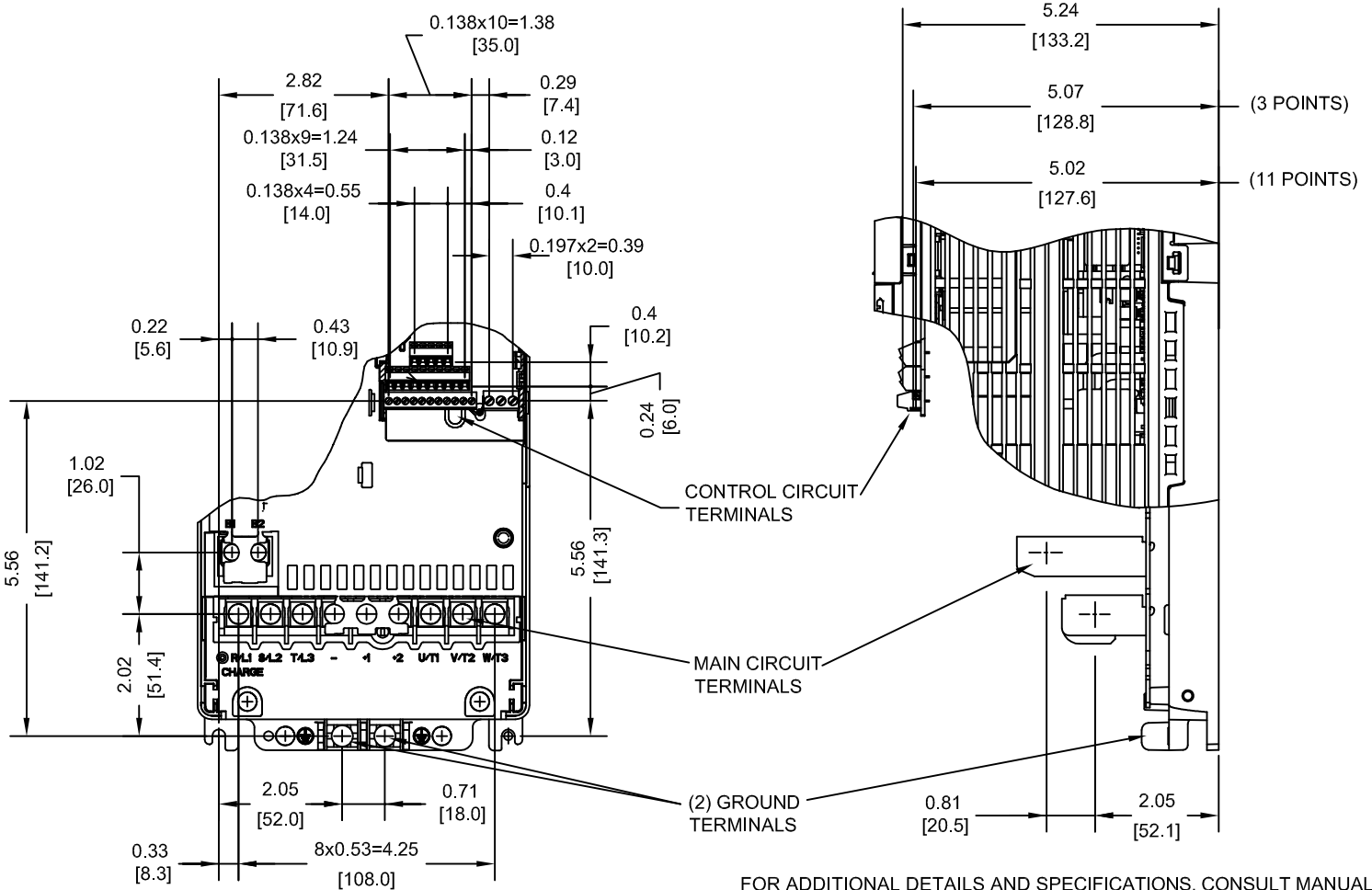
NOTE: FRONT COVER REMOVED



MODEL # CIMR-PW	TERMINAL SYMBOL	TERMINAL SCREW	CLAMPING TORQUE lb.in.(N.m.)	WIRE RANGE AWG(mm)
2V0030G	R/L1, S/L2, T/L3, ⊖, ⊕1, ⊕2, U/T1, V/T2, W/T3	M4	20.4 (2.3)	12-6 (3.5-14)
	B1, B2	M4	20.4 (2.3)	12-10 (3.5-5.5)
	⊕	M5	17.7-22.1 (2.0-2.5)	10-6 (5.5-14)
2V0040G	R/L1, S/L2, T/L3, ⊖, ⊕1, ⊕2, U/T1, V/T2, W/T3	M4	20.4 (2.3)	12-6 (3.5-14)
	B1, B2	M4	20.4 (2.3)	12-10 (3.5-5.5)
	⊕	M5	17.7-22.1 (2.0-2.5)	10-6 (5.5-14)
4V0018G	R/L1, S/L2, T/L3, ⊖, ⊕1, ⊕2, U/T1, V/T2, W/T3	M4	20.4 (2.3)	12-6 (3.5-14)
	B1, B2	M4	20.4 (2.3)	12-10 (3.5-5.5)
	⊕	M5	17.7-22.1 (2.0-2.5)	10-6 (5.5-14)
4V0023G	R/L1, S/L2, T/L3, ⊖, ⊕1, ⊕2, U/T1, V/T2, W/T3	M4	20.4 (2.3)	12-6 (3.5-14)
	B1, B2	M4	20.4 (2.3)	12-10 (3.5-5.5)
	⊕	M5	17.7-22.1 (2.0-2.5)	10-6 (5.5-14)

NOTE: RATINGS APPLY TO BOTH FACTORY AND FIELD WIRING
REFER TO APPLICABLE CODES FOR PROPER WIRE TYPE AND SIZE

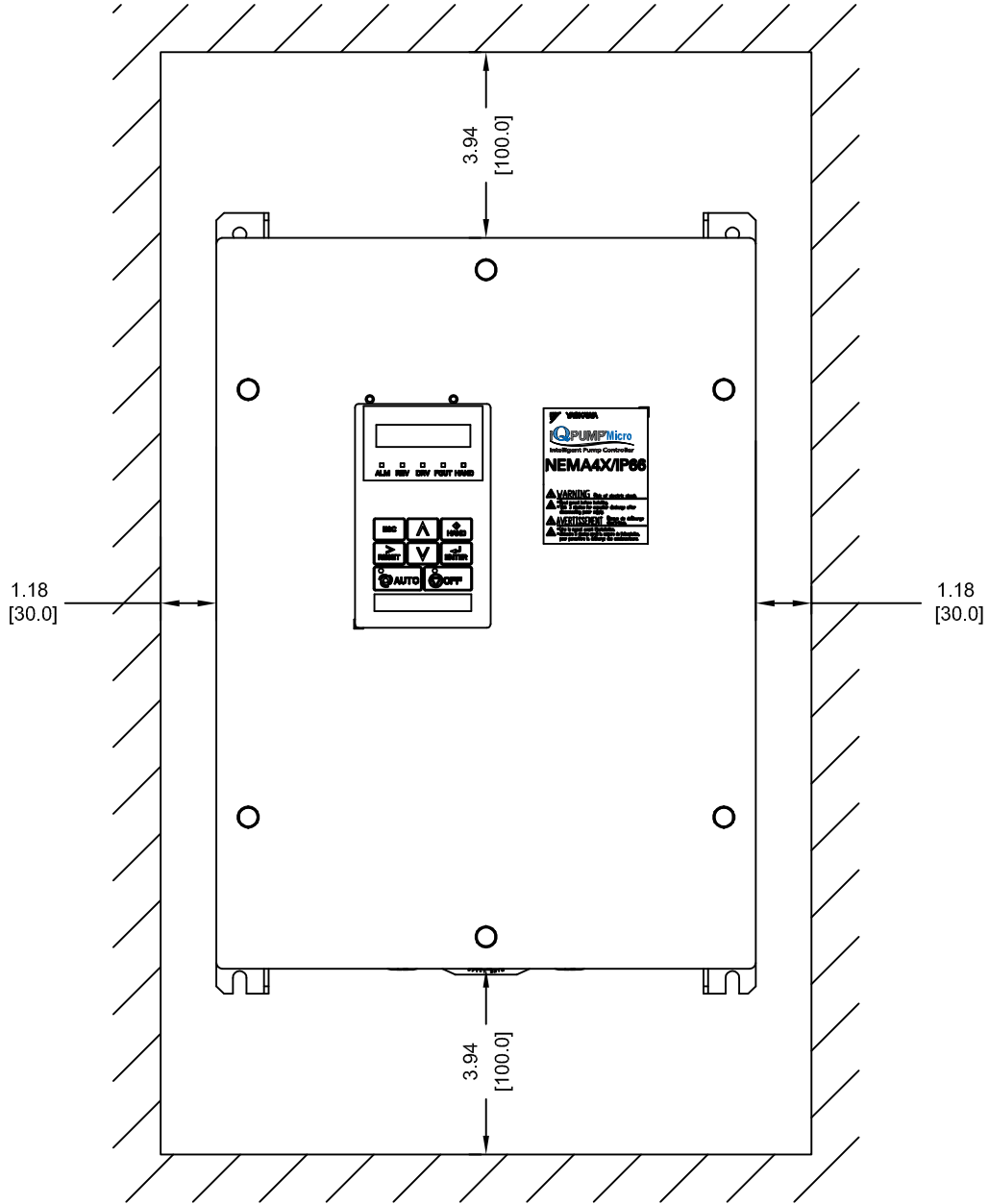
TERMINAL AND WIRING DETAILS (SCALE 1:3)




FOR ADDITIONAL DETAILS AND SPECIFICATIONS, CONSULT MANUAL

TOLERANCES / REFERENCES:			DRAWN: J. MATTAS	DATE 11-4-14	TITLE: IQ PUMP MICRO DIMENSION DRAWING FRAME SIZE 3 NEMA TYPE 4X ENCLOSURE (IP66) 2V0030-0056, 4V0018-0038	
UNITS: IN[mm]			SCALE: BY VIEW	CHECKED: J. PIOTROWSKI	DATE 11-10-14	SIZE A
THIS DOCUMENT AND INFORMATION CONTAINED IN IT ARE CONFIDENTIAL, AND CANNOT BE COPIED OR DISCLOSED IN WHOLE OR IN PART WITHOUT THE EXPRESS WRITTEN CONSENT OF YASKAWA AMERICA, INC.			TECH: J. BORJA	DATE 11-11-14	PAGE 2 of 5	
			APPROVED: J. CAIRO	DATE 11-18-14	DRAWING #: DD.IQPM.FR3.N4	
			ORIGINAL DESIGN: -	DATE -		

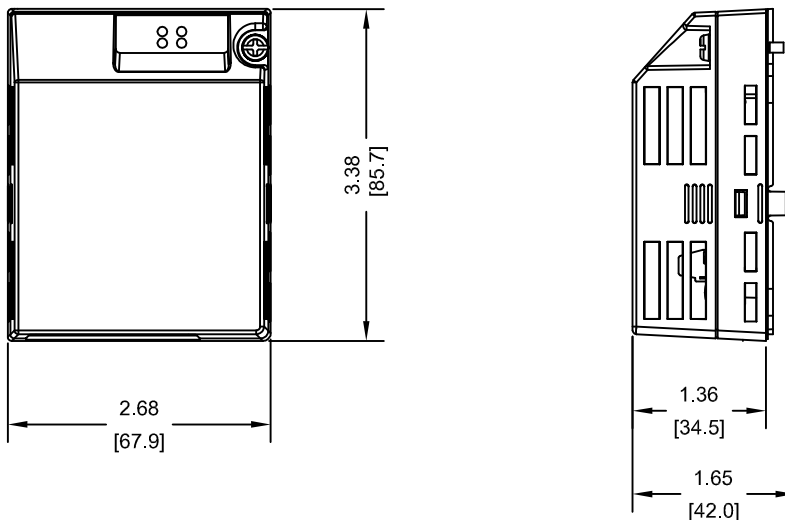
MINIMUM INSTALLATION CLEARANCES (SCALE 1:4)



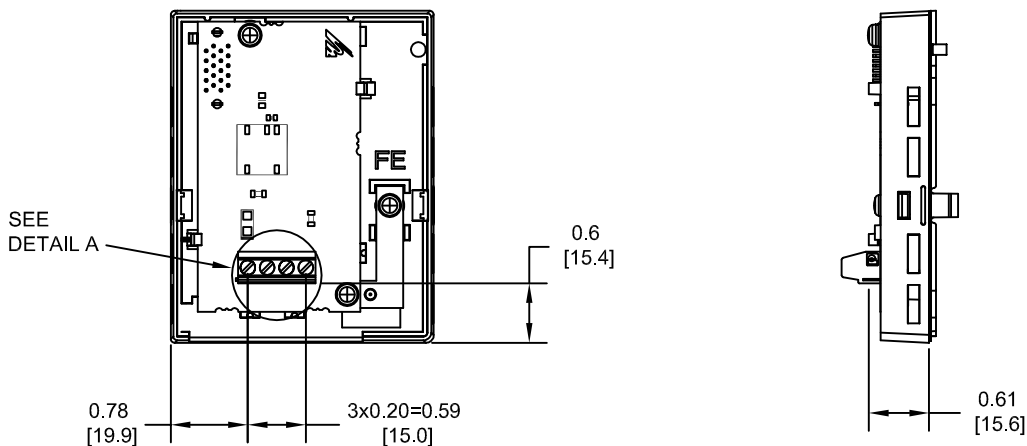
FOR ADDITIONAL DETAILS AND SPECIFICATIONS, CONSULT MANUAL

TOLERANCES / REFERENCES:		 THIS DOCUMENT AND INFORMATION CONTAINED IN IT ARE CONFIDENTIAL, AND CANNOT BE COPIED OR DISCLOSED IN WHOLE OR IN PART WITHOUT THE EXPRESS WRITTEN CONSENT OF YASKAWA AMERICA, INC.	DRAWN: J. MATTAS	DATE 11-4-14	TITLE: IQ PUMP MICRO DIMENSION DRAWING FRAME SIZE 3 NEMA TYPE 4X ENCLOSURE (IP66) 2V0030-0056, 4V0018-0038
			CHECKED: J. PIOTROWSKI	DATE 11-10-14	
UNITS: IN[mm]	SCALE: BY VIEW		TECH: J. BORJA	DATE 11-11-14	SIZE A
			APPROVED: J. CAIRO	DATE 11-18-14	REVISION R00
		ORIGINAL DESIGN: -	DATE -	PAGE 4 of 5	DRAWING #: DD.IQPM.FR3.N4

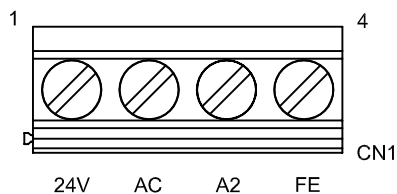
24V OPTION KIT (SCALE 1:2)



24V OPTION KIT (SCALE 1:2)
COVER REMOVED




DETAIL A (SCALE 2:1)



24V OPTION KIT - SPECIFICATIONS

TERMINAL SCREW	CLAMPING TORQUE lb.in.(N.m.)	WIRE RANGE AWG(mm ²)	OPTION KIT WEIGHT LBS(Kg)
M3	4.4 TO 5.3 (0.5 TO 0.6)	30-14 (0.05-2.0)	0.1 (0.05)

FOR ADDITIONAL DETAILS AND SPECIFICATIONS, CONSULT MANUAL

TOLERANCES / REFERENCES:		 THIS DOCUMENT AND INFORMATION CONTAINED IN IT ARE CONFIDENTIAL, AND CANNOT BE COPIED OR DISCLOSED IN WHOLE OR IN PART WITHOUT THE EXPRESS WRITTEN CONSENT OF YASKAWA AMERICA, INC.	DRAWN: J. MATTAS DATE: 11-4-14	TITLE: IQ PUMP MICRO DIMENSION DRAWING FRAME SIZE 3 NEMA TYPE 4X ENCLOSURE (IP66) 2V0030-0056, 4V0018-0038		
UNITS: IN[mm]			CHECKED: J. PIOTROWSKI DATE: 11-10-14	TECH: J. BORJA DATE: 11-11-14	SIZE: A	REVISION: R00
SCALE: BY VIEW			APPROVED: J. CAIRO DATE: 11-18-14	ORIGINAL DESIGN: -	DATE: -	PAGE: 5 of 5
			DRAWING #: DD.IQPM.FR3.N4			