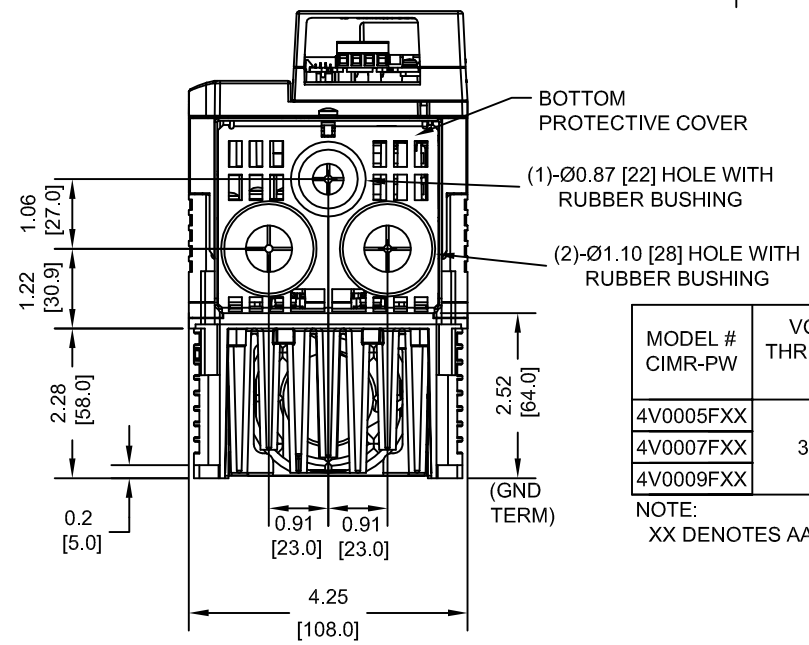
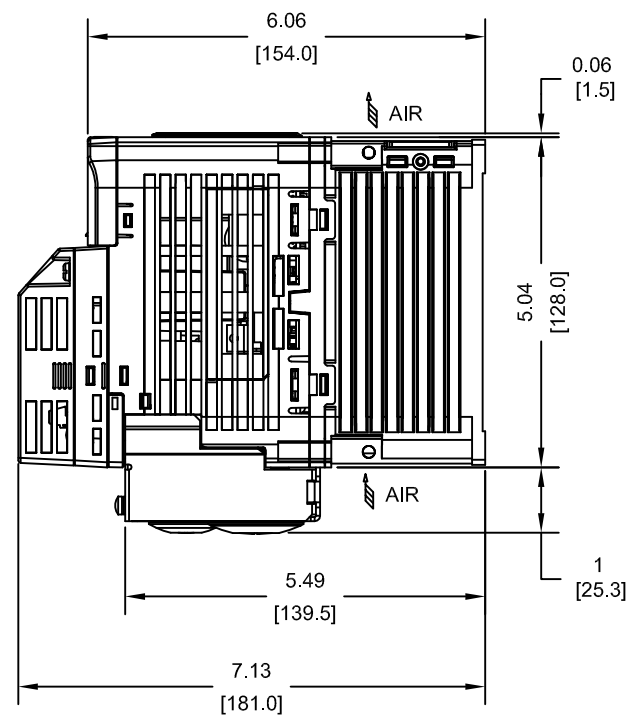
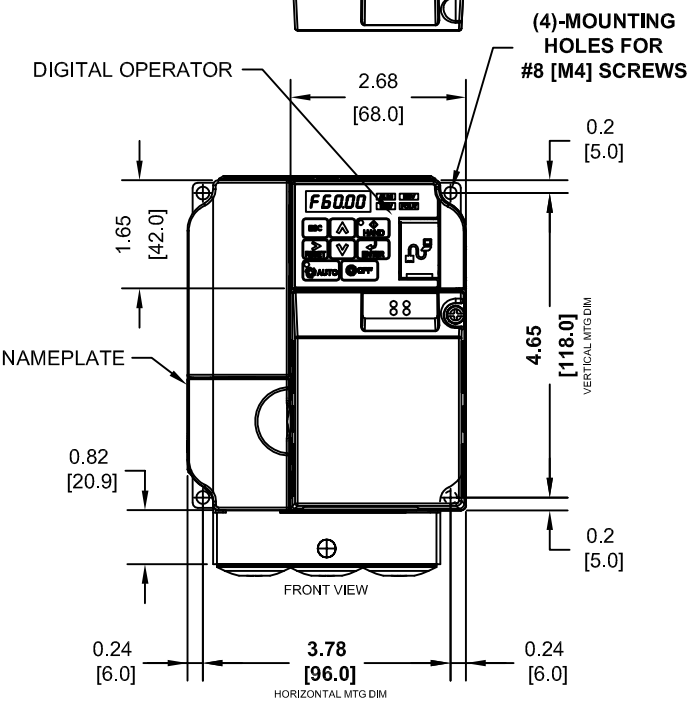


COOLING FAN

TOP PROTECTIVE COVER

**NOTE:**  
 PROTECTIVE COVERS ARE FACTORY INSTALLED TO THE TOP AND BOTTOM OF THE DRIVE TO MEET IP20 & NEMA TYPE 1 REQUIREMENTS, RESULTING IN AN AMBIENT TEMPERATURE RATING OF 104F(40C). REMOVE THESE COVERS WHEN OPERATING THE DRIVE WITHIN A PANEL TO OBTAIN THE MAXIMUM SURROUNDING AIR TEMPERATURE RATING OF 122F(50C). REMOVING THESE COVERS RESULTS IN AN ENCLOSURE RATING OF IP00.



MODEL # CIMR-PW	VOLTAGE THREE PHASE (VAC)	OUTPUT CURRENT (A)	WEIGHT LBS (Kg)	HEAT LOSS (W) (Fc=2kHz)		
				INT	EXT	TOT
4V0005FXX	380/480	5.4	4.2 (1.9)	21.8	44.5	66.3
4V0007FXX		6.9	4.2 (1.9)	28.4	58.5	86.9
4V0009FXX		8.8	4.2 (1.9)	31.4	63.7	95.1

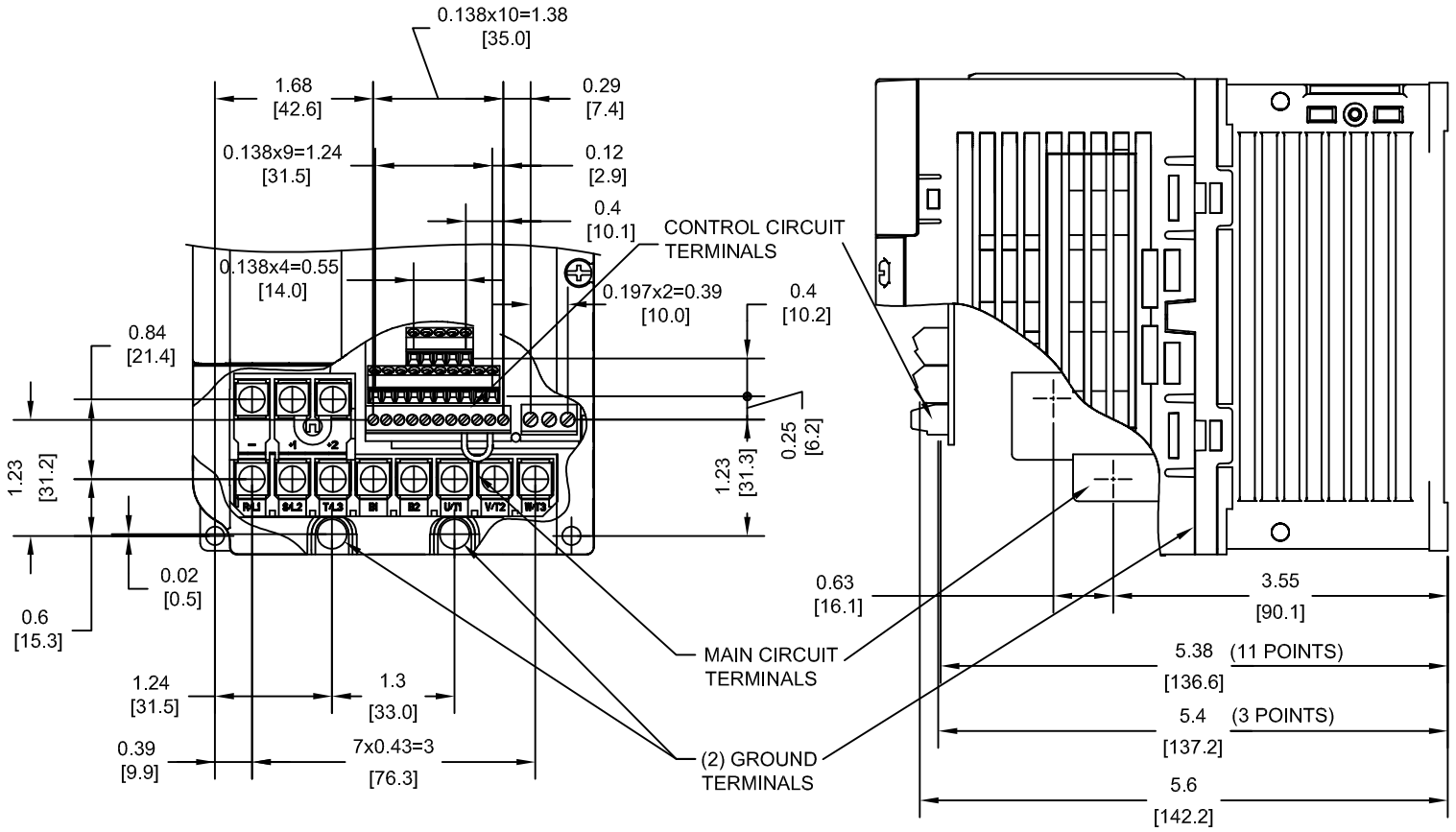
**NOTE:**  
 XX DENOTES AA-ZZ

INT=INTERNAL COMPONENTS  
 EXT=EXTERNAL HEATSINK  
 TOT=TOTAL

FOR ADDITIONAL DETAILS AND SPECIFICATIONS, CONSULT MANUAL

TOLERANCES / REFERENCES:			DRAWN: <b>J. MATTAS</b>	DATE: 10-28-14	TITLE: IQ PUMP MICRO DIMENSION DRAWING FRAME SIZE 9 NEMA TYPE 1 ENCLOSURE 4V0005F, 4V0007F & 4V0009F
			CHECKED: <b>J. PIOTROWSKI</b>	DATE: 10-31-14	
		THIS DOCUMENT AND INFORMATION CONTAINED IN IT ARE CONFIDENTIAL, AND CANNOT BE COPIED OR DISCLOSED IN WHOLE OR IN PART WITHOUT THE EXPRESS WRITTEN CONSENT OF YASKAWA AMERICA, INC.	TECH: <b>J. BORJA</b>	DATE: 10-31-14	SIZE: A REVISION: R00 PAGE: 1 of 4
UNITS: IN[mm]	SCALE: 1:3		APPROVED: <b>J. CAIRO</b>	DATE: 11-18-14	
		ORIGINAL DESIGN: -	DATE: -		

TERMINAL AND WIRING DETAILS (SCALE 1:2)



TERMINAL AND WIRE SPECIFICATIONS FOR MAIN CIRCUIT AND GROUND

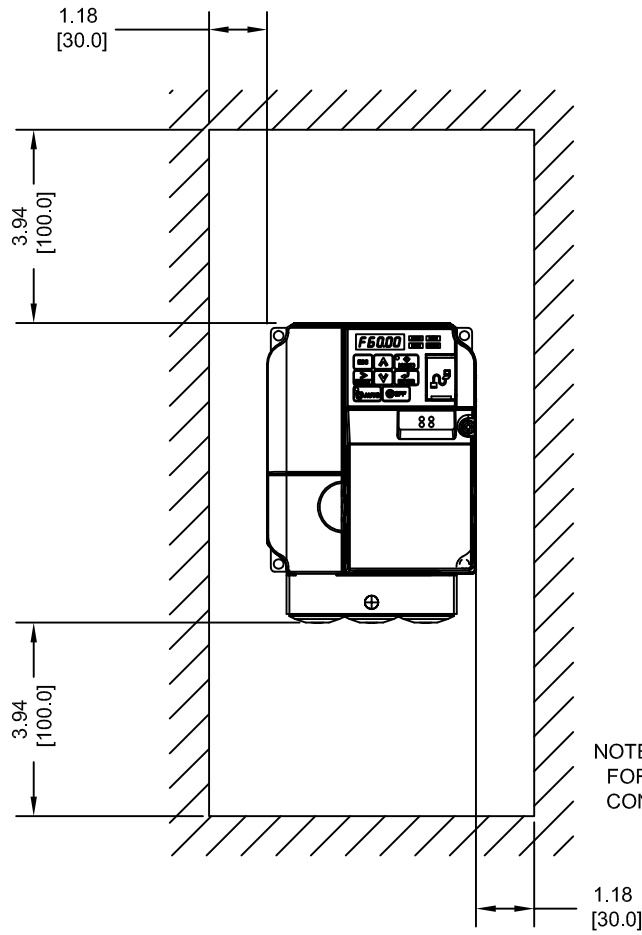
MODEL #	TERMINAL SCREW	CLAMPING TORQUE lb.in.(N.m.)	WIRE RANGE AWG(mm <sup>2</sup> )
4V0005F	M4	10.6 TO 13.3 (1.2 TO 1.5)	22-10 (0.33-5.5)
4V0007F	M4	10.6 TO 13.3 (1.2 TO 1.5)	22-10 (0.33-5.5)
4V0009F	M4	10.6 TO 13.3 (1.2 TO 1.5)	22-10 (0.33-5.5)

NOTE: RATINGS APPLY TO BOTH FACTORY AND FIELD WIRING  
 REFER TO APPLICABLE CODES FOR PROPER WIRE TYPE AND SIZE

FOR ADDITIONAL DETAILS AND SPECIFICATIONS, CONSULT MANUAL

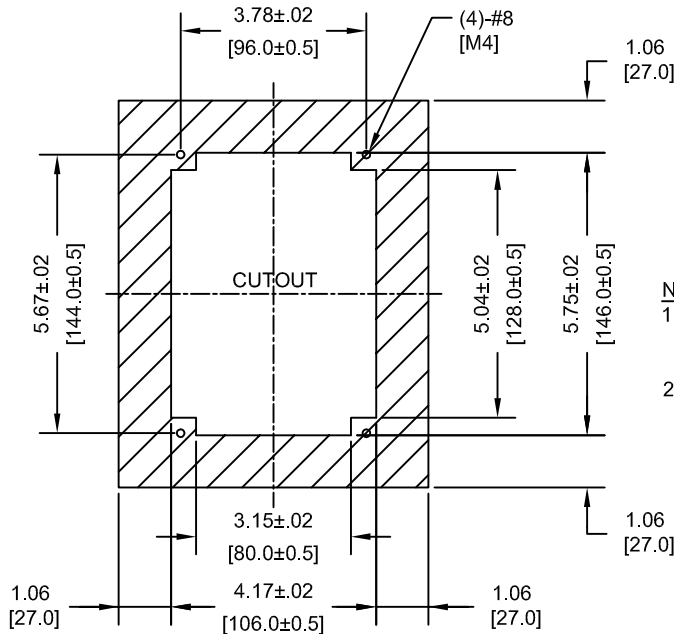
TOLERANCES / REFERENCES:		<p>THIS DOCUMENT AND INFORMATION CONTAINED IN IT ARE CONFIDENTIAL, AND CANNOT BE COPIED OR DISCLOSED IN WHOLE OR IN PART WITHOUT THE EXPRESS WRITTEN CONSENT OF YASKAWA AMERICA, INC.</p>	DRAWN: J. MATTAS CHECKED: J. PIOTROWSKI TECH: J. BORJA APPROVED: J. CAIRO ORIGINAL DESIGN: -	DATE 10-28-14 DATE 10-31-14 DATE 10-31-14 DATE 11-18-14 DATE -	TITLE: IQ PUMP MICRO DIMENSION DRAWING FRAME SIZE 9 NEMA TYPE 1 ENCLOSURE 4V0005F, 4V0007F & 4V0009F
UNITS: IN[mm]	SCALE: BY VIEW		SIZE A REVISION R00 DRAWING #: DD.IQPM.FR9.N1	PAGE 2 of 4	

MINIMUM INSTALLATION CLEARANCES (SCALE 1:4)



NOTE:  
FOR SIDE-BY-SIDE MOUNTING  
CONSULT MANUAL

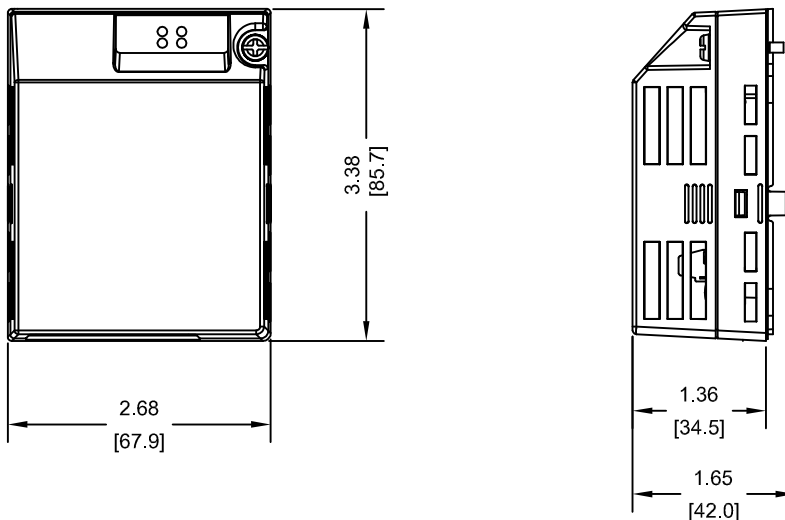
PANEL CUTOUT FOR EXTERNAL HEATSINK  
MOUNTING CONFIGURATION (SCALE 1:4)



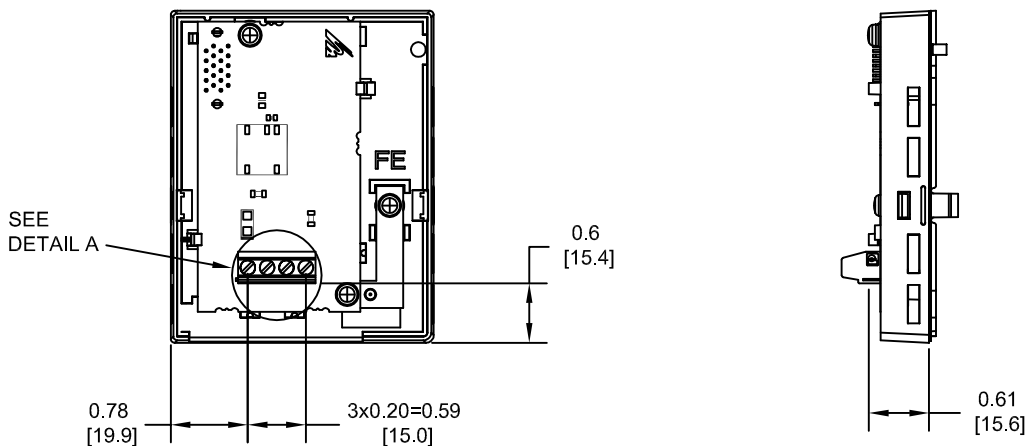
NOTES:  
1. EXTERNAL HEATSINK  
CONFIGURATION REQUIRES  
MOUNTING KIT  
2. EXPOSED HEATSINK  
RECOMMENDED CLEARANCE  
D=2.76" MINUS PANEL THICKNESS

TOLERANCES / REFERENCES:		<p>THIS DOCUMENT AND INFORMATION CONTAINED IN IT ARE CONFIDENTIAL, AND CANNOT BE COPIED OR DISCLOSED IN WHOLE OR IN PART WITHOUT THE EXPRESS WRITTEN CONSENT OF YASKAWA AMERICA, INC.</p>	DRAWN: J. MATTAS	DATE 10-28-14	TITLE: IQ PUMP MICRO DIMENSION DRAWING FRAME SIZE 9 NEMA TYPE 1 ENCLOSURE 4V0005F, 4V0007F & 4V0009F	
			CHECKED: J. PIOTROWSKI	DATE 10-31-14		
			TECH: J. BORJA	DATE 10-31-14		
			APPROVED: J. CAIRO	DATE 11-18-14		
UNITS: IN[mm]	SCALE: BY VIEW	ORIGINAL DESIGN: -	DATE -	SIZE A	REVISION R00	PAGE 3 of 4
			DRAWING #: <b>DD.IQPM.FR9.N1</b>			

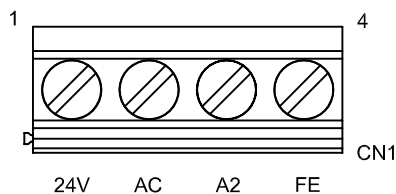
24V OPTION KIT (SCALE 1:2)



24V OPTION KIT (SCALE 1:2)  
COVER REMOVED




DETAIL A (SCALE 2:1)



24V OPTION KIT - SPECIFICATIONS

TERMINAL SCREW	CLAMPING TORQUE lb.in.(N.m.)	WIRE RANGE AWG(mm <sup>2</sup> )	OPTION KIT WEIGHT LBS(Kg)
M3	4.4 TO 5.3 (0.5 TO 0.6)	30-14 (0.05-2.0)	0.1 (0.05)

TOLERANCES / REFERENCES:		 THIS DOCUMENT AND INFORMATION CONTAINED IN IT ARE CONFIDENTIAL, AND CANNOT BE COPIED OR DISCLOSED IN WHOLE OR IN PART WITHOUT THE EXPRESS WRITTEN CONSENT OF YASKAWA AMERICA, INC.	DRAWN: J. MATTAS	DATE 10-28-14	TITLE: IQ PUMP MICRO DIMENSION DRAWING FRAME SIZE 9 NEMA TYPE 1 ENCLOSURE 4V0005F, 4V0007F & 4V0009F	
			CHECKED: J. PIOTROWSKI	DATE 10-31-14		
			TECH: J. BORJA	DATE 10-31-14		
			APPROVED: J. CAIRO	DATE 11-18-14		
UNITS: IN[mm]	SCALE: BY VIEW	ORIGINAL DESIGN: -	DATE -	SIZE A	REVISION R00	PAGE 4 of 4
				DRAWING #: <b>DD.IQPM.FR9.N1</b>		