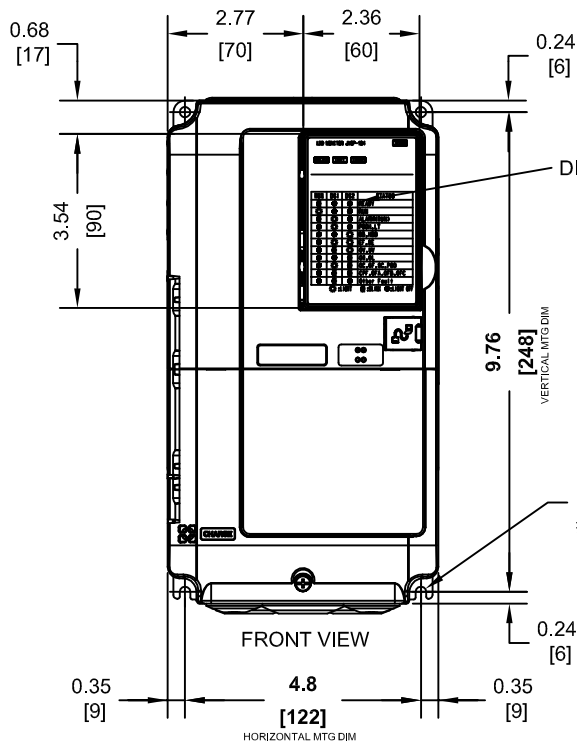


(1) EXTERNAL COOLING FAN

NOTE:  
REMOVE THE TOP PROTECTIVE COVER TO OBTAIN THE  
MAXIMUM SURROUNDING AIR TEMPERATURE RATING OF  
122F(50C).

TOP PROTECTIVE COVER



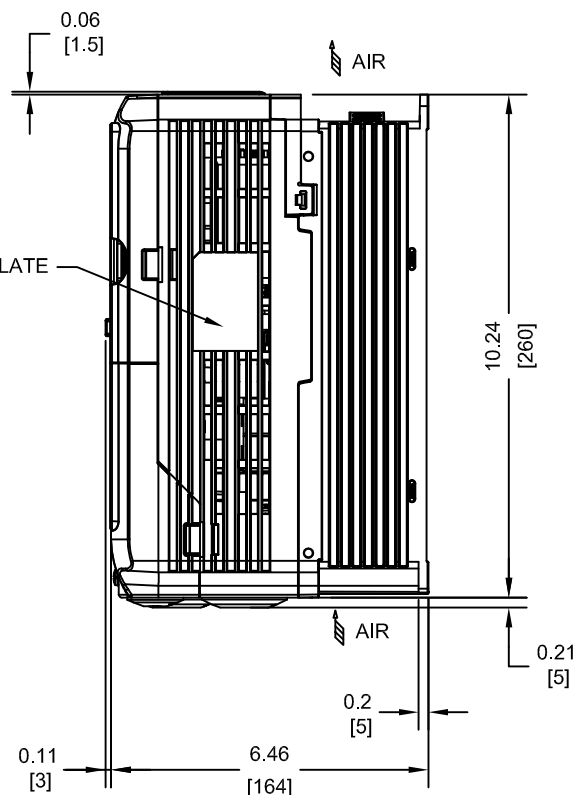
DIGITAL OPERATOR

NAMEPLATE

(4)-MOUNTING HOLES FOR #10[M5] SCREWS

FRONT VIEW

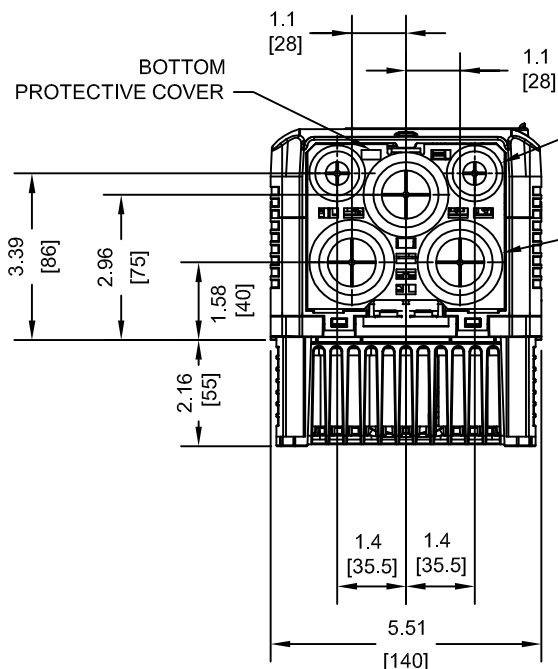
HORIZONTAL MTG DIM



BOTTOM PROTECTIVE COVER

(2) - Ø0.87 [22] HOLE WITH RUBBER BUSHING

(3) - Ø1.38 [35] HOLE WITH RUBBER BUSHING



MODEL # CIMR-LE	VOLTAGE THREE-PHASE (VAC)	OUTPUT CURRENT (A) 3 MIN., 50% ED	WEIGHT LBS (Kg)	HEAT LOSS (W) Fc=8kHz		
				INT	EXT	TOT
2A0018DXX	200/240	17.5	7.7 (3.5)	60.0	77.0	137.0
2A0022DXX	200/240	21.9	7.7 (3.5)	67.4	100.7	168.1
4A0009DXX	380/480	9.0	7.7 (3.5)	55.0	53.0	108.0
4A0012DXX	380/480	11.5	7.7 (3.5)	61.0	68.5	129.5

NOTE:  
XX DENOTES AA-ZZ

INT=INTERNAL COMPONENTS  
EXT=EXTERNAL HEATSINK  
TOT=TOTAL

FOR ADDITIONAL DETAILS AND SPECIFICATIONS, CONSULT MANUAL

TOLERANCES / REFERENCES:



THIS DOCUMENT AND INFORMATION CONTAINED  
IN IT ARE CONFIDENTIAL, AND CANNOT BE  
COPIED OR DISCLOSED IN WHOLE OR IN PART  
WITHOUT THE EXPRESS WRITTEN CONSENT  
OF YASKAWA AMERICA, INC.

DRAWN:  
J. MATTAS

DATE  
11-22-13

TITLE:  
L1000E DIMENSION DRAWING

CHECKED:  
J. PIOTROWSKI

DATE  
11-24-13

FRAME SIZE 2

TECH:  
L. UDDIN

DATE  
12-2-13

IP00 ENCLOSURE

APPROVED:  
J. CAIRO

DATE  
12-21-13

2A0018 - 22, 4A0009 - 12

ORIGINAL DESIGN:

DATE  
-

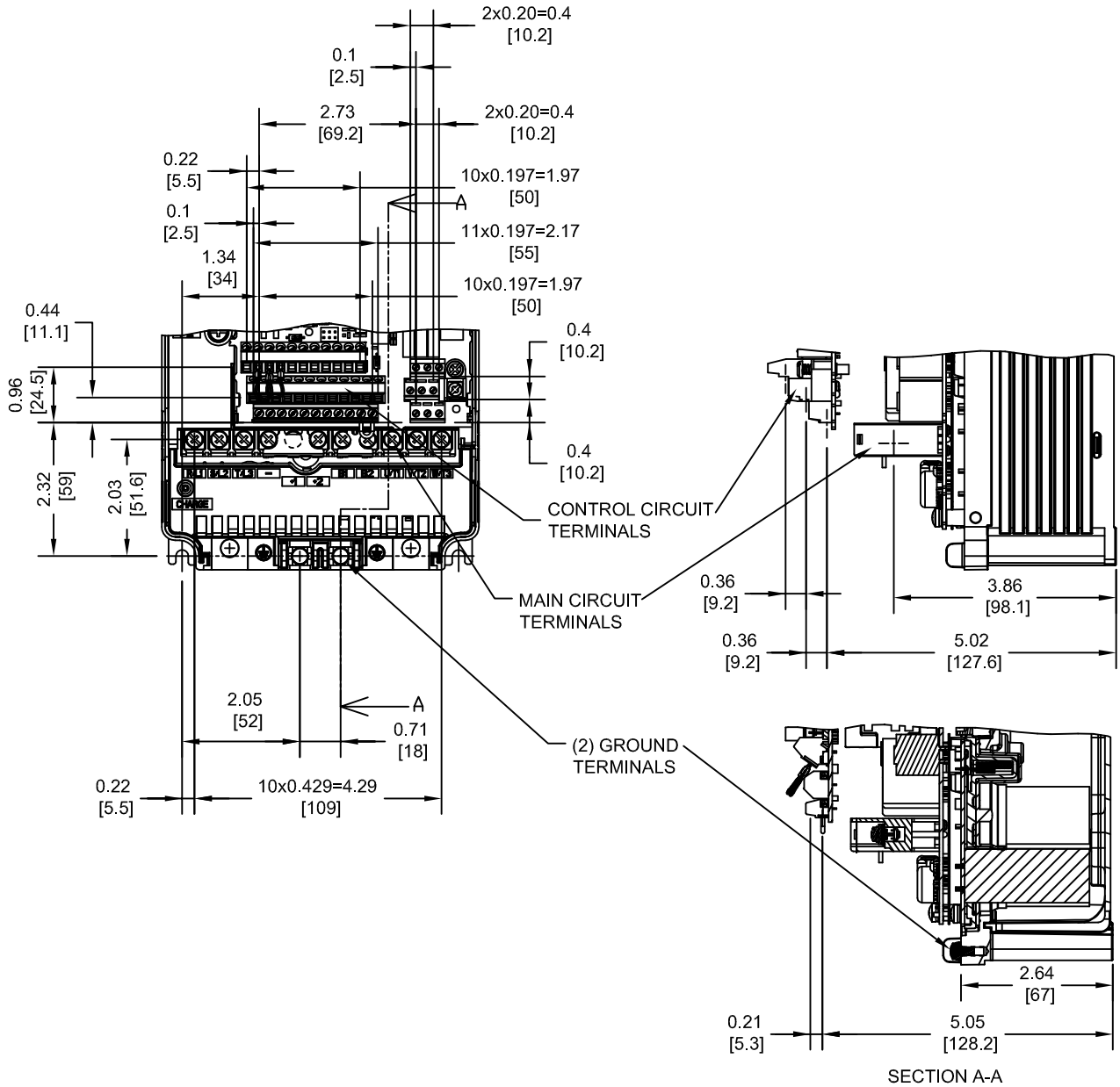
SIZE A	REVISION R00	PAGE 1 of 3
-----------	-----------------	----------------

UNITS:  
IN [mm]

SCALE:  
1: 4

DRAWING #:  
**DD.L1KE.FR2.IP00**

TERMINAL AND WIRING DETAILS (SCALE 1:3)



TERMINAL AND WIRE SPECIFICATIONS FOR  
MAIN CIRCUIT AND GROUND

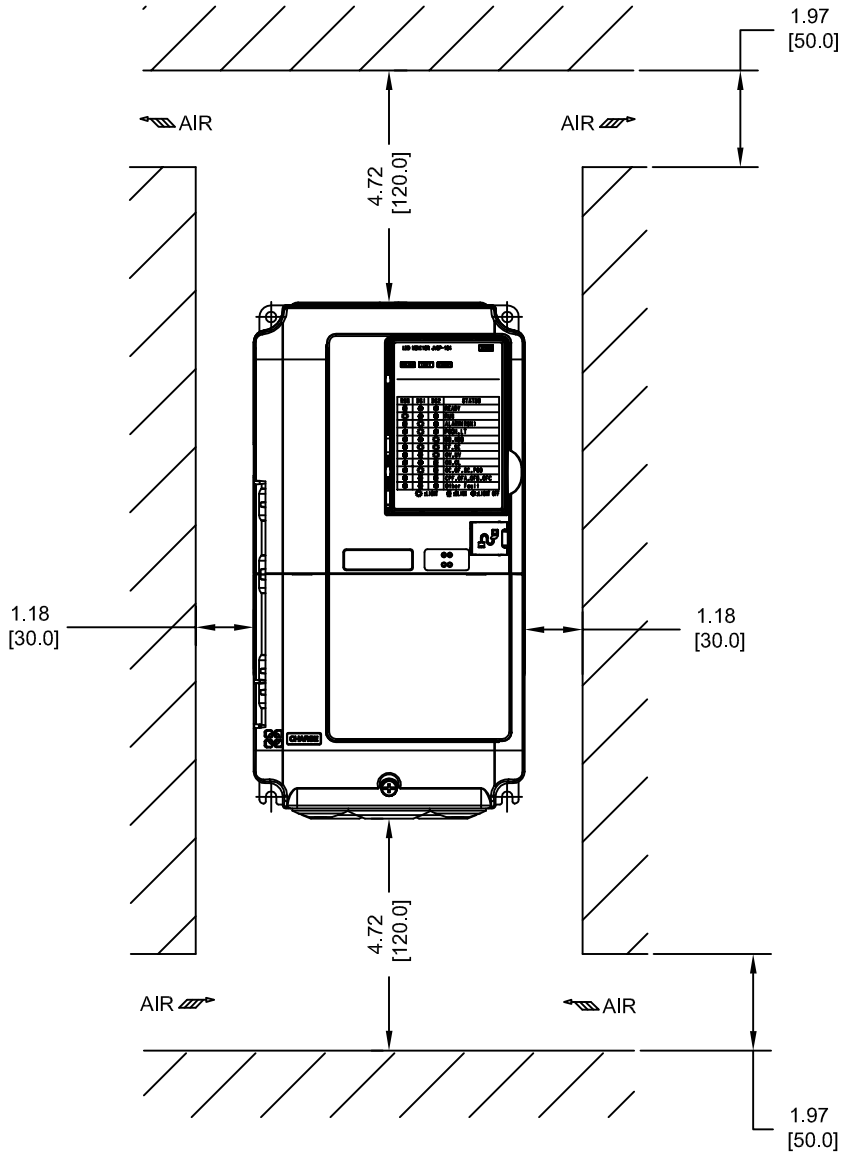
MODEL # CIMR-LE	TERMINAL SYMBOL	TERMINAL SCREW	CLAMPING TORQUE lb.in.(N.m.)	WIRE RANGE AWG(mm <sup>2</sup> )
2A0018 2A0022 4A0009 4A0012	R/L1, S/L2, T/L3, ⊖, ⊕1, ⊕2, B1, B2, U/T1, V/T2, W/T3, ⊕	M4	10.6 TO 13.2 (1.2 TO 1.5)	14-10 (2.5-6.0)

NOTE: REFER TO APPLICABLE CODES FOR PROPER WIRE TYPE AND SIZE


FOR ADDITIONAL DETAILS AND SPECIFICATIONS, CONSULT MANUAL

TOLERANCES / REFERENCES:		<p>THIS DOCUMENT AND INFORMATION CONTAINED IN IT ARE CONFIDENTIAL, AND CANNOT BE COPIED OR DISCLOSED IN WHOLE OR IN PART WITHOUT THE EXPRESS WRITTEN CONSENT OF YASKAWA AMERICA, INC.</p>	DRAWN: J. MATTAS CHECKED: J. PIOTROWSKI TECH: L. UDDIN APPROVED: J. CAIRO ORIGINAL DESIGN: -	DATE: 11-22-13 DATE: 11-24-13 DATE: 12-2-13 DATE: 12-21-13 DATE: -	TITLE: L1000E DIMENSION DRAWING FRAME SIZE 2 IP00 ENCLOSURE 2A0018 - 22, 4A0009 - 12 SIZE: A REVISION: R00 PAGE: 2 of 3 DRAWING #: DD.L1KE.FR2.IP00
UNITS: IN [mm]	SCALE: BY VIEW				

MINIMUM INSTALLATION CLEARANCES (SCALE 1:4)



FOR ADDITIONAL DETAILS AND SPECIFICATIONS, CONSULT MANUAL

TOLERANCES / REFERENCES:		 THIS DOCUMENT AND INFORMATION CONTAINED IN IT ARE CONFIDENTIAL, AND CANNOT BE COPIED OR DISCLOSED IN WHOLE OR IN PART WITHOUT THE EXPRESS WRITTEN CONSENT OF YASKAWA AMERICA, INC.	DRAWN: J. MATTAS	DATE: 11-22-13	TITLE: L1000E DIMENSION DRAWING FRAME SIZE 2 IP00 ENCLOSURE 2A0018 - 22, 4A0009 - 12		
			CHECKED: J. PIOTROWSKI	DATE: 11-24-13			
			TECH: L. UDDIN	DATE: 12-2-13			
			APPROVED: J. CAIRO	DATE: 12-21-13			
UNITS: IN [mm]	SCALE: BY VIEW	ORIGINAL DESIGN: -	DATE: -	DRAWING #: DD.L1KE.FR2.IP00	SIZE: A	REVISION: R00	PAGE: 3 of 3