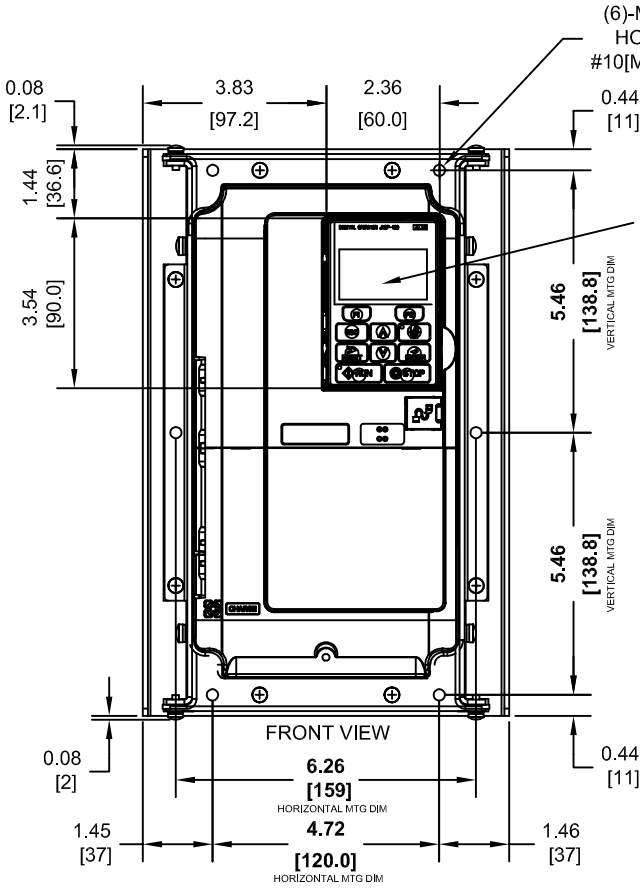
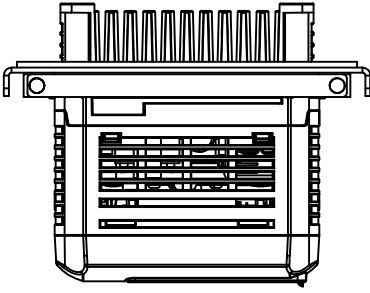


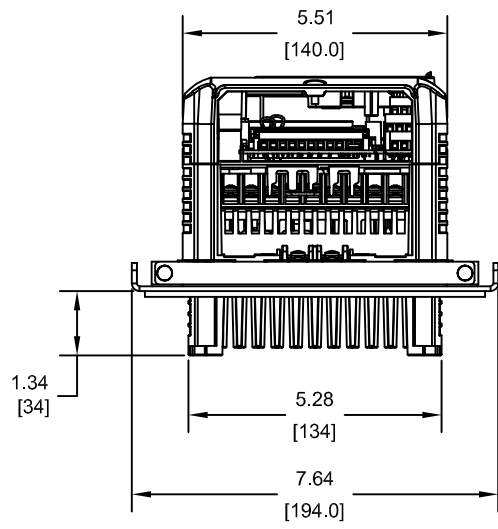
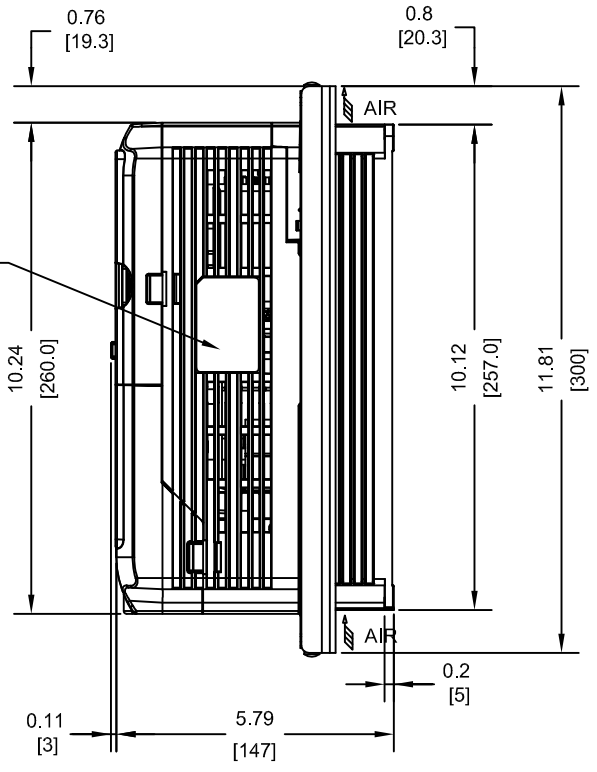
NOTE:
MAXIMUM SURROUNDING AIR TEMPERATURE RATING IS 122F(50C).



(6)-MOUNTING HOLES FOR #10[M5] SCREWS

DIGITAL OPERATOR

NAMEPLATE



MODEL # CIMR-PU	VOLTAGE THREE-PHASE (VAC)	OUTPUT CURRENT (A)	WEIGHT LBS (Kg)	HEAT LOSS (W) (Fc=2kHz)		
				INT	EXT	TOT
2A0004UXX	200/240	3.5	7.3 (3.3)	47.3	18.4	65.7
2A0006UXX		6.0	7.3 (3.3)	51.4	30.8	82.2
2A0008UXX		8.0	7.5 (3.4)	52.1	42.9	95.0
2A0010UXX		9.6	7.5 (3.4)	58.4	56.7	115.1
2A0012UXX		12.0	7.5 (3.4)	64.4	76.9	141.3
4A0002UXX	380/480	2.1	7.5 (3.4)	47.9	19.8	67.7
4A0004UXX		4.1	7.5 (3.4)	49.2	32.1	81.3
4A0005UXX		5.4	7.5 (3.4)	52.8	44.6	97.4
5A0003UXX	500/600	2.7	7.5 (3.4)	23.3	21.5	44.8
5A0004UXX		3.9	7.5 (3.4)	33.6	27.5	61.1

NOTE:
XX DENOTES AA-ZZ

INT=INTERNAL COMPONENTS
EXT=EXTERNAL HEATSINK
TOT=TOTAL

FOR ADDITIONAL DETAILS AND SPECIFICATIONS, CONSULT MANUAL

TOLERANCES / REFERENCES:

UNITS: IN [mm]
SCALE: 1:4

YASKAWA
THIS DOCUMENT AND INFORMATION CONTAINED IN IT ARE CONFIDENTIAL, AND CANNOT BE COPIED OR DISCLOSED IN WHOLE OR IN PART WITHOUT THE EXPRESS WRITTEN CONSENT OF YASKAWA AMERICA, INC.

DRAWN: J. MATTAS
CHECKED: J. PIOTROWSKI
TECH: J. BORJA
APPROVED: J. CAIRO
ORIGINAL DESIGN: -

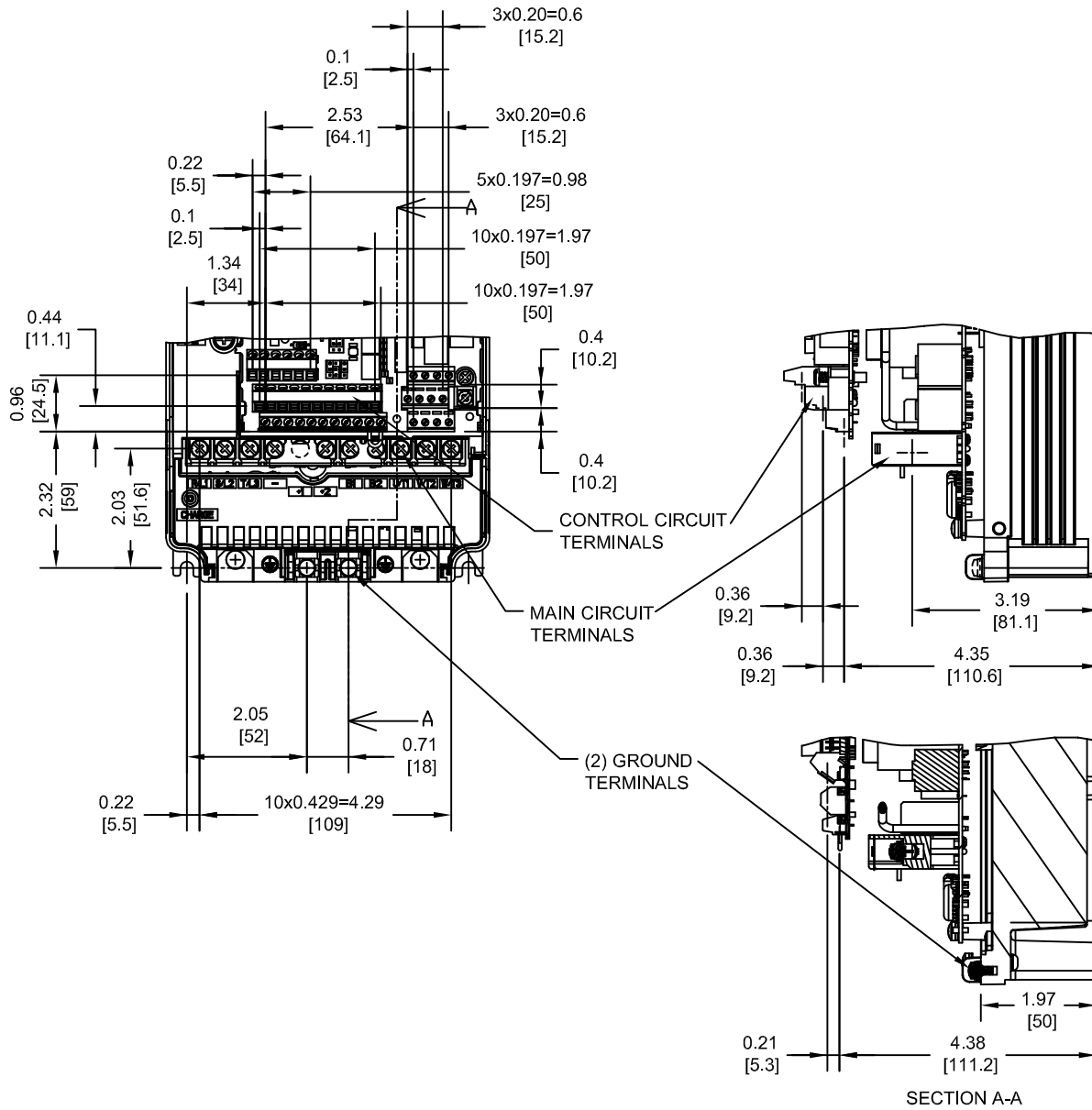
DATE: 11-6-12
DATE: 1-17-13
DATE: 1-22-13
DATE: 5-29-13
DATE: -

TITLE: P1000 DIMENSION DRAWING
FRAME SIZE 1
DESIGNED FOR IP54/N12 ENCLOSURES
2A0004 - 12, 4A0002 - 05, 5A0003 - 04

SIZE: A
REVISION: R00
PAGE: 1 of 3

DRAWING #: **DD.P1K.FR1.FLNG**

TERMINAL AND WIRING DETAILS (SCALE 1:3)



TERMINAL AND WIRE SPECIFICATIONS FOR MAIN CIRCUIT AND GROUND

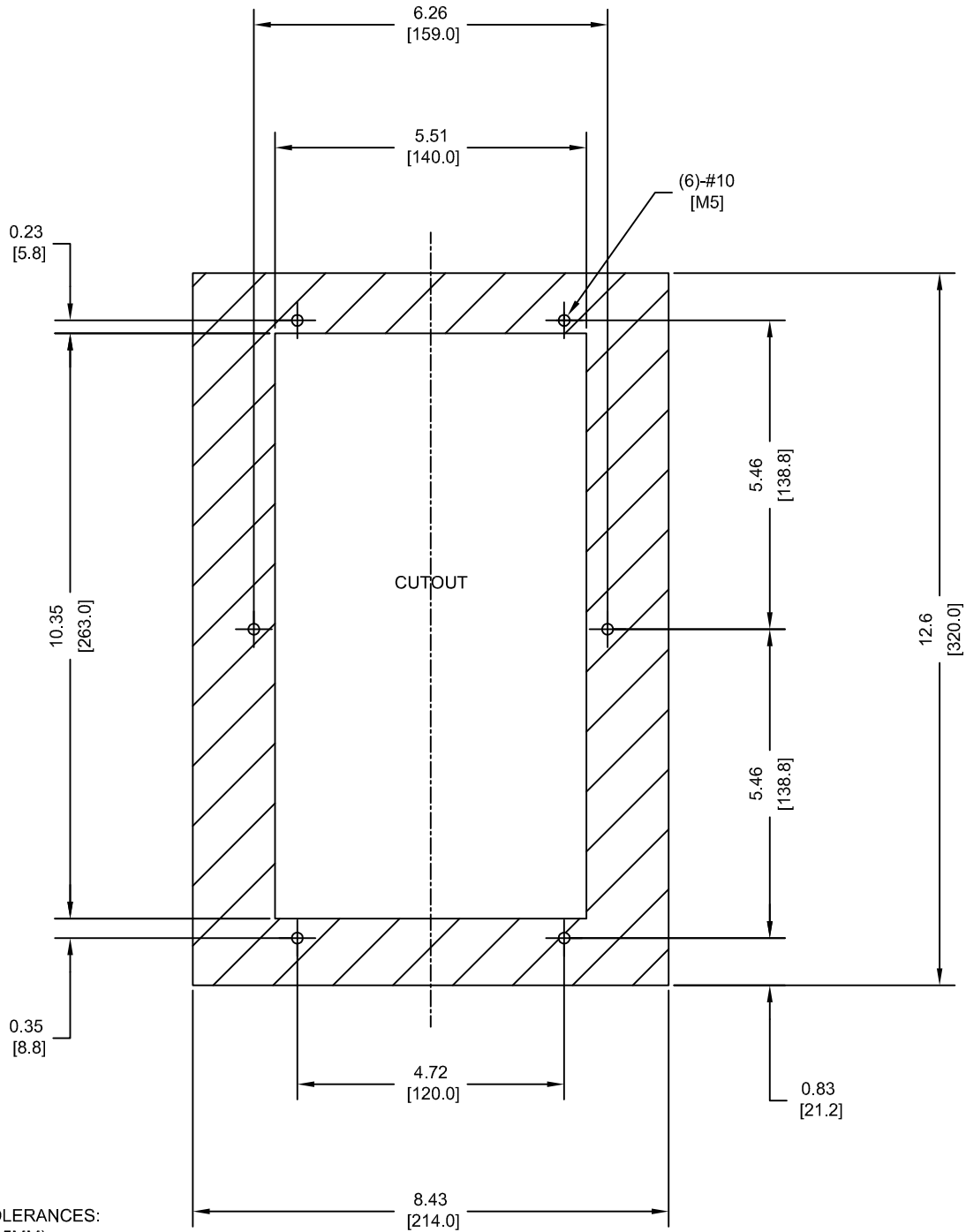
MODEL # CIMR-PU	TERMINAL SYMBOL	TERMINAL SCREW	CLAMPING TORQUE lb.in. (N.m.)	WIRE RANGE AWG (mm ²)
2A0004 2A0006 2A0008 2A0010 2A0012 4A0002 4A0004 4A0005 5A0003 5A0004	R/L1, S/L2, T/L3, Q, ⊕1, ⊕2, B1, B2, U/T1, V/T2, W/T3, ⊕	M4	10.6 TO 13.2 (1.2 TO 1.5)	14-10 (2.5-6.0)

NOTE: REFER TO APPLICABLE CODES FOR PROPER WIRE TYPE AND SIZE

FOR ADDITIONAL DETAILS AND SPECIFICATIONS, CONSULT MANUAL


TOLERANCES / REFERENCES:			DRAWN: J. MATTAS DATE: 11-6-12	TITLE: P1000 DIMENSION DRAWING FRAME SIZE 1 DESIGNED FOR IP54/N12 ENCLOSURES 2A0004 - 12, 4A0002 - 05, 5A0003 - 04	
UNITS: IN [mm]			CHECKED: J. PIOTROWSKI DATE: 1-17-13	TECH: J. BORJA DATE: 1-22-13	SIZE: A
SCALE: BY VIEW		APPROVED: J. CAIRO DATE: 5-29-13	ORIGINAL DESIGN: -	DATE: -	PAGE: 2 of 3
		THIS DOCUMENT AND INFORMATION CONTAINED IN IT ARE CONFIDENTIAL, AND CANNOT BE COPIED OR DISCLOSED IN WHOLE OR IN PART WITHOUT THE EXPRESS WRITTEN CONSENT OF YASKAWA AMERICA, INC.		DRAWING #: DD.P1K.FR1.FLNG	

PANEL CUTOUT FOR EXTERNAL HEATSINK
MOUNTING CONFIGURATION (SCALE 1:3)



- NOTES:**
- CUTOUT TOLERANCES:
+/- 0.02IN (0.5MM)
 - EXPOSED HEATSINK
RECOMMENDED CLEARANCE
D=1.97" MINUS PANEL THICKNESS

FOR ADDITIONAL DETAILS AND SPECIFICATIONS, CONSULT MANUAL

TOLERANCES / REFERENCES:		 THIS DOCUMENT AND INFORMATION CONTAINED IN IT ARE CONFIDENTIAL, AND CANNOT BE COPIED OR DISCLOSED IN WHOLE OR IN PART WITHOUT THE EXPRESS WRITTEN CONSENT OF YASKAWA AMERICA, INC.	DRAWN: J. MATTAS DATE: 11-6-12	TITLE: P1000 DIMENSION DRAWING FRAME SIZE 1 DESIGNED FOR IP54/N12 ENCLOSURES 2A0004 - 12, 4A0002 - 05, 5A0003 - 04	
UNITS: IN [mm]	SCALE: BY VIEW		CHECKED: J. PIOTROWSKI DATE: 1-17-13	SIZE: A	REVISION: R00
		TECH: J. BORJA DATE: 1-22-13	APPROVED: J. CAIRO DATE: 5-29-13	DRAWING #: DD.P1K.FR1.FLNG	
		ORIGINAL DESIGN: -	DATE: -		