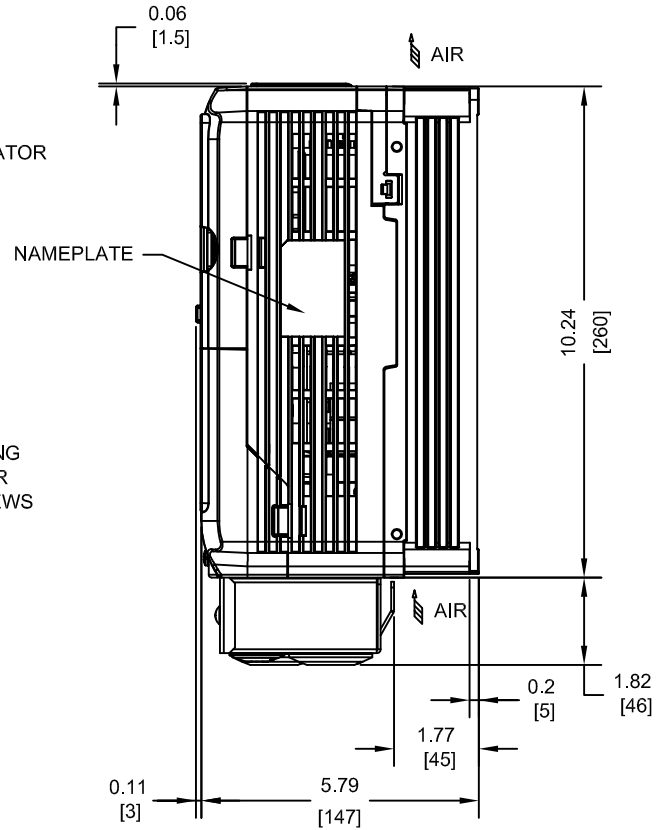
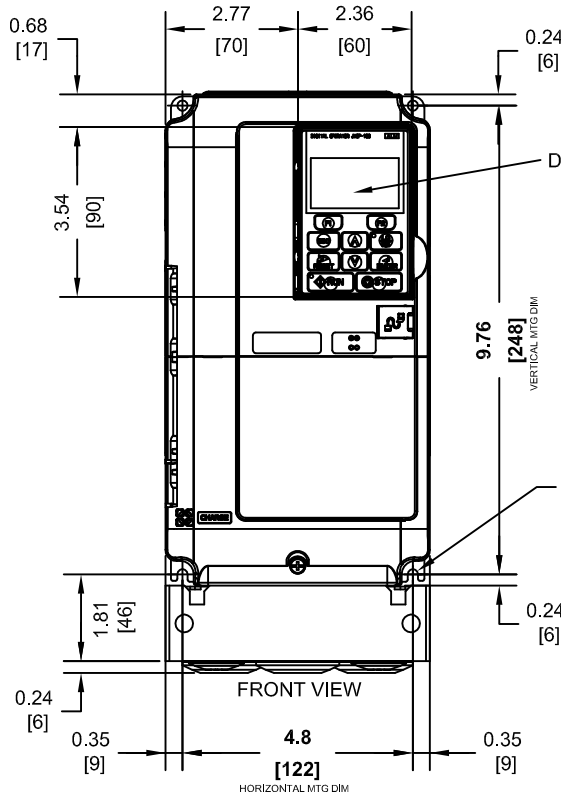


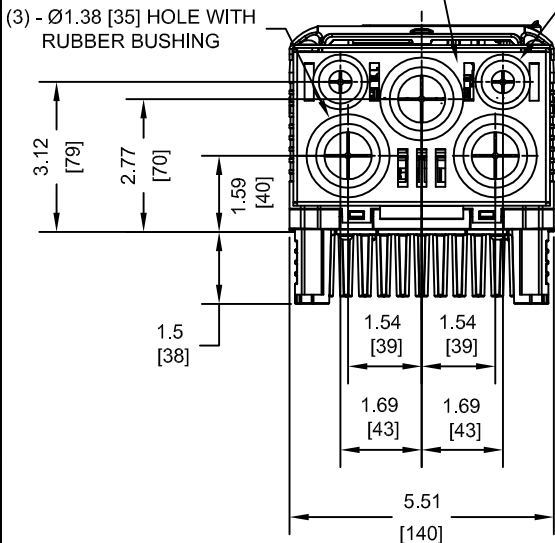
TOP PROTECTIVE COVER

NOTE:
 PROTECTIVE COVERS ARE FACTORY INSTALLED TO THE TOP AND BOTTOM OF THE DRIVE TO MEET IP20 & NEMA TYPE 1 REQUIREMENTS, RESULTING IN AN AMBIENT TEMPERATURE RATING OF 104F(40C). REMOVE THESE COVERS WHEN OPERATING THE DRIVE WITHIN A PANEL TO OBTAIN THE MAXIMUM SURROUNDING AIR TEMPERATURE RATING OF 122F(50C). REMOVING THESE COVERS RESULTS IN AN ENCLOSURE RATING OF IP00.



(4)-MOUNTING HOLES FOR #10[M5] SCREWS

BOTTOM PROTECTIVE COVER (2) - Ø0.87 [22] HOLE WITH RUBBER BUSHING



MODEL # CIMR-PU	VOLTAGE THREE-PHASE (VAC)	OUTPUT CURRENT (A)	WEIGHT LBS (Kg)	HEAT LOSS (W) (Fc=2kHz)		
				INT	EXT	TOT
2A0004FXX	200/240	3.5	7.3 (3.3)	47.3	18.4	65.7
2A0006FXX		6.0	7.3 (3.3)	51.4	30.8	82.2
2A0008FXX		8.0	7.5 (3.4)	52.1	42.9	95.0
2A0010FXX		9.6	7.5 (3.4)	58.4	56.7	115.1
2A0012FXX		12.0	7.5 (3.4)	64.4	76.9	141.4
4A0002FXX	380/480	2.1	7.5 (3.4)	47.9	19.8	67.6
4A0004FXX		4.1	7.5 (3.4)	49.2	32.1	81.3
4A0005FXX		5.4	7.5 (3.4)	52.8	44.6	97.4
5A0003FXX	500/600	2.7	7.5 (3.4)	23.3	21.5	44.8
5A0004FXX		3.9	7.5 (3.4)	33.6	27.5	61.1

NOTE:
 XX DENOTES AA-ZZ

INT=INTERNAL COMPONENTS
 EXT=EXTERNAL HEATSINK
 TOT=TOTAL

FOR ADDITIONAL DETAILS AND SPECIFICATIONS, CONSULT MANUAL

TOLERANCES / REFERENCES:

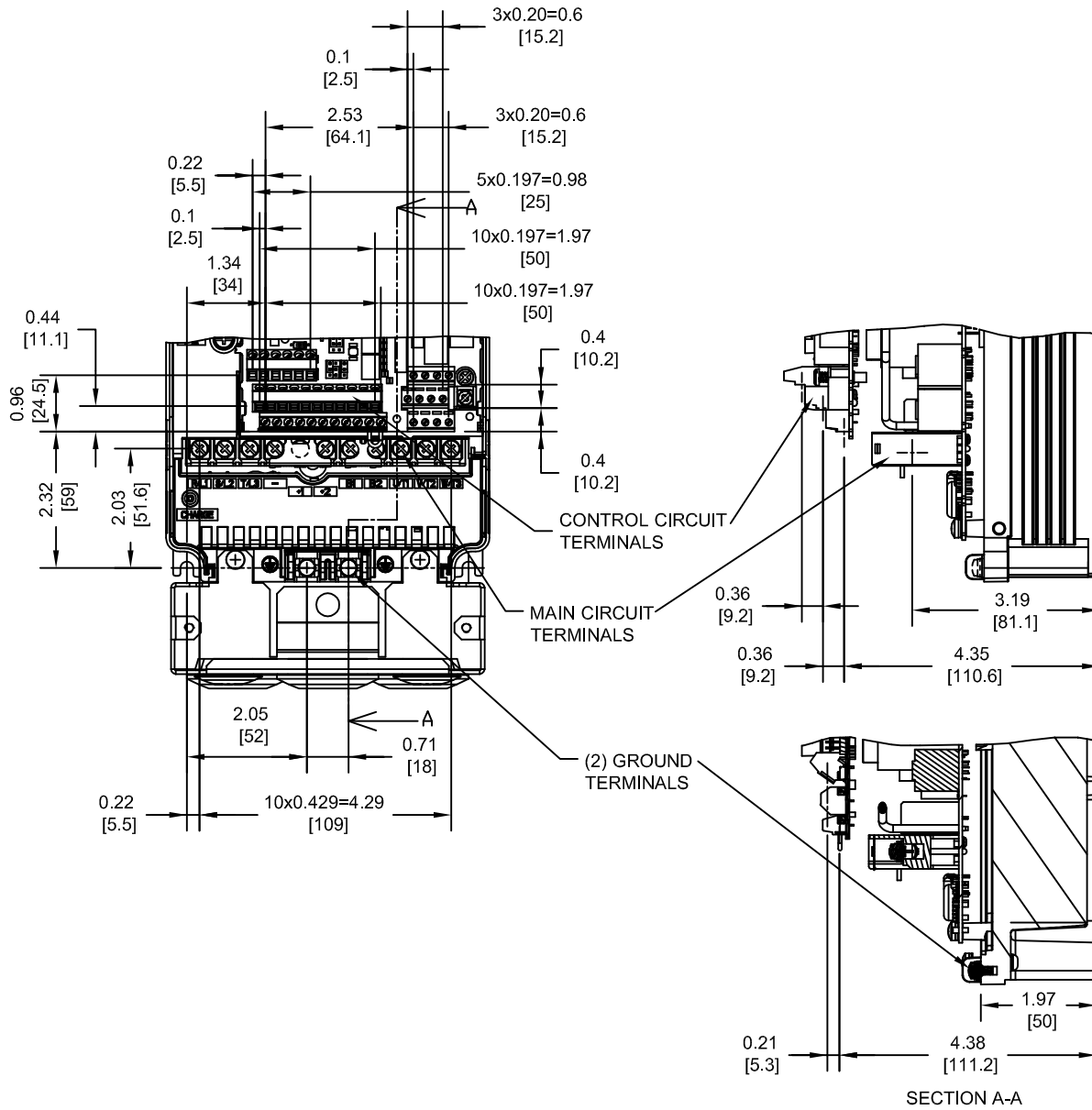


THIS DOCUMENT AND INFORMATION CONTAINED IN IT ARE CONFIDENTIAL, AND CANNOT BE COPIED OR DISCLOSED IN WHOLE OR IN PART WITHOUT THE EXPRESS WRITTEN CONSENT OF YASKAWA AMERICA, INC.

DRAWN: J. MATTAS	DATE 12-9-11	TITLE: P1000 DIMENSION DRAWING
CHECKED: J. PIOTROWSKI	DATE 1-5-12	FRAME SIZE 1
TECH: J. BORJA	DATE 1-9-12	NEMA TYPE 1 ENCLOSURE
APPROVED: J. CAIRO	DATE 1-10-12	2A0004 - 12, 4A0002 - 05, 5A0003 - 04
ORIGINAL DESIGN: -	DATE -	SIZE: A REVISION: R00 PAGE: 1 of 3
		DRAWING #: DD.P1K.FR1.N1

UNITS: IN [mm] SCALE: 1:4

TERMINAL AND WIRING DETAILS (SCALE 1:3)



TERMINAL AND WIRE SPECIFICATIONS FOR MAIN CIRCUIT AND GROUND

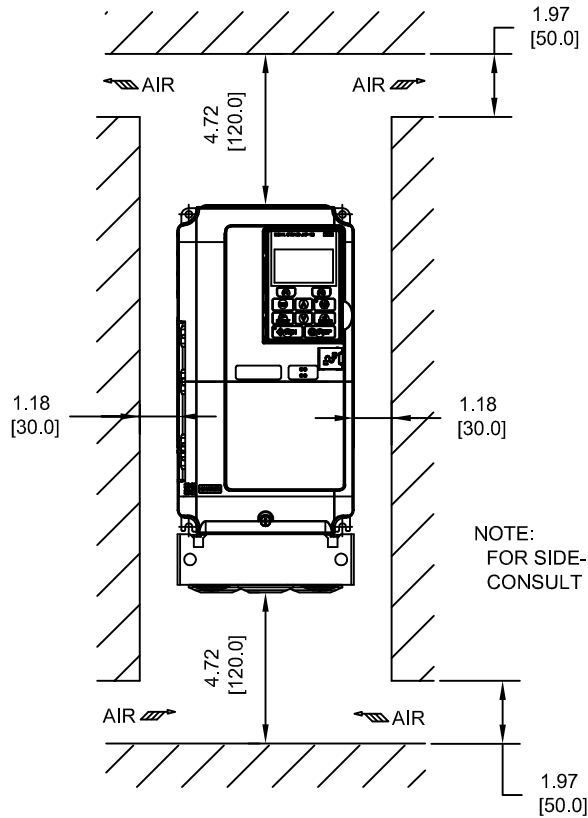
MODEL # CIMR-PU	TERMINAL SYMBOL	TERMINAL SCREW	CLAMPING TORQUE lb.in. (N.m.)	WIRE RANGE AWG(mm ²)
2A0004 2A0006 2A0008 2A0010 2A0012 4A0002 4A0004 4A0005 5A0003 5A0004	R/L1, S/L2, T/L3, Q, ⊕1, ⊕2, B1, B2, U/T1, V/T2, W/T3, ⊕	M4	10.6 TO 13.2 (1.2 TO 1.5)	14-10 (2.5-6.0)

NOTE: REFER TO APPLICABLE CODES FOR PROPER WIRE TYPE AND SIZE

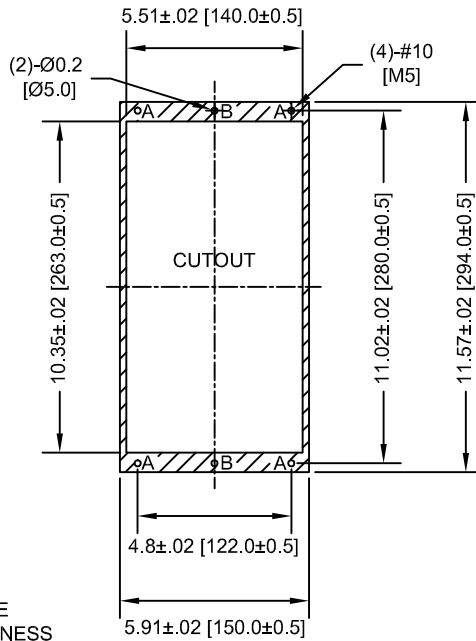
FOR ADDITIONAL DETAILS AND SPECIFICATIONS, CONSULT MANUAL

TOLERANCES / REFERENCES:			DRAWN: J. MATTAS DATE: 12-9-11	TITLE: P1000 DIMENSION DRAWING		
			CHECKED: J. PIOTROWSKI DATE: 1-5-12	FRAME SIZE 1 NEMA TYPE 1 ENCLOSURE 2A0004 - 12, 4A0002 - 05, 5A0003 - 04		
		THIS DOCUMENT AND INFORMATION CONTAINED IN IT ARE CONFIDENTIAL, AND CANNOT BE COPIED OR DISCLOSED IN WHOLE OR IN PART WITHOUT THE EXPRESS WRITTEN CONSENT OF YASKAWA AMERICA, INC.	TECH: J. BORJA DATE: 1-9-12	SIZE: A	REVISION: R00	PAGE: 2 of 3
UNITS: IN [mm]	SCALE: BY VIEW		APPROVED: J. CAIRO DATE: 1-10-12	ORIGINAL DESIGN: -	DATE: -	DRAWING #: DD.P1K.FR1.N1

MINIMUM INSTALLATION CLEARANCES (SCALE 1:6)



PANEL CUTOUT FOR EXTERNAL HEATSINK MOUNTING CONFIGURATION (SCALE 1:6)



- NOTES:**
- EXTERNAL HEATSINK CONFIGURATION REQUIRES MOUNTING KIT
 - EXPOSED HEATSINK RECOMMENDED CLEARANCE D=1.97" MINUS PANEL THICKNESS

FOR ADDITIONAL DETAILS AND SPECIFICATIONS, CONSULT MANUAL

TOLERANCES / REFERENCES:			DRAWN: J. MATTAS 12-9-11	DATE: 12-9-11	TITLE: P1000 DIMENSION DRAWING		
			CHECKED: J. PIOTROWSKI 1-5-12	DATE: 1-5-12	FRAME SIZE 1 NEMA TYPE 1 ENCLOSURE 2A0004 - 12, 4A0002 - 05, 5A0003 - 04		
		TECH: J. BORJA 1-9-12	DATE: 1-9-12	SIZE: A	REVISION: R00	PAGE: 3 of 3	
		APPROVED: J. CAIRO 1-10-12	DATE: 1-10-12	DRAWING #: DD.P1K.FR1.N1			
UNITS: IN [mm]	SCALE: BY VIEW	THIS DOCUMENT AND INFORMATION CONTAINED IN IT ARE CONFIDENTIAL, AND CANNOT BE COPIED OR DISCLOSED IN WHOLE OR IN PART WITHOUT THE EXPRESS WRITTEN CONSENT OF YASKAWA AMERICA, INC.		ORIGINAL DESIGN: -	DATE: -		