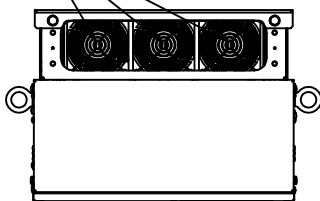
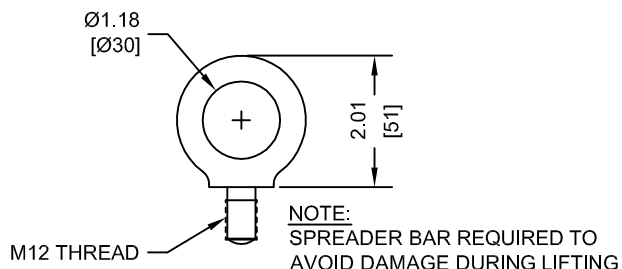


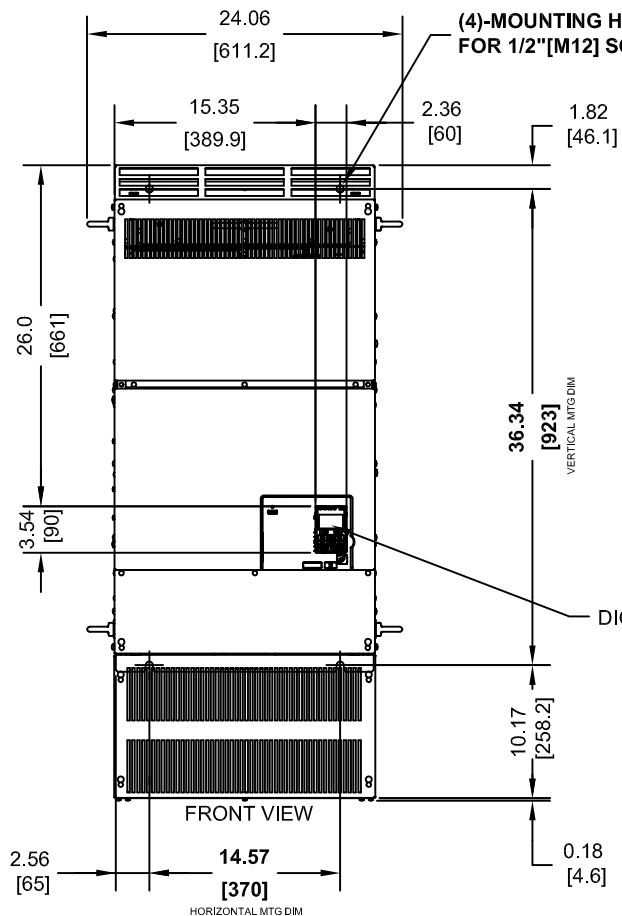
(3) EXTERNAL COOLING FANS



LIFTING AND EYEBOLT DETAILS

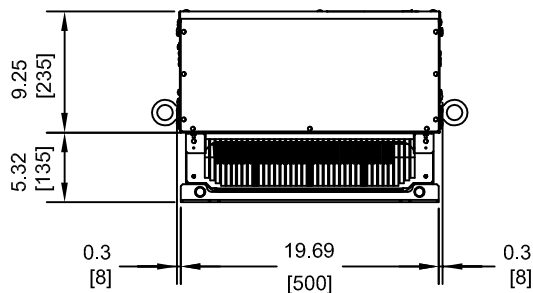
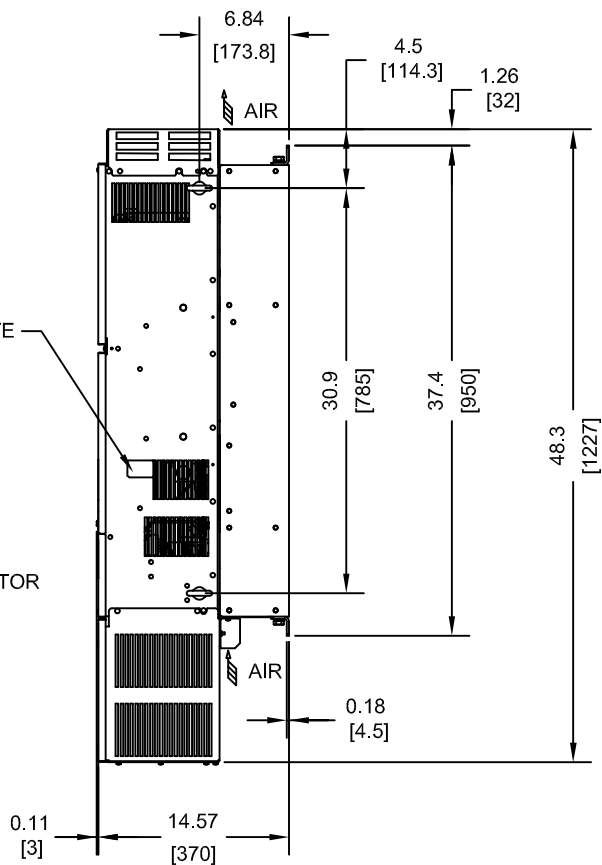


(4)-MOUNTING HOLES FOR 1/2" [M12] SCREWS



NAMEPLATE

DIGITAL OPERATOR



MODEL # CIMR-PU	VOLTAGE THREE-PHASE (VAC)	OUTPUT CURRENT (A)	WEIGHT LBS (Kg)	HEAT LOSS (W) (Fc=2kHz)		
				INT	EXT	TOT
4X0414XXX	380/480	414	292 (133)	1295	3443	4738

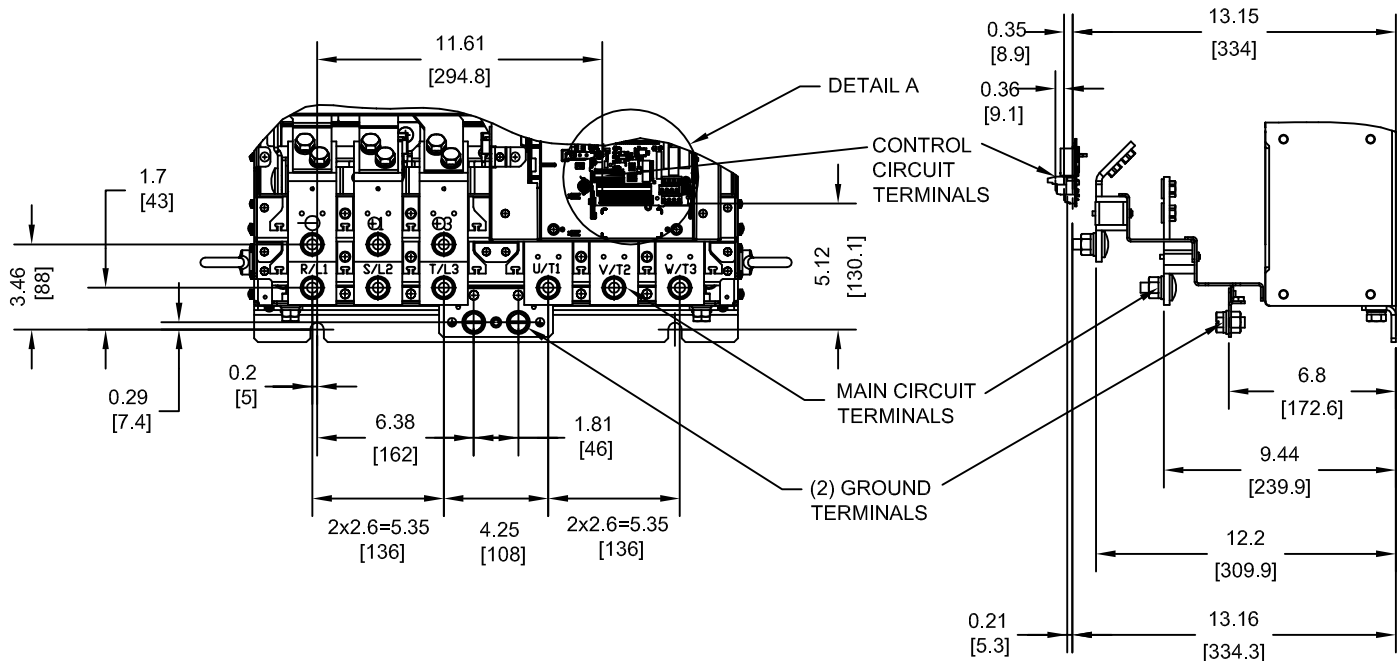
NOTES:  
X DENOTES A-Z

INT=INTERNAL COMPONENTS  
EXT=EXTERNAL HEATSINK  
TOT=TOTAL

FOR ADDITIONAL DETAILS AND SPECIFICATIONS, CONSULT MANUAL

TOLERANCES / REFERENCES:		<p>THIS DOCUMENT AND INFORMATION CONTAINED IN IT ARE CONFIDENTIAL, AND CANNOT BE COPIED OR DISCLOSED IN WHOLE OR IN PART WITHOUT THE EXPRESS WRITTEN CONSENT OF YASKAWA AMERICA, INC.</p>	DRAWN: J. MATTAS DATE 12-9-11	TITLE: P1000 DIMENSION DRAWING FRAME SIZE 13 NEMA TYPE 1 ENCLOSURE 4X0414	
UNITS: IN [mm]	SCALE: 1:15		CHECKED: J. PIOTROWSKI DATE 1-5-12	SIZE A	REVISION R00
			TECH: J. BORJA DATE 1-9-12	PAGE 1 of 3	
			APPROVED: J. CAIRO DATE 1-10-12	DRAWING #: DD.P1K.FR13.N1	

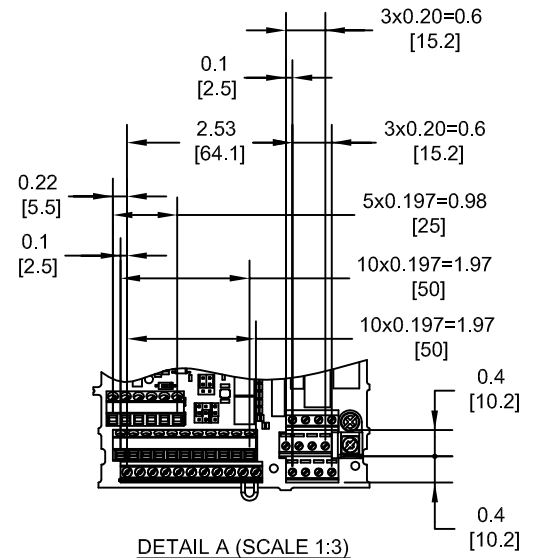
TERMINAL AND WIRING DETAILS (SCALE 1:8)



TERMINAL AND WIRE SPECIFICATIONS FOR MAIN CIRCUIT AND GROUND

MODEL # CIMR-PU	TERMINAL SYMBOL	TERMINAL SCREW	CLAMPING TORQUE lb.in.(N.m.)
4X0414	R/L1, S/L2, T/L3	M12	283.2 TO 354.0 (32 TO 40)
	U/T1, V/T2, W/T3		
	⊖, ⊕1		
	⊕3	M12	
	⊕	M12	

NOTE: REFER TO APPLICABLE CODES FOR PROPER WIRE TYPE AND SIZE

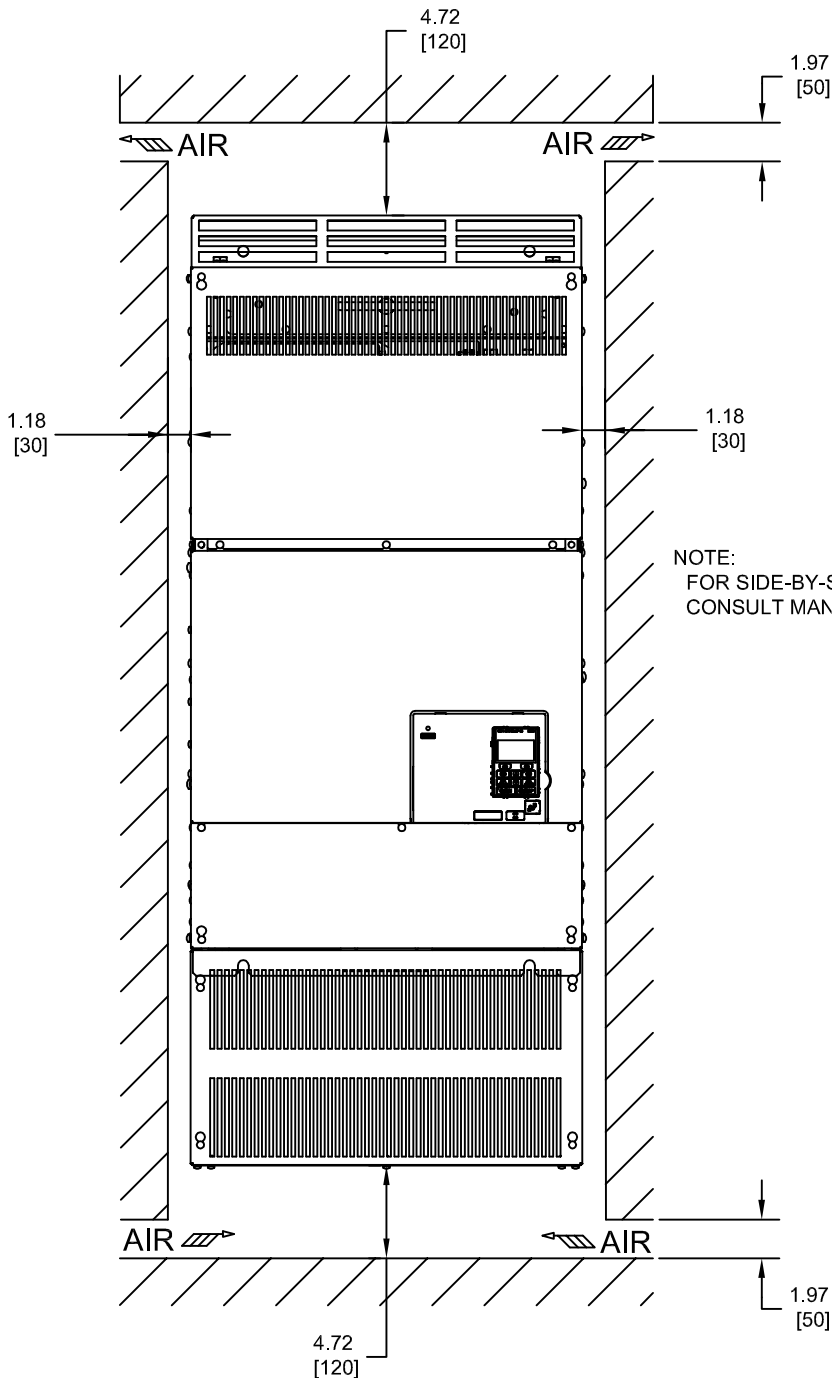


DETAIL A (SCALE 1:3)

FOR ADDITIONAL DETAILS AND SPECIFICATIONS, CONSULT MANUAL


TOLERANCES / REFERENCES:			DRAWN: J. MATTAS DATE 12-9-11	TITLE: P1000 DIMENSION DRAWING FRAME SIZE 13 NEMA TYPE 1 ENCLOSURE 4X0414		
UNITS: IN [mm]	SCALE: BY VIEW		CHECKED: J. PIOTROWSKI DATE 1-5-12	TECH: J. BORJA DATE 1-9-12	SIZE A	REVISION R00
THIS DOCUMENT AND INFORMATION CONTAINED IN IT ARE CONFIDENTIAL, AND CANNOT BE COPIED OR DISCLOSED IN WHOLE OR IN PART WITHOUT THE EXPRESS WRITTEN CONSENT OF YASKAWA AMERICA, INC.		APPROVED: J. CAIRO DATE 1-10-12	ORIGINAL DESIGN: -	DRAWING #: DD.P1K.FR13.N1		

MINIMUM INSTALLATION CLEARANCES (SCALE 1:10)



NOTE:  
FOR SIDE-BY-SIDE MOUNTING  
CONSULT MANUAL

FOR ADDITIONAL DETAILS AND SPECIFICATIONS, CONSULT MANUAL

TOLERANCES / REFERENCES:		 THIS DOCUMENT AND INFORMATION CONTAINED IN IT ARE CONFIDENTIAL, AND CANNOT BE COPIED OR DISCLOSED IN WHOLE OR IN PART WITHOUT THE EXPRESS WRITTEN CONSENT OF YASKAWA AMERICA, INC.	DRAWN: J. MATTAS	DATE: 12-9-11	TITLE: P1000 DIMENSION DRAWING FRAME SIZE 13 NEMA TYPE 1 ENCLOSURE 4X0414	
			CHECKED: J. PIOTROWSKI	DATE: 1-5-12		
			TECH: J. BORJA	DATE: 1-9-12		
			APPROVED: J. CAIRO	DATE: 1-10-12		
UNITS: IN [mm]	SCALE: BY VIEW	ORIGINAL DESIGN: -	DATE: -	SIZE: A	REVISION: R00	PAGE: 3 of 3
				DRAWING #: <b>DD.P1K.FR13.N1</b>		