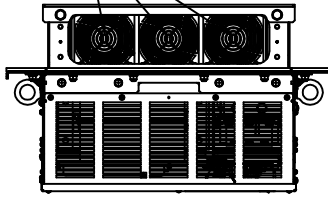
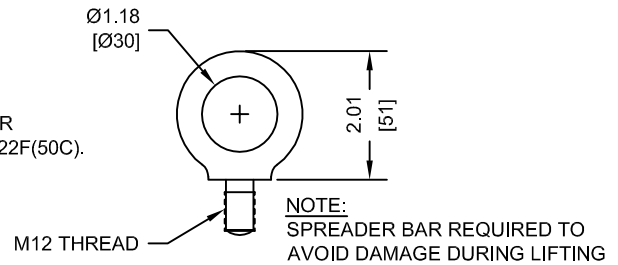


(3) EXTERNAL COOLING FANS

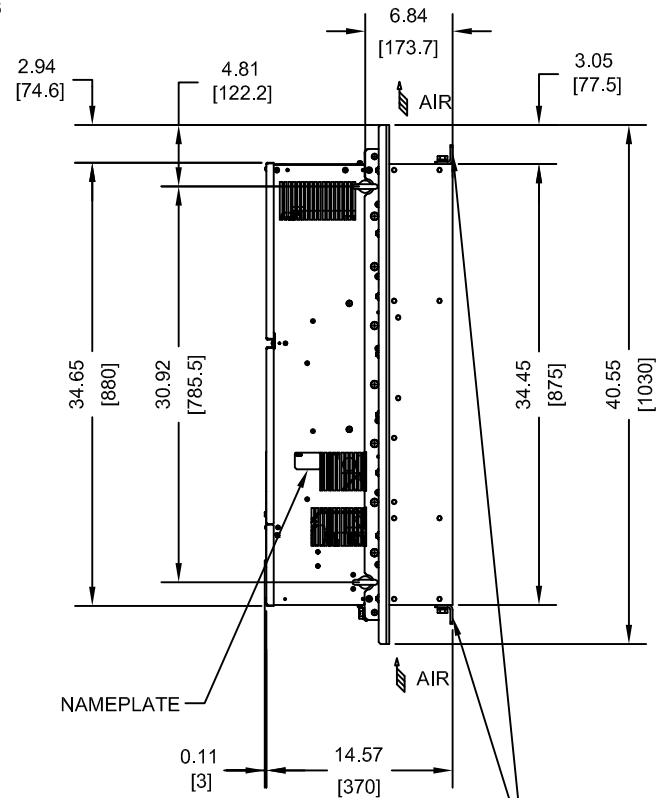
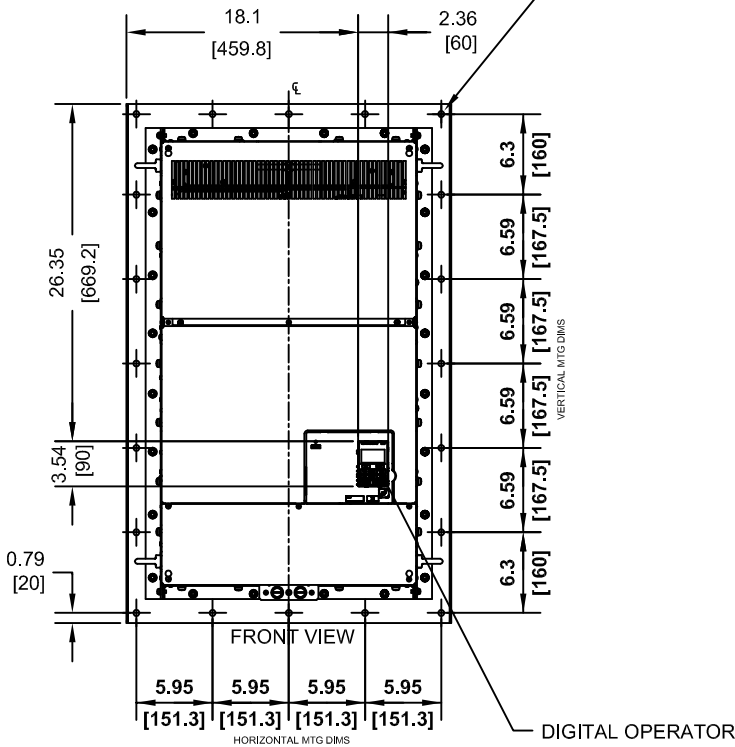


NOTE:
MAXIMUM SURROUNDING AIR
TEMPERATURE RATING IS 122F(50C).

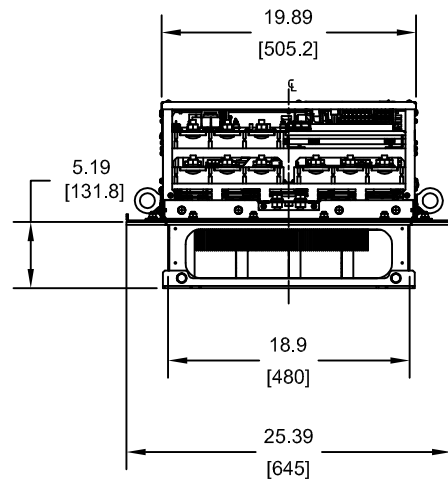
LIFTING AND EYEBOLT DETAILS



(20)-MOUNTING HOLES
FOR 3/8"[M10] SCREWS



(2)-MOUNTING BRACKETS
USED DURING TRANSPORT ONLY
REMOVE BEFORE INSTALLING



MODEL # CIMR-PU	INPUT TYPE	VOLTAGE 3-PHASE (VAC)	OUTPUT CURRENT (A)	WEIGHT LBS (Kg)	HEAT LOSS (W) (Fc=2kHz)		
					INT	EXT	TOT
4A0414UXX	6 PULSE	380/480	414	304 (138)	1295	3443	4738

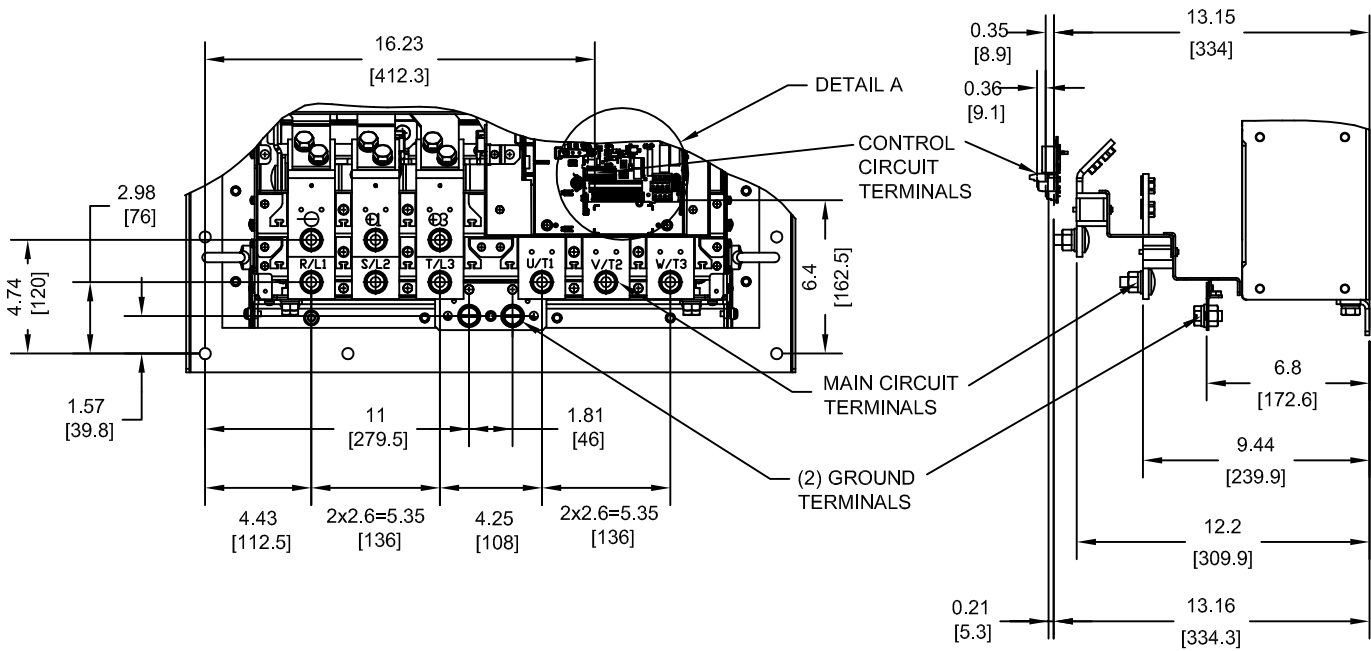
NOTES:
XX DENOTES AA-ZZ

INT=INTERNAL COMPONENTS
EXT=EXTERNAL HEATSINK
TOT=TOTAL

FOR ADDITIONAL DETAILS AND SPECIFICATIONS, CONSULT MANUAL

TOLERANCES / REFERENCES:		DRAWN: J. MATTAS	DATE 11-13-12	TITLE: P1000 DIMENSION DRAWING		
		CHECKED: J. PIOTROWSKI	DATE 1-18-13	FRAME SIZE 13A		
		TECH: J. BORJA	DATE 1-22-13	DESIGNED FOR IP54/TYPE 12 ENCLOSURES		
		APPROVED: J. CAIRO	DATE 5-29-13	4A0414U		
UNITS: IN [mm]	SCALE: 1:15	ORIGINAL DESIGN: -	DATE -	SIZE A	REVISION R00	PAGE 1 of 3
THIS DOCUMENT AND INFORMATION CONTAINED IN IT ARE CONFIDENTIAL, AND CANNOT BE COPIED OR DISCLOSED IN WHOLE OR IN PART WITHOUT THE EXPRESS WRITTEN CONSENT OF YASKAWA AMERICA, INC.				DRAWING #: DD.P1K.FR13A.FLNG		

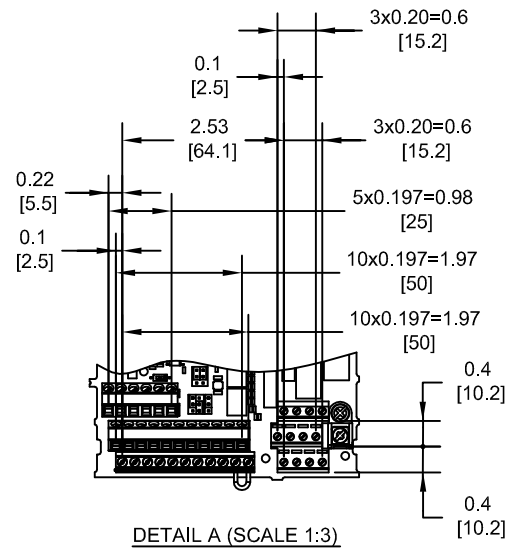
TERMINAL AND WIRING DETAILS (SCALE 1:8)



TERMINAL AND WIRE SPECIFICATIONS FOR MAIN CIRCUIT AND GROUND

MODEL # CIMR-PU	TERMINAL SYMBOL	TERMINAL SCREW	CLAMPING TORQUE lb.in.(N.m.)
4A0414U	R/L1, S/L2, T/L3	M12	283.2 TO 354.0 (32 TO 40)
	U/T1, V/T2, W/T3		
	⊖, ⊕1	M12	
	⊕3		
	⊕	M12	

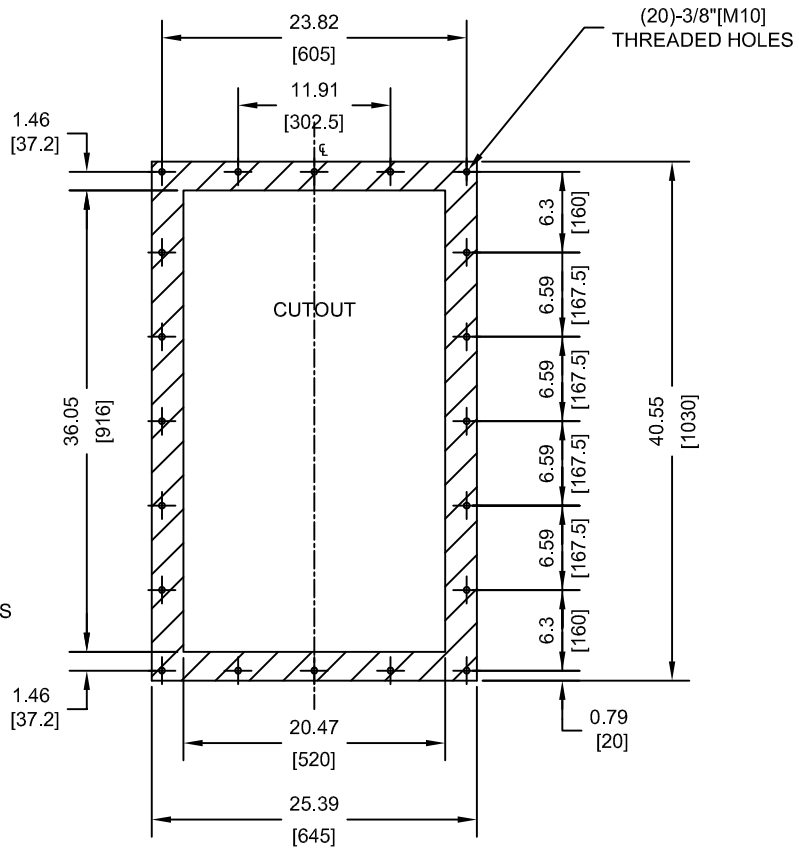
NOTE: REFER TO APPLICABLE CODES FOR PROPER WIRE TYPE AND SIZE



FOR ADDITIONAL DETAILS AND SPECIFICATIONS, CONSULT MANUAL

TOLERANCES / REFERENCES:			DRAWN: J. MATTAS CHECKED: J. PIOTROWSKI TECH: J. BORJA APPROVED: J. CAIRO ORIGINAL DESIGN: -	DATE: 11-13-12 DATE: 1-18-13 DATE: 1-22-13 DATE: 5-29-13 DATE: -	TITLE: P1000 DIMENSION DRAWING FRAME SIZE 13A DESIGNED FOR IP54/TYPE 12 ENCLOSURES 4A0414U
UNITS: IN[mm]	SCALE: BY VIEW		THIS DOCUMENT AND INFORMATION CONTAINED IN IT ARE CONFIDENTIAL, AND CANNOT BE COPIED OR DISCLOSED IN WHOLE OR IN PART WITHOUT THE EXPRESS WRITTEN CONSENT OF YASKAWA AMERICA, INC.	SIZE: A REVISION: R00 DRAWING #: DD.P1K.FR13A.FLNG	PAGE: 2 of 3


PANEL CUTOUT FOR EXTERNAL HEATSINK MOUNTING CONFIGURATION (SCALE 1:15)



NOTES:

- 1. CUTOUT TOLERANCES:
+/- 0.02IN (0.5MM)
- 2. EXPOSED HEATSINK DEPTH
D=5.19" MINUS PANEL THICKNESS
- 3. MIN. RECOMMENDED PANEL THICKNESS: 10 GA

FOR ADDITIONAL DETAILS AND SPECIFICATIONS, CONSULT MANUAL

TOLERANCES / REFERENCES:		 <p><i>THIS DOCUMENT AND INFORMATION CONTAINED IN IT ARE CONFIDENTIAL, AND CANNOT BE COPIED OR DISCLOSED IN WHOLE OR IN PART WITHOUT THE EXPRESS WRITTEN CONSENT OF YASKAWA AMERICA, INC.</i></p>	DRAWN: J. MATTAS DATE: 11-13-12	TITLE: P1000 DIMENSION DRAWING FRAME SIZE 13A DESIGNED FOR IP54/TYPE 12 ENCLOSURES 4A0414U
UNITS: IN [mm]	SCALE: BY VIEW		CHECKED: J. PIOTROWSKI DATE: 1-18-13	TECH: J. BORJA DATE: 1-22-13
		APPROVED: J. CAIRO DATE: 5-29-13	ORIGINAL DESIGN: - DATE: -	SIZE: A REVISION: R00 PAGE: 3 of 3
			DRAWING #: DD.P1K.FR13A.FLNG	