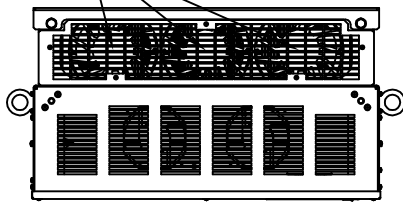
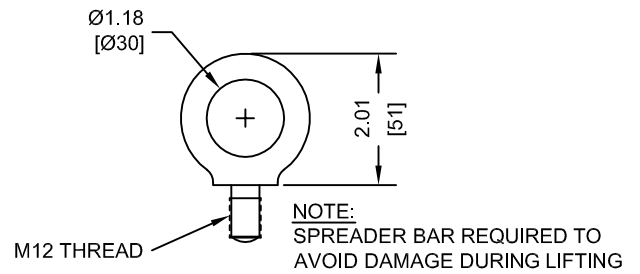


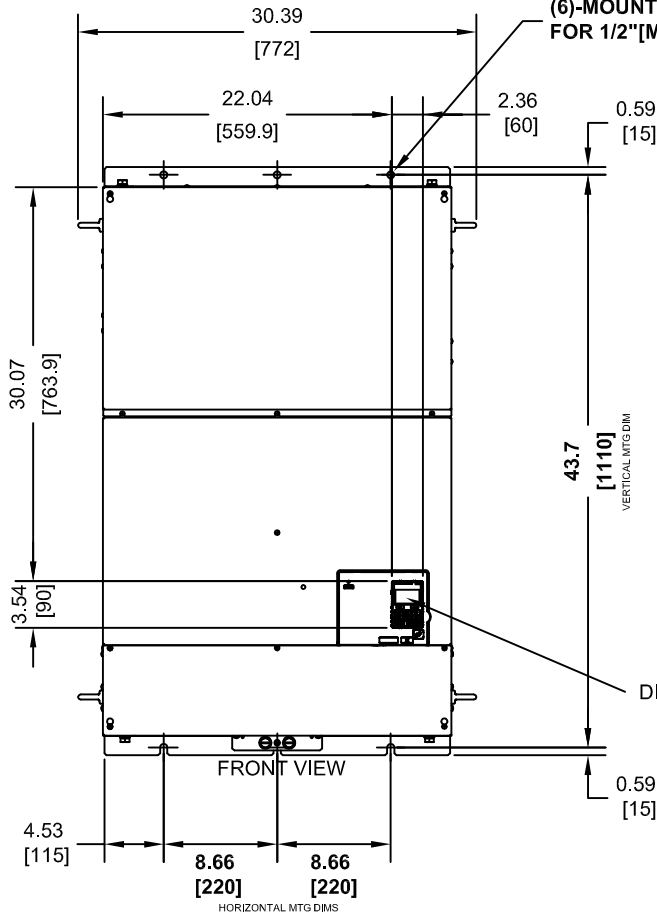
(3) EXTERNAL COOLING FANS



LIFTING AND EYEBOLT DETAILS

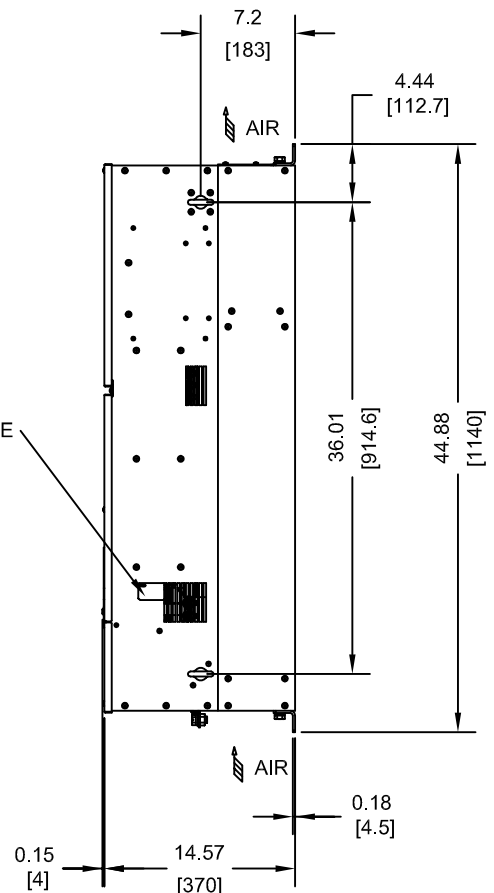


(6)-MOUNTING HOLES FOR 1/2" [M12] SCREWS



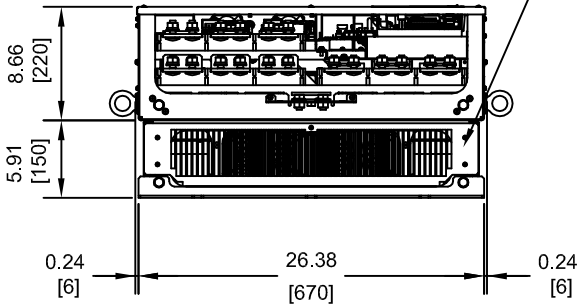
NAMEPLATE

DIGITAL OPERATOR



OPTIONAL CAPACITOR COVER

WHEN USING AN EXTERNAL MOUNT HEATSINK, UL COMPLIANCE REQUIRES COVERING EXPOSED CAPACITORS IN THE MAIN CIRCUIT TO PREVENT INJURY. CONSULT MANUAL FOR DETAILS.



MODEL # CIMR-PU	INPUT TYPE	VOLTAGE 3-PHASE (VAC)	OUTPUT CURRENT (A)	WEIGHT LBS (Kg)	HEAT LOSS (W) (Fc=2kHz)		
					INT	EXT	TOT
4A0515AXX	6 PULSE	380/480	515	475 (216)	1668	4850	6518
4A0675AXX	6 PULSE		675	486 (221)	2037	4861	6898

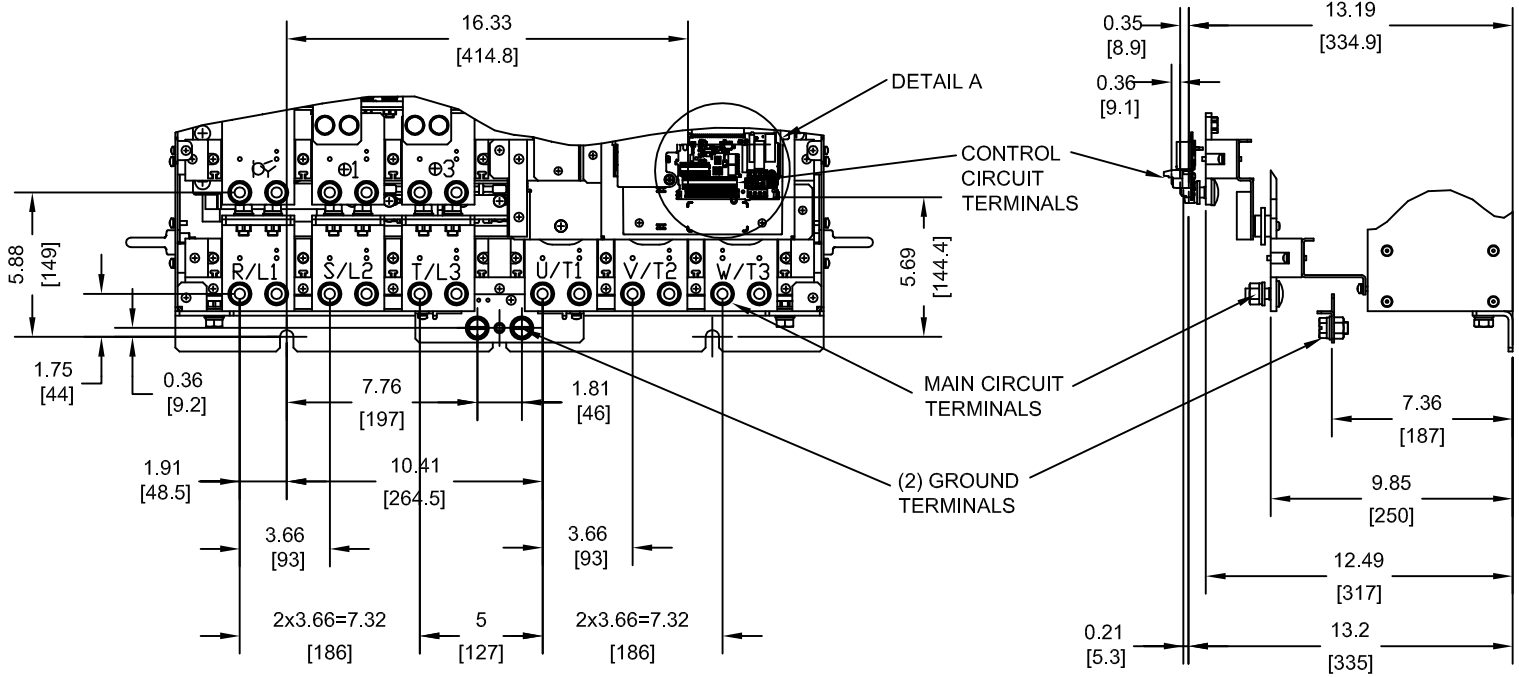
NOTES:  
XX DENOTES AA-ZZ

INT=INTERNAL COMPONENTS  
EXT=EXTERNAL HEATSINK  
TOT=TOTAL

FOR ADDITIONAL DETAILS AND SPECIFICATIONS, CONSULT MANUAL

TOLERANCES / REFERENCES:		<p>THIS DOCUMENT AND INFORMATION CONTAINED IN IT ARE CONFIDENTIAL, AND CANNOT BE COPIED OR DISCLOSED IN WHOLE OR IN PART WITHOUT THE EXPRESS WRITTEN CONSENT OF YASKAWA AMERICA, INC.</p>	DRAWN: J. MATTAS	DATE 12-9-11	TITLE: P1000 DIMENSION DRAWING FRAME SIZE 14A IP00 ENCLOSURE 4A0515A AND 4A0675A	
UNITS: IN [mm]			SCALE: 1:15	CHECKED: J. PIOTROWSKI		DATE 1-5-12
				TECH: J. BORJA		DATE 1-9-12
				APPROVED: J. CAIRO		DATE 1-10-12
			ORIGINAL DESIGN:	DATE	SIZE: A      REVISION: R01      PAGE: 1 of 3 DRAWING #: <b>DD.P1K.FR14A.IP00</b>	

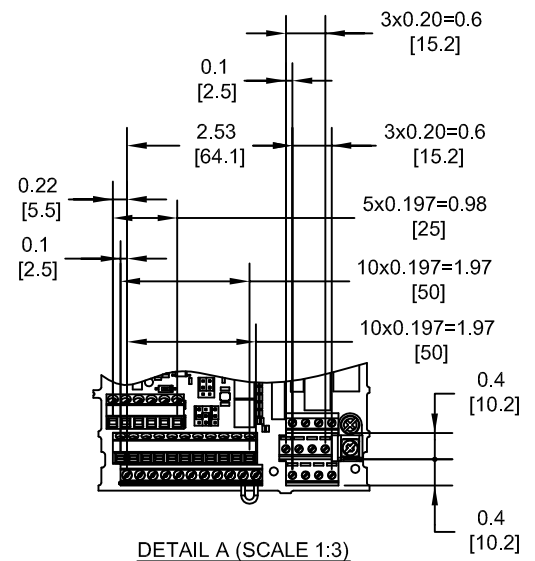
TERMINAL AND WIRING DETAILS (SCALE 1:8)



TERMINAL AND WIRE SPECIFICATIONS FOR MAIN CIRCUIT AND GROUND

MODEL # CIMR-PU	TERMINAL SYMBOL	TERMINAL SCREW	CLAMPING TORQUE lb.in.(N.m.)
4A0515A 4A0675A	R/L1, S/L2, T/L3	M12	283.2 TO 354.0 (32 TO 40)
	U/T1, V/T2, W/T3		
	⊖, ⊕1		
	⊕3	M12	
	⊕	M12	

NOTE: REFER TO APPLICABLE CODES FOR PROPER WIRE TYPE AND SIZE

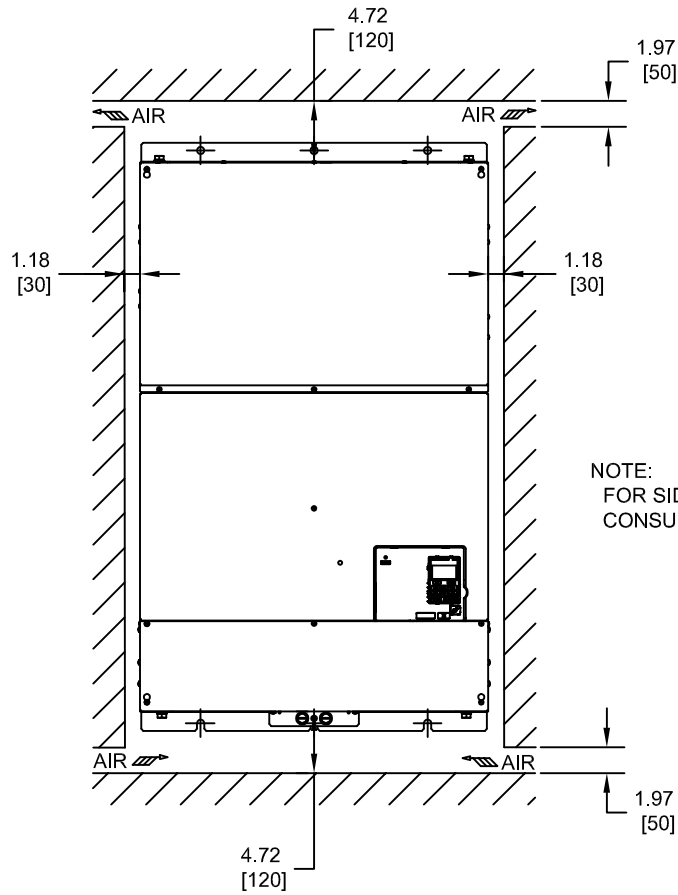


DETAIL A (SCALE 1:3)

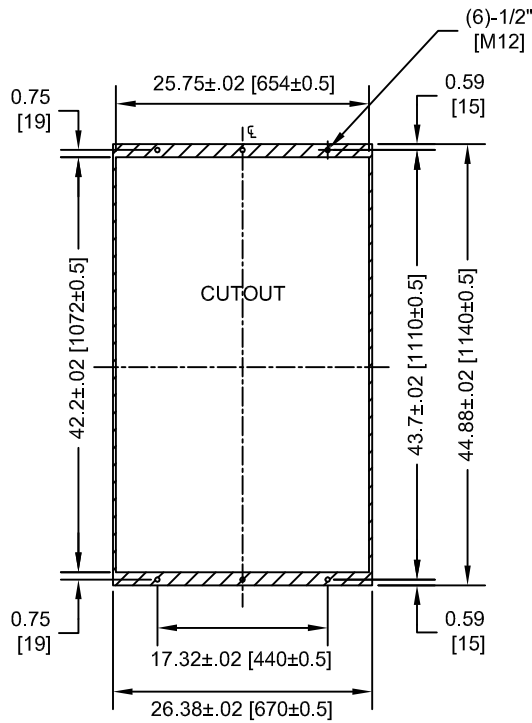
FOR ADDITIONAL DETAILS AND SPECIFICATIONS, CONSULT MANUAL

TOLERANCES / REFERENCES:			DRAWN: J. MATTAS DATE 12-9-11	TITLE: P1000 DIMENSION DRAWING FRAME SIZE 14A IP00 ENCLOSURE 4A0515A AND 4A0675A	
UNITS: IN [mm]			CHECKED: J. PIOTROWSKI DATE 1-5-12	SIZE A	REVISION R01
SCALE: BY VIEW		THIS DOCUMENT AND INFORMATION CONTAINED IN IT ARE CONFIDENTIAL, AND CANNOT BE COPIED OR DISCLOSED IN WHOLE OR IN PART WITHOUT THE EXPRESS WRITTEN CONSENT OF YASKAWA AMERICA, INC.	TECH: J. BORJA DATE 1-9-12	DATE 1-10-12	DRAWING #: DD.P1K.FR14A.IP00
		ORIGINAL DESIGN: -	DATE -		

MINIMUM INSTALLATION CLEARANCES (SCALE 1:15)



PANEL CUTOUT FOR EXTERNAL HEATSINK MOUNTING CONFIGURATION (SCALE 1:20)



FOR ADDITIONAL DETAILS AND SPECIFICATIONS, CONSULT MANUAL

TOLERANCES / REFERENCES:		<p>THIS DOCUMENT AND INFORMATION CONTAINED IN IT ARE CONFIDENTIAL, AND CANNOT BE COPIED OR DISCLOSED IN WHOLE OR IN PART WITHOUT THE EXPRESS WRITTEN CONSENT OF YASKAWA AMERICA, INC.</p>	DRAWN: J. MATTAS CHECKED: J. PIOTROWSKI TECH: J. BORJA APPROVED: J. CAIRO ORIGINAL DESIGN: -	DATE 12-9-11 DATE 1-5-12 DATE 1-9-12 DATE 1-10-12 DATE -	TITLE: P1000 DIMENSION DRAWING FRAME SIZE 14A IP00 ENCLOSURE 4A0515A AND 4A0675A
UNITS: IN [mm]	SCALE: BY VIEW		SIZE A	REVISION R01	PAGE 3 of 3
			DRAWING #: <b>DD.P1K.FR14A.IP00</b>		