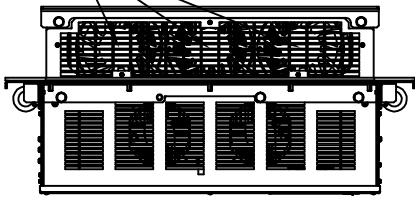
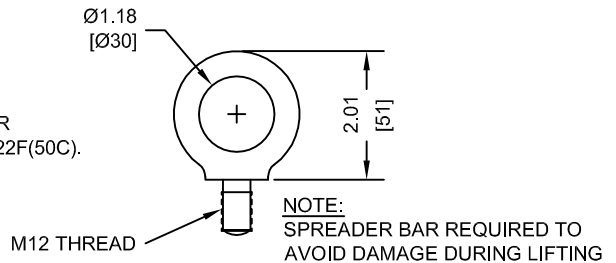


(3) EXTERNAL COOLING FANS

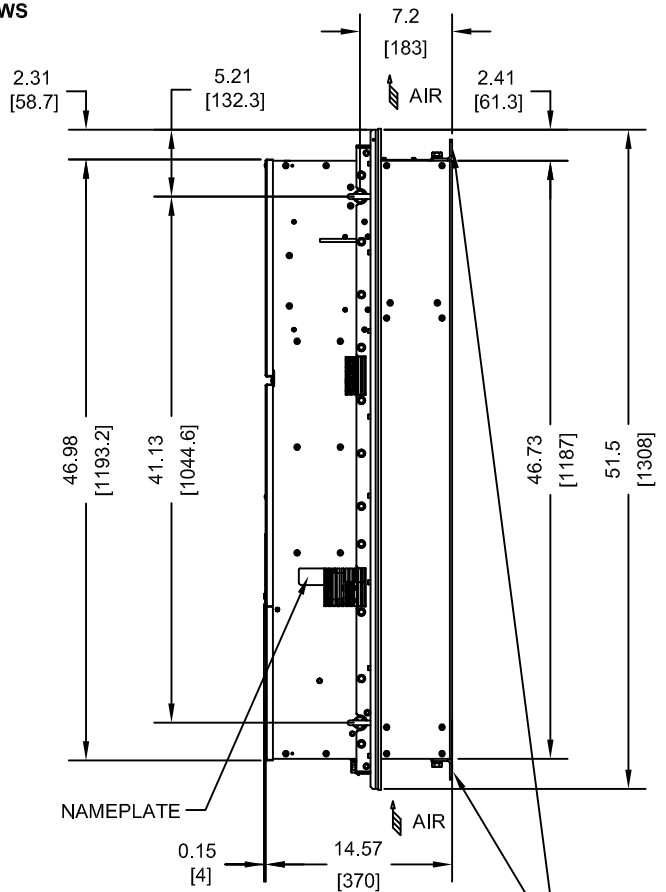
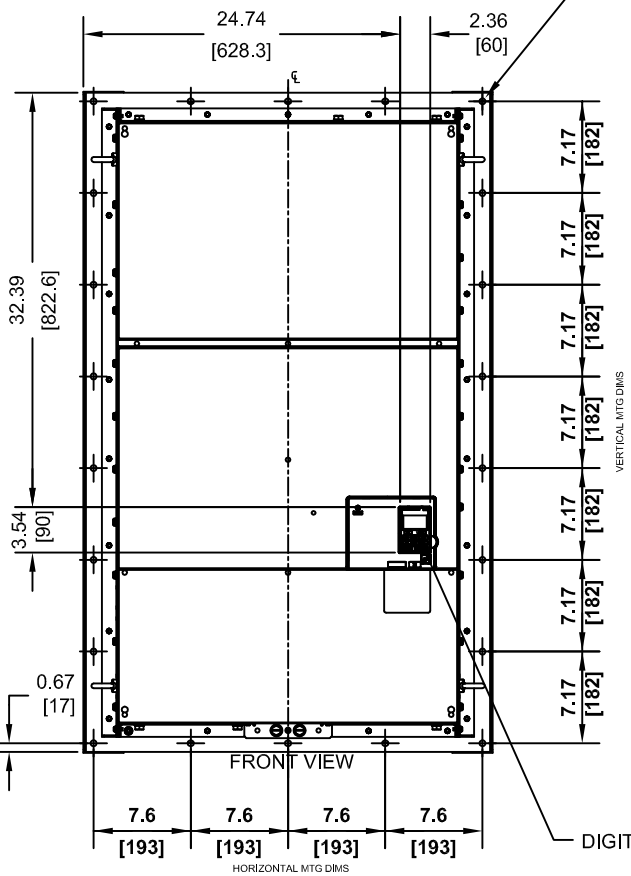


NOTE:
MAXIMUM SURROUNDING AIR
TEMPERATURE RATING IS 122F(50C).

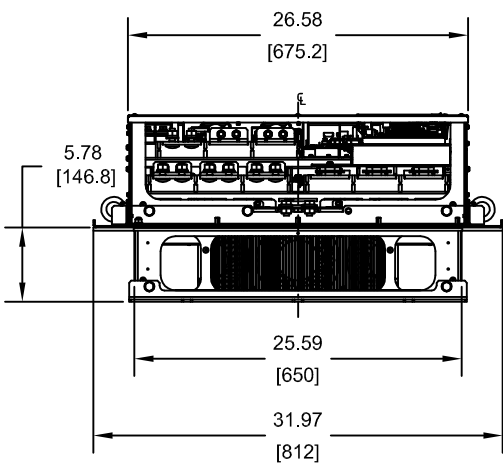
LIFTING AND EYEBOLT DETAILS



(22)-MOUNTING HOLES
FOR 3/8" [M10] SCREWS



(2)-MOUNTING BRACKETS
USED DURING TRANSPORT ONLY
REMOVE BEFORE INSTALLING



MODEL # CIMR-PU	INPUT TYPE	VOLTAGE 3-PHASE (VAC)	OUTPUT CURRENT (A)	WEIGHT LBS (Kg)	HEAT LOSS (W) (Fc=2kHz)		
					INT	EXT	TOT
4T0515UXX	12 PULSE	380/480	515	463 (210)	1474	4850	6324
4T0675UXX	12 PULSE		675	474 (215)	1789	4861	6640

NOTES:
XX DENOTES AA-ZZ

INT=INTERNAL COMPONENTS
EXT=EXTERNAL HEATSINK
TOT=TOTAL

FOR ADDITIONAL DETAILS AND SPECIFICATIONS, CONSULT MANUAL

TOLERANCES / REFERENCES:



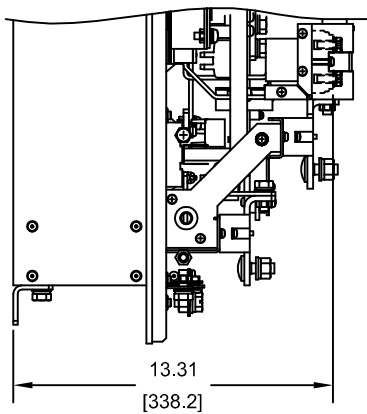
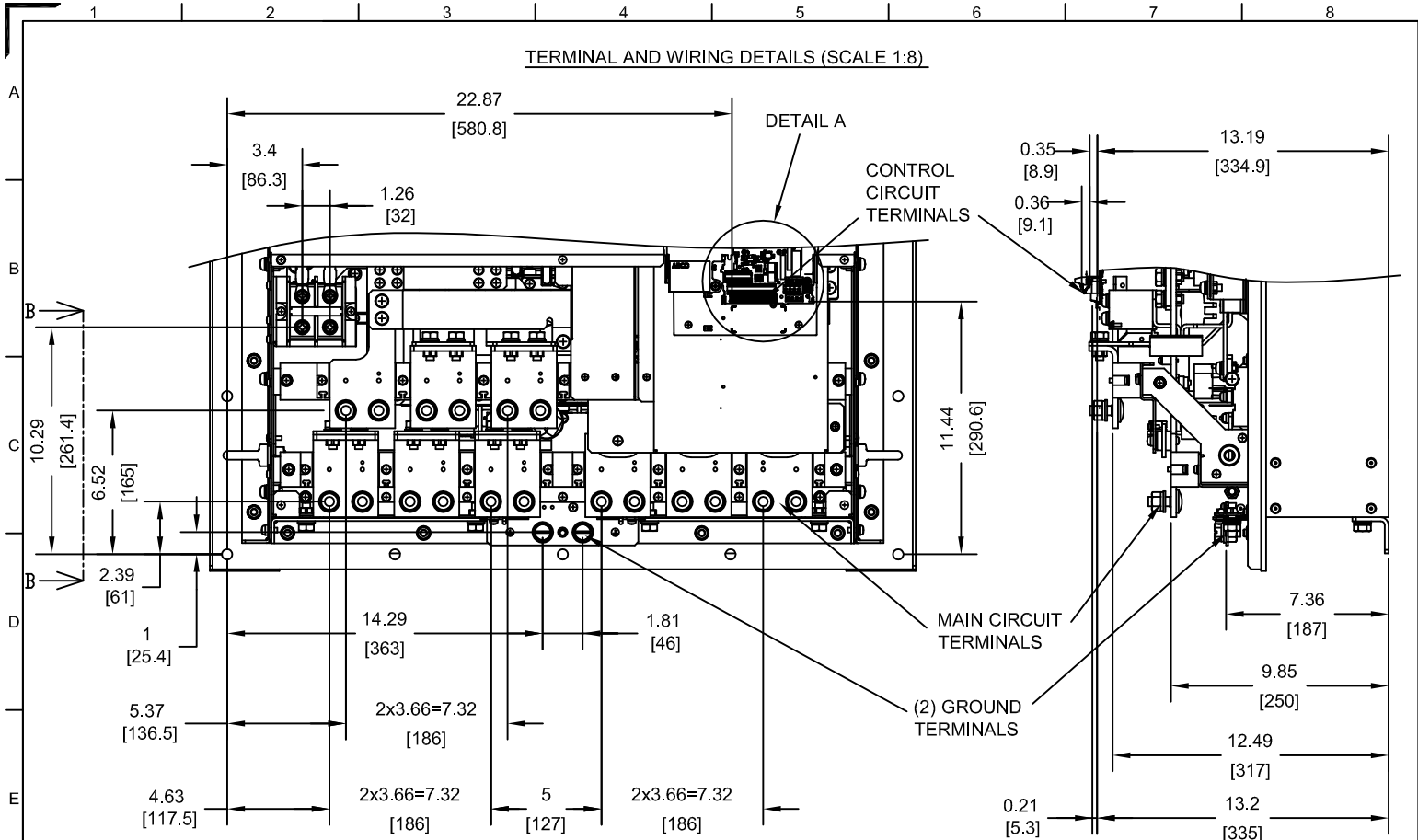
THIS DOCUMENT AND INFORMATION CONTAINED
IN IT ARE CONFIDENTIAL, AND CANNOT BE
COPIED OR DISCLOSED IN WHOLE OR IN PART
WITHOUT THE EXPRESS WRITTEN CONSENT
OF YASKAWA AMERICA, INC.

DRAWN: J. MATTAS	DATE 11-13-12	TITLE: P1000 DIMENSION DRAWING
CHECKED: J. PIOTROWSKI	DATE 1-18-13	FRAME SIZE 14B
TECH: J. BORJA	DATE 1-22-13	DESIGNED FOR IP54/TYPE 12 ENCLOSURES
APPROVED: J. CAIRO	DATE 5-29-13	4T0515U & 4T0675U
ORIGINAL DESIGN: -	DATE -	SIZE A
		REVISION R00
		PAGE 1 of 3
		DRAWING #: DD.P1K.FR14B.FLNG

UNITS:
IN [mm]

SCALE:
1:15

TERMINAL AND WIRING DETAILS (SCALE 1:8)

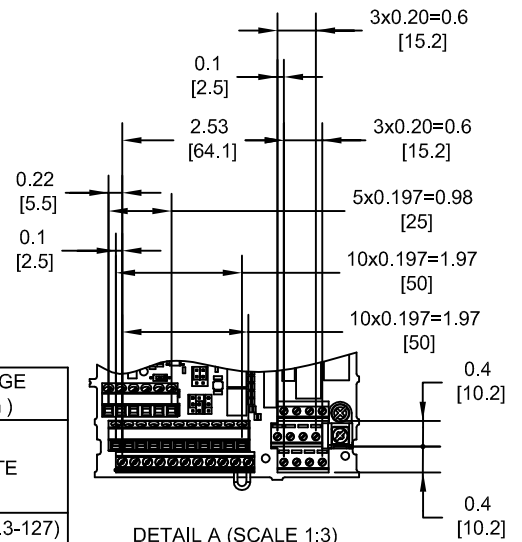


SECTION B-B

TERMINAL AND WIRE SPECIFICATIONS FOR MAIN CIRCUIT AND GROUND

MODEL # CIMR-PU	TERMINAL SYMBOL	TERMINAL SCREW	CLAMPING TORQUE lb.in.(N.m.)	WIRE RANGE AWG(mm)
4T0515U 4T0675U	R/L1, S/L2, T/L3	M12	283.2 TO 354.0 (32 TO 40)	SEE NOTE
	R1/L11, S1/L21, T1/L31			
	U/T1, V/T2, W/T3	M8	119.5 TO 132.8 (13.5 TO 15)	6-250kcmil (13.3-127)
	⊖, ⊕3			
	Ⓢ	M12	283.2 TO 354.0 (32 TO 40)	SEE NOTE

NOTE: REFER TO APPLICABLE CODES FOR PROPER WIRE TYPE AND SIZE



DETAIL A (SCALE 1:3)

FOR ADDITIONAL DETAILS AND SPECIFICATIONS, CONSULT MANUAL

TOLERANCES / REFERENCES:

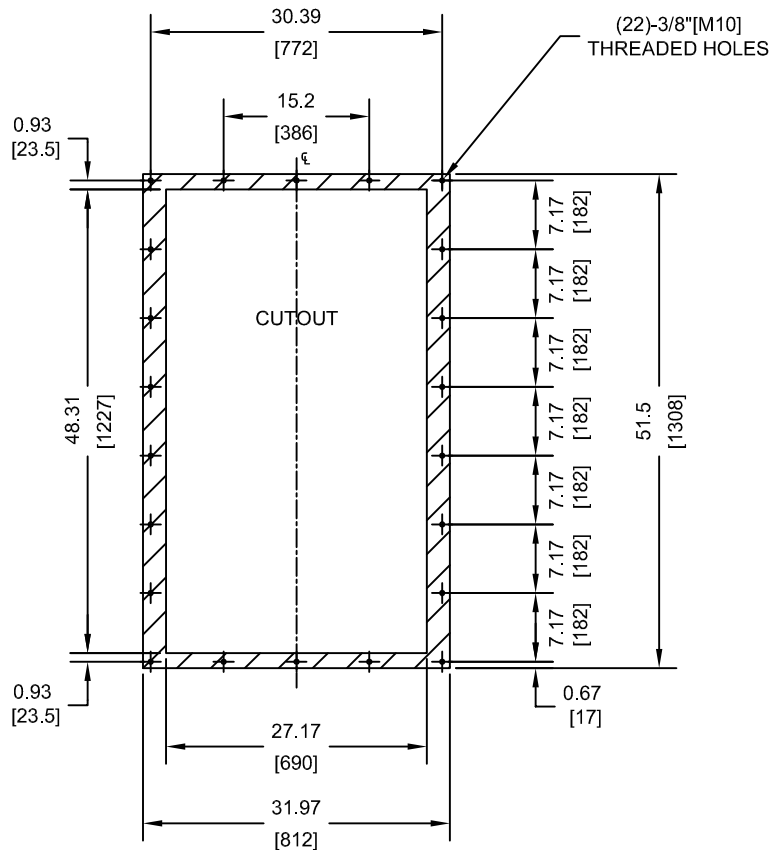


THIS DOCUMENT AND INFORMATION CONTAINED IN IT ARE CONFIDENTIAL, AND CANNOT BE COPIED OR DISCLOSED IN WHOLE OR IN PART WITHOUT THE EXPRESS WRITTEN CONSENT OF YASKAWA AMERICA, INC.

DRAWN: J. MATTAS	DATE 11-13-12	TITLE: P1000 DIMENSION DRAWING	
CHECKED: J. PIOTROWSKI	DATE 1-18-13	FRAME SIZE 14B	
TECH: J. BORJA	DATE 1-22-13	DESIGNED FOR IP54/TYPE 12 ENCLOSURES	
APPROVED: J. CAIRO	DATE 5-29-13	4T0515U & 4T0675U	
ORIGINAL DESIGN: -	DATE -	SIZE A	REVISION R00
		PAGE 2 of 3	
DRAWING #: DD.P1K.FR14B.FLNG			

UNITS: IN[mm] SCALE: BY VIEW


PANEL CUTOUT FOR EXTERNAL HEATSINK MOUNTING CONFIGURATION (SCALE 1:20)



NOTES:

1. CUTOUT TOLERANCES:
+/- 0.02IN (0.5MM)
2. EXPOSED HEATSINK DEPTH
D=5.78" MINUS PANEL THICKNESS
3. MIN. RECOMMENDED PANEL
THICKNESS: 10 GA

FOR ADDITIONAL DETAILS AND SPECIFICATIONS, CONSULT MANUAL

TOLERANCES / REFERENCES:		 <p>YASKAWA</p> <p><i>THIS DOCUMENT AND INFORMATION CONTAINED IN IT ARE CONFIDENTIAL, AND CANNOT BE COPIED OR DISCLOSED IN WHOLE OR IN PART WITHOUT THE EXPRESS WRITTEN CONSENT OF YASKAWA AMERICA, INC.</i></p>	DRAWN: J. MATTAS 11-13-12	DATE: 11-13-12	TITLE: P1000 DIMENSION DRAWING FRAME SIZE 14B DESIGNED FOR IP54/TYPE 12 ENCLOSURES 4T0515U & 4T0675U			
UNITS: IN [mm]	SCALE: BY VIEW		CHECKED: J. PIOTROWSKI 1-18-13	DATE: 1-18-13	TECH: J. BORJA 1-22-13	DATE: 1-22-13	SIZE: A	REVISION: R00
		APPROVED: J. CAIRO 5-29-13	DATE: 5-29-13	ORIGINAL DESIGN: -	DATE: -	DRAWING #: DD.P1K.FR14B.FLNG		