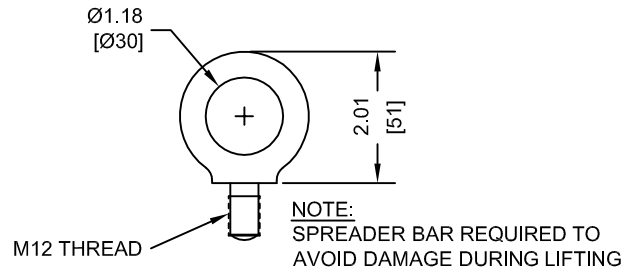


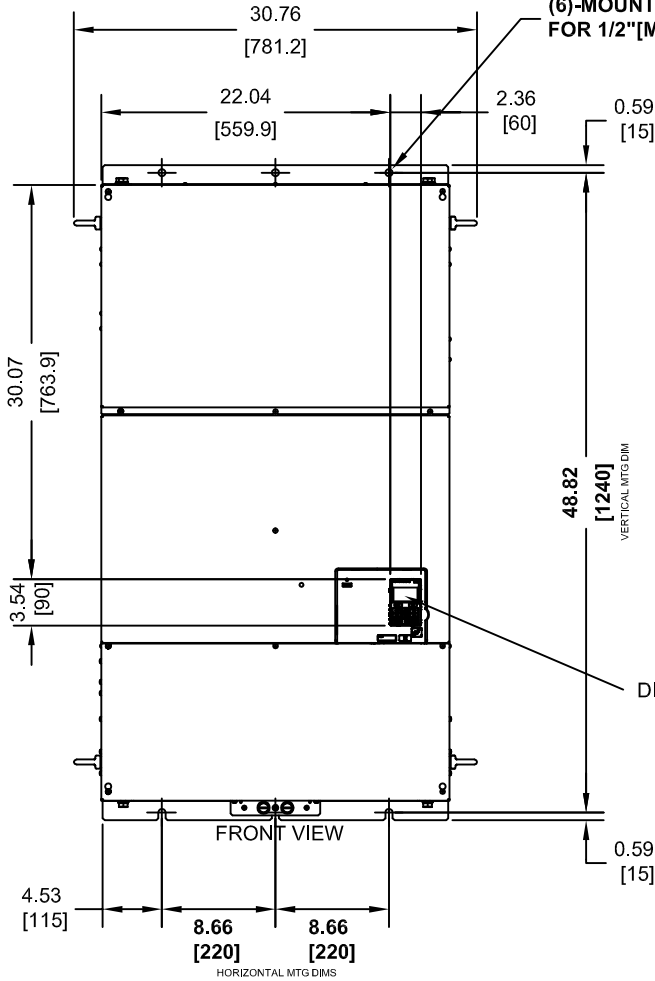
(3) EXTERNAL COOLING FANS



LIFTING AND EYEBOLT DETAILS

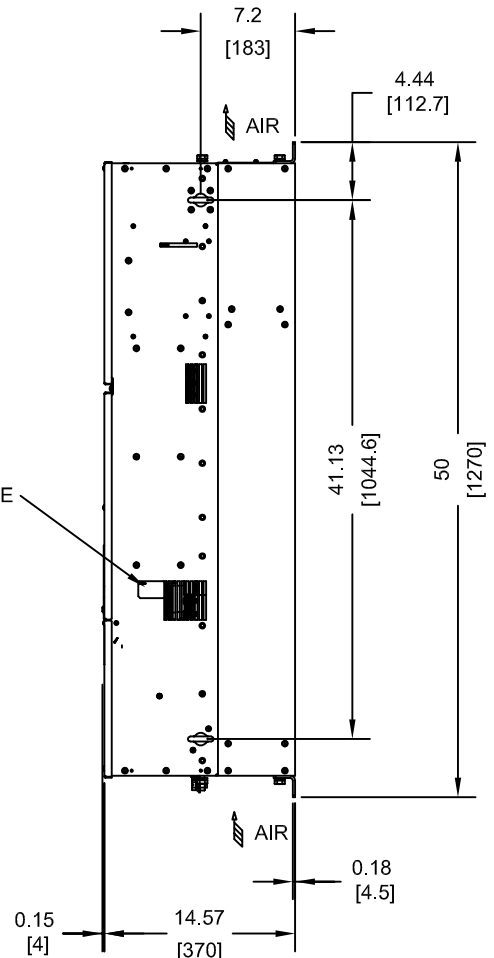


(6)-MOUNTING HOLES FOR 1/2" [M12] SCREWS

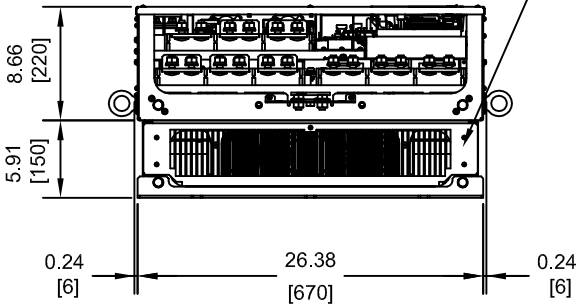


NAMEPLATE

DIGITAL OPERATOR



OPTIONAL CAPACITOR COVER  
WHEN USING AN EXTERNAL MOUNT HEATSINK, UL COMPLIANCE REQUIRES COVERING EXPOSED CAPACITORS IN THE MAIN CIRCUIT TO PREVENT INJURY. CONSULT MANUAL FOR DETAILS.



MODEL # CIMR-PU	INPUT TYPE	VOLTAGE 3-PHASE (VAC)	OUTPUT CURRENT (A)	WEIGHT LBS (Kg)	HEAT LOSS (W) (Fc=2kHz)		
					INT	EXT	TOT
4T0515AXX	12 PULSE	380/480	515	449 (204)	1474	4850	6324
4T0675AXX	12 PULSE		675	460 (209)	1789	4861	6650

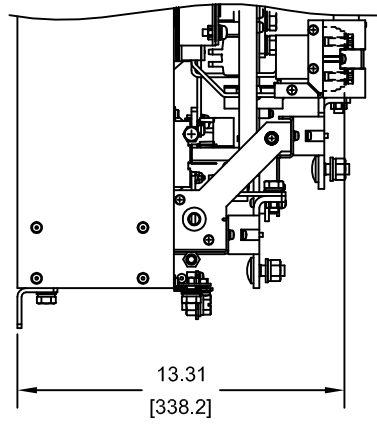
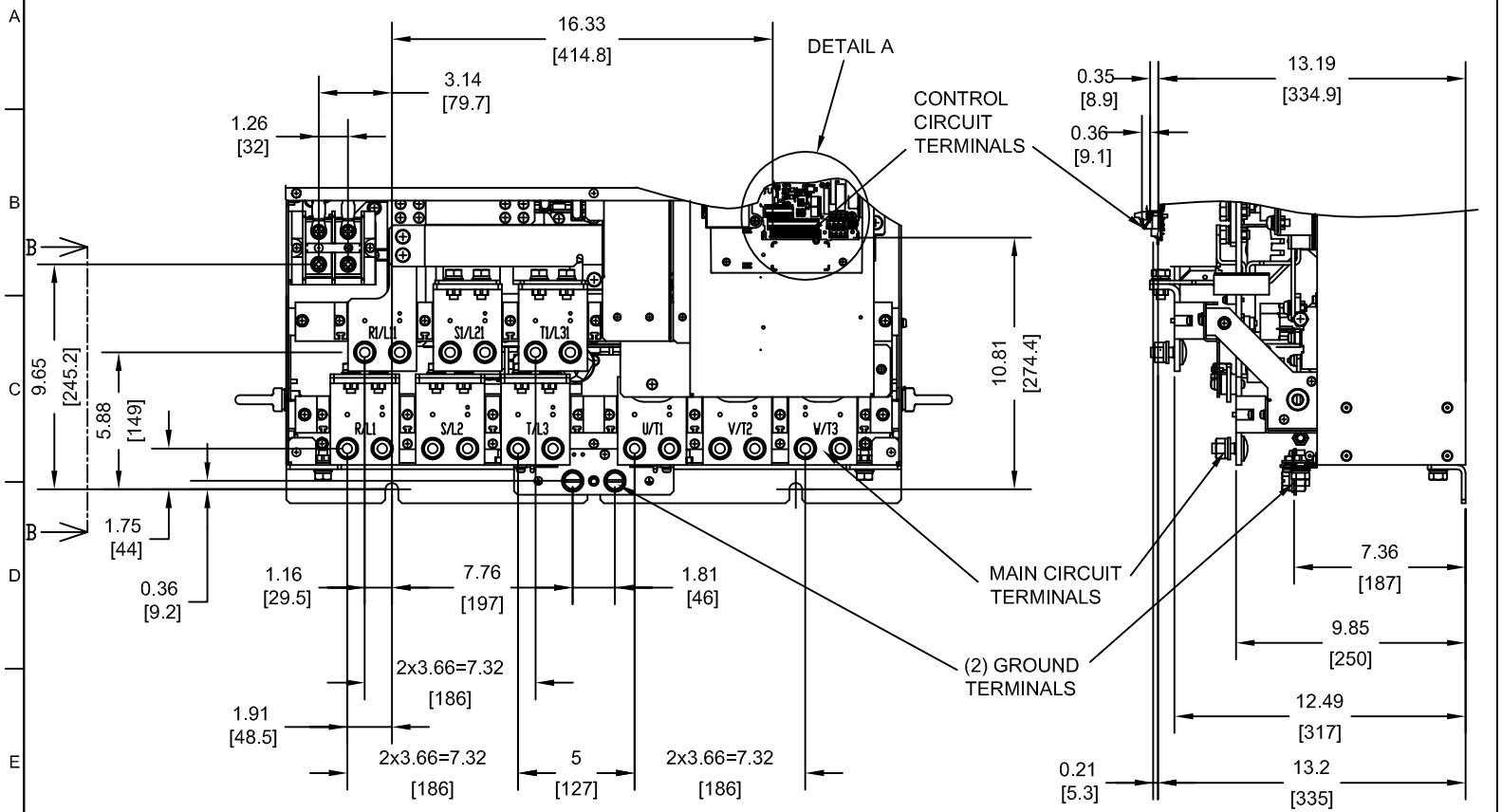
NOTES:  
XX DENOTES AA-ZZ

INT=INTERNAL COMPONENTS  
EXT=EXTERNAL HEATSINK  
TOT=TOTAL

FOR ADDITIONAL DETAILS AND SPECIFICATIONS, CONSULT MANUAL

TOLERANCES / REFERENCES:		<p>THIS DOCUMENT AND INFORMATION CONTAINED IN IT ARE CONFIDENTIAL, AND CANNOT BE COPIED OR DISCLOSED IN WHOLE OR IN PART WITHOUT THE EXPRESS WRITTEN CONSENT OF YASKAWA AMERICA, INC.</p>	DRAWN: J. MATTAS	DATE 7-1-14	TITLE: P1000 DIMENSION DRAWING FRAME SIZE 14B IP00 ENCLOSURE 4T0515A AND 4T0675A			
UNITS: IN [mm]			SCALE: 1:15	CHECKED: J. PIOTROWSKI	DATE 7-2-14	SIZE A	REVISION R01	PAGE 1 of 3
				TECH: J. BORJA	DATE 7-7-14	DRAWING #: DD.P1K.FR14B.IP00		
				APPROVED: J. CAIRO	DATE 8-12-14			
			ORIGINAL DESIGN:	DATE				

TERMINAL AND WIRING DETAILS (SCALE 1:8)

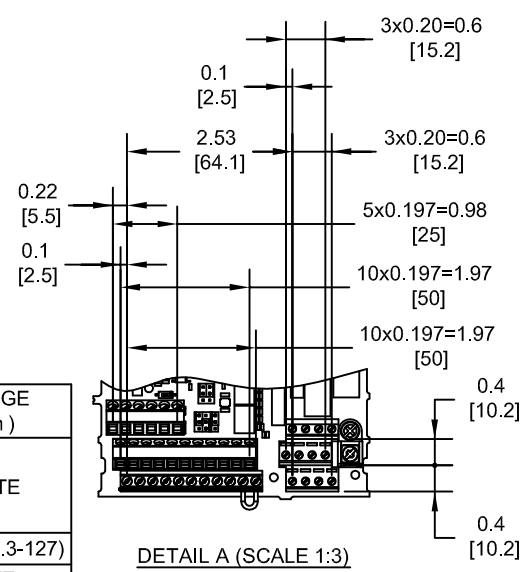


SECTION B-B

TERMINAL AND WIRE SPECIFICATIONS FOR MAIN CIRCUIT AND GROUND

MODEL # CIMR-PU	TERMINAL SYMBOL	TERMINAL SCREW	CLAMPING TORQUE lb.in.(N.m.)	WIRE RANGE AWG(mm)
4T0515A 4T0675A	R/L1, S/L2, T/L3	M12	283.2 TO 354.0 (32 TO 40)	SEE NOTE
	R1/L11, S1/L21, T1/L31			
	U/T1, V/T2, W/T3			
	⊖, ⊕3	M8	119.5 TO 132.8 (13.5 TO 15)	6-250kcmil (13.3-127)
	⊕	M12	283.2 TO 354.0 (32 TO 40)	SEE NOTE

NOTE: REFER TO APPLICABLE CODES FOR PROPER WIRE TYPE AND SIZE

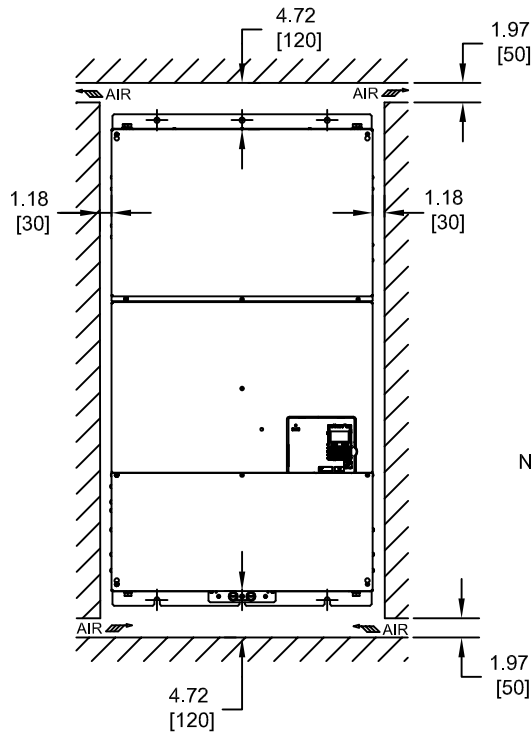


DETAIL A (SCALE 1:3)

FOR ADDITIONAL DETAILS AND SPECIFICATIONS, CONSULT MANUAL

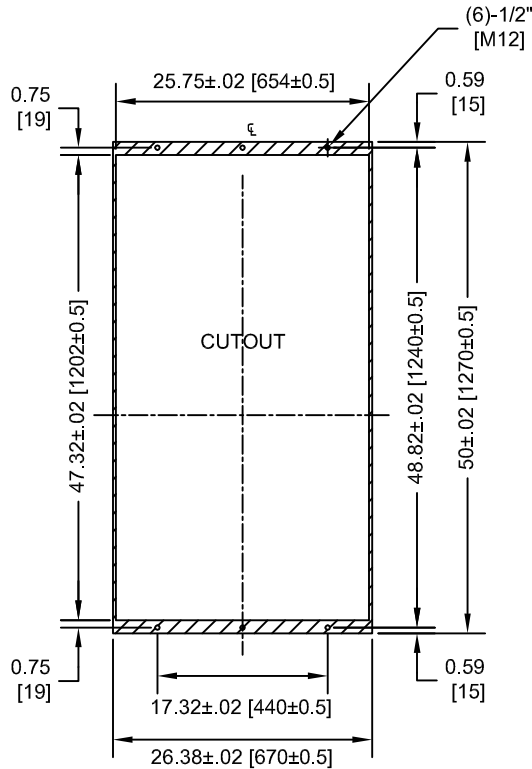
TOLERANCES / REFERENCES:			DRAWN: J. MATTAS CHECKED: J. PIOTROWSKI TECH: J. BORJA APPROVED: J. CAIRO ORIGINAL DESIGN: -	DATE 7-1-14 DATE 7-2-14 DATE 7-7-14 DATE 8-12-14 DATE -	TITLE: P1000 DIMENSION DRAWING FRAME SIZE 14B IP00 ENCLOSURE 4T0515A AND 4T0675A
UNITS: IN [mm]	SCALE: BY VIEW		THIS DOCUMENT AND INFORMATION CONTAINED IN IT ARE CONFIDENTIAL, AND CANNOT BE COPIED OR DISCLOSED IN WHOLE OR IN PART WITHOUT THE EXPRESS WRITTEN CONSENT OF YASKAWA AMERICA, INC.	SIZE A REVISION R01 DRAWING #: DD.P1K.FR14B.IP00	PAGE 2 of 3

MINIMUM INSTALLATION CLEARANCES (SCALE 1:20)



NOTE:  
FOR SIDE-BY-SIDE MOUNTING  
CONSULT MANUAL

PANEL CUTOUT FOR EXTERNAL HEATSINK  
MOUNTING CONFIGURATION (SCALE 1:20)



NOTE:  
EXPOSED HEATSINK DEPTH  
D=5.91" MINUS PANEL THICKNESS

FOR ADDITIONAL DETAILS AND SPECIFICATIONS, CONSULT MANUAL

TOLERANCES / REFERENCES:			DRAWN: J. MATTAS DATE: 7-1-14	DATE: 7-1-14	TITLE: P1000 DIMENSION DRAWING FRAME SIZE 14B IP00 ENCLOSURE 4T0515A AND 4T0675A		
UNITS: IN [mm]			CHECKED: J. PIOTROWSKI DATE: 7-2-14	DATE: 7-2-14	SIZE: A	REVISION: R01	PAGE: 3 of 3
SCALE: BY VIEW		THIS DOCUMENT AND INFORMATION CONTAINED IN IT ARE CONFIDENTIAL, AND CANNOT BE COPIED OR DISCLOSED IN WHOLE OR IN PART WITHOUT THE EXPRESS WRITTEN CONSENT OF YASKAWA AMERICA, INC.	TECH: J. BORJA DATE: 7-7-14	DATE: 7-7-14	DRAWING #:		
		APPROVED: J. CAIRO DATE: 8-12-14	ORIGINAL DESIGN: -	DATE: -	<b>DD.P1K.FR14B.IP00</b>		