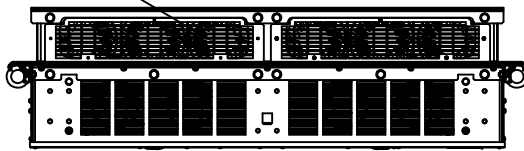
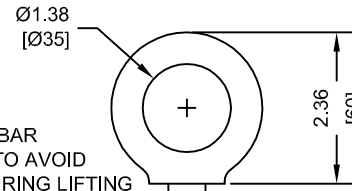


(6) EXTERNAL COOLING FANS

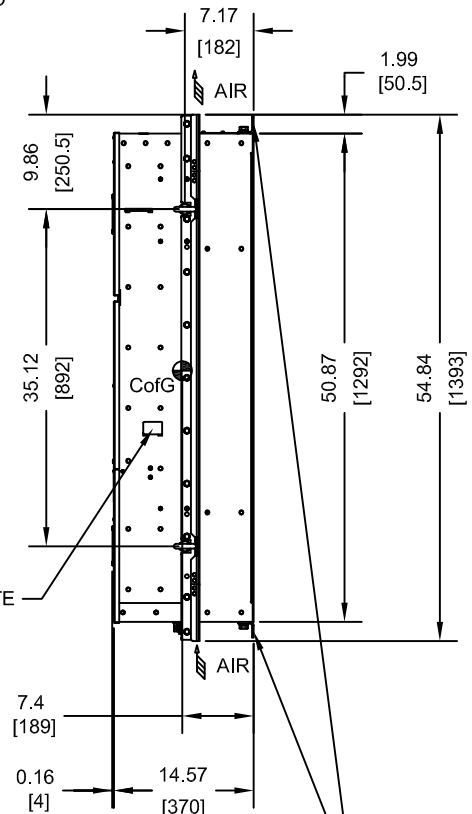
LIFTING AND EYEBOLT DETAILS



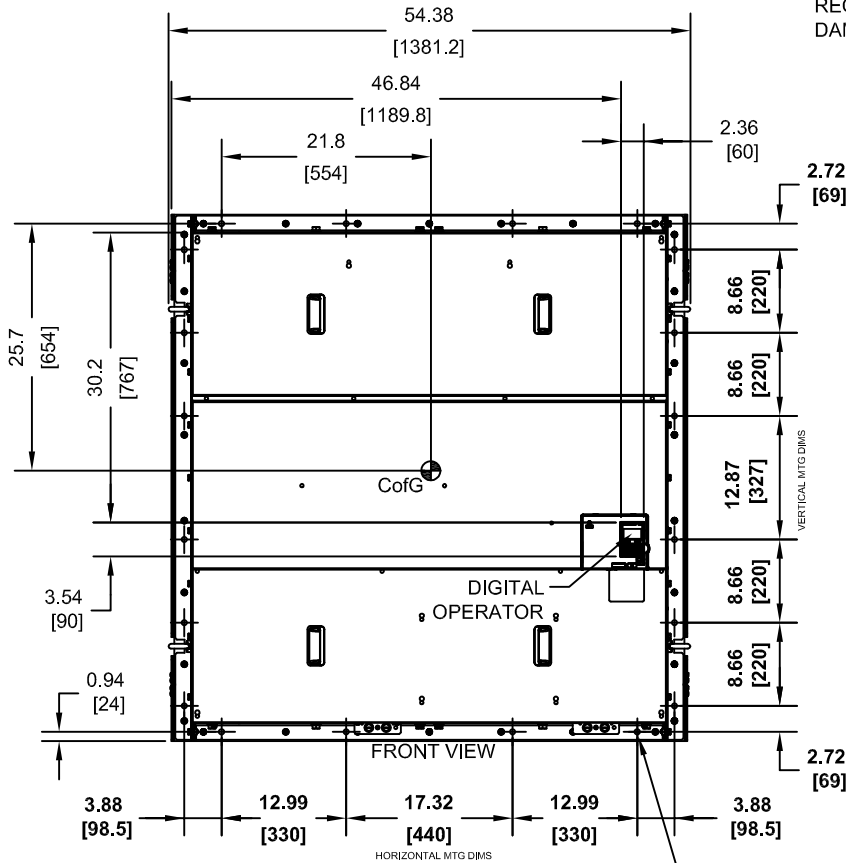
NOTE:
SPREADER BAR
REQUIRED TO AVOID
DAMAGE DURING LIFTING



M16 THREAD

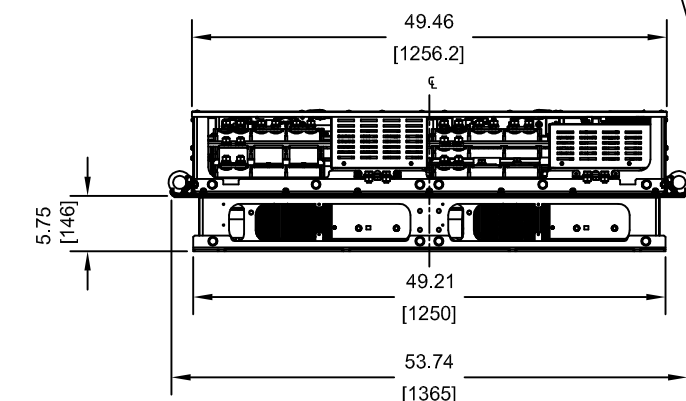


(2)-MOUNTING BRACKETS
USED DURING TRANSPORT ONLY
REMOVE BEFORE INSTALLING



FRONT VIEW
HORIZONTAL MTG DIMS

(20)-MOUNTING HOLES
FOR 1/2" [M12] SCREWS



| MODEL # CIMR-PU | INPUT TYPE | VOLTAGE THREE-PHASE (VAC) | OUTPUT CURRENT (A) | WEIGHT LBS (Kg) | HEAT LOSS (W) (Fc=2kHz) | | |
|--------------------|---------------|---------------------------------|-----------------------|--------------------|----------------------------|------|-------|
| | | | | | INT | EXT | TOT |
| 4A0930UXX | 6 PULSE | 380/480 | 930 | 1265 (575) | 2952 | 8476 | 11428 |
| 4A1200UXX | 6 PULSE | | 1200 | 1291 (587) | 3612 | 8572 | 12184 |

NOTES:
XX DENOTES AA-ZZ

INT=INTERNAL COMPONENTS
EXT=EXTERNAL HEATSINK
TOT=TOTAL

FOR ADDITIONAL DETAILS AND SPECIFICATIONS, CONSULT MANUAL

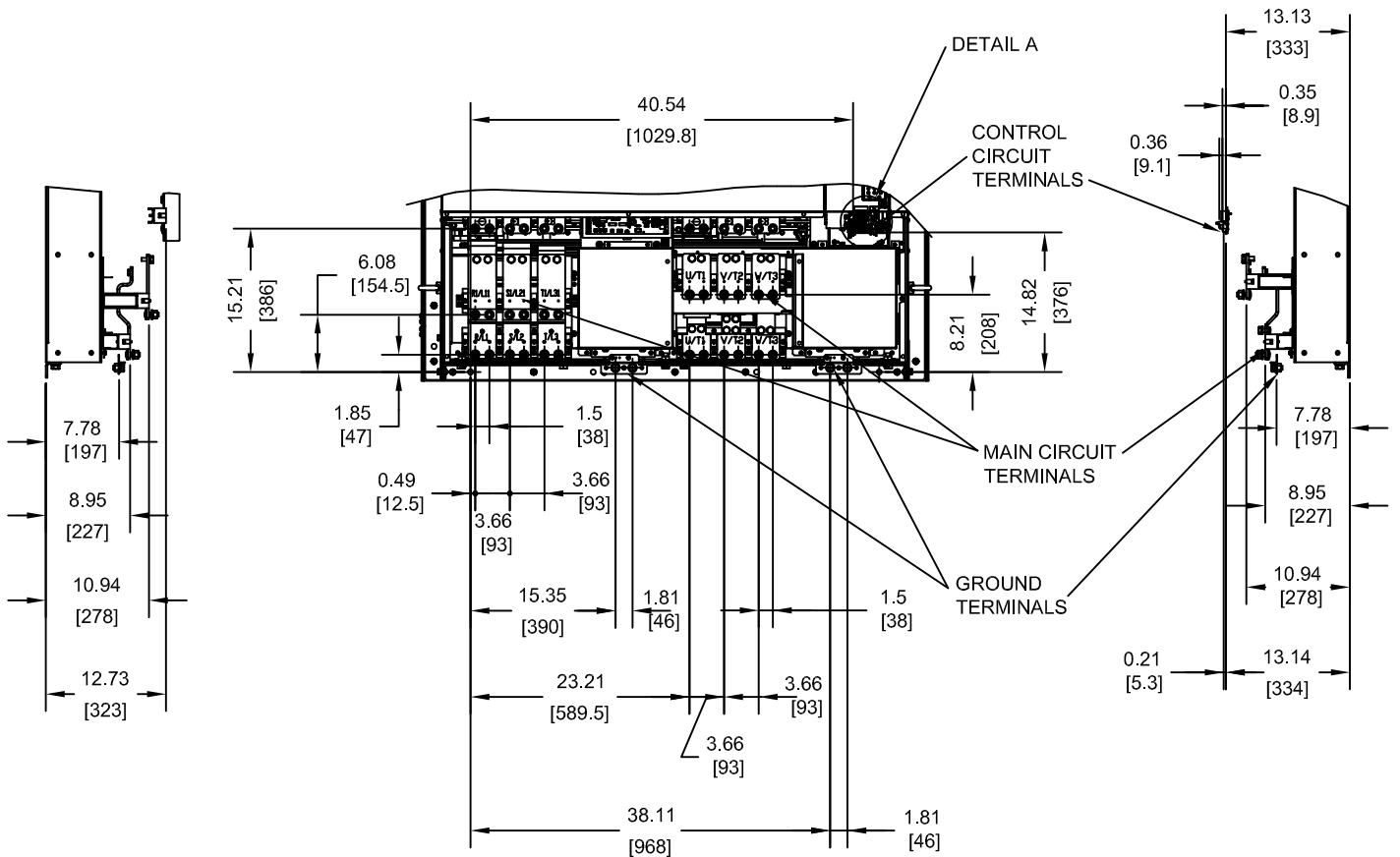
TOLERANCES / REFERENCES:



THIS DOCUMENT AND INFORMATION CONTAINED
IN IT ARE CONFIDENTIAL, AND CANNOT BE
COPIED OR DISCLOSED IN WHOLE OR IN PART
WITHOUT THE EXPRESS WRITTEN CONSENT
OF YASKAWA AMERICA, INC.

| | | |
|---------------------------|------------------|--------------------------------------|
| DRAWN: J. MATTAS | DATE 11-21-13 | TITLE: P1000 DIMENSION DRAWING |
| CHECKED: J. PIOTROWSKI | DATE 11-25-13 | FRAME SIZE 15 |
| TECH: J. BORJA | DATE 12-3-13 | DESIGNED FOR IP54/TYPE 12 ENCLOSURES |
| APPROVED: J. CAIRO | DATE 12-9-13 | 4A0930U AND 4A1200U |
| ORIGINAL DESIGN: - | DATE - | SIZE: A |
| | | REVISION: R00 |
| | | PAGE: 1 of 3 |
| | | DRAWING #: DD.P1K.FR15.FLNG |

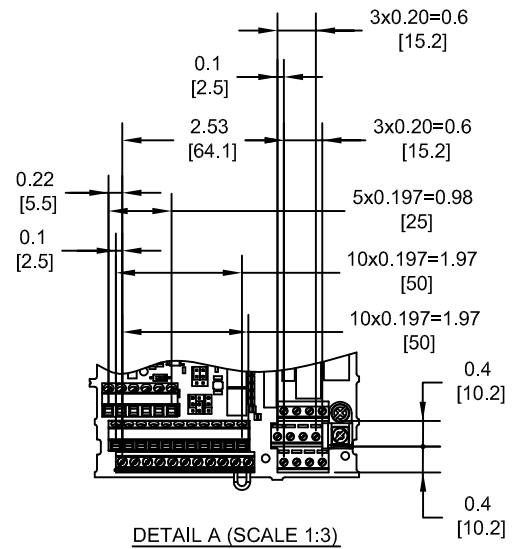
TERMINAL AND WIRING DETAILS (SCALE 1:20)



TERMINAL AND WIRE SPECIFICATIONS FOR MAIN CIRCUIT AND GROUND

| MODEL # CIMR-PU | TERMINAL SYMBOL | TERMINAL SCREW | CLAMPING TORQUE lb.in.(N.m.) |
|--------------------|------------------|----------------|---------------------------------|
| 4A0930U 4A1200U | R/L1, S/L2, T/L3 | M12 | 283.2 TO 354.0 (32 TO 40) |
| | U/T1, V/T2, W/T3 | | |
| | ⊖, ⊕1 | | |
| | ⊕3 | M12 | |
| | ⊕ | M12 | |

NOTE: REFER TO APPLICABLE CODES FOR PROPER WIRE TYPE AND SIZE



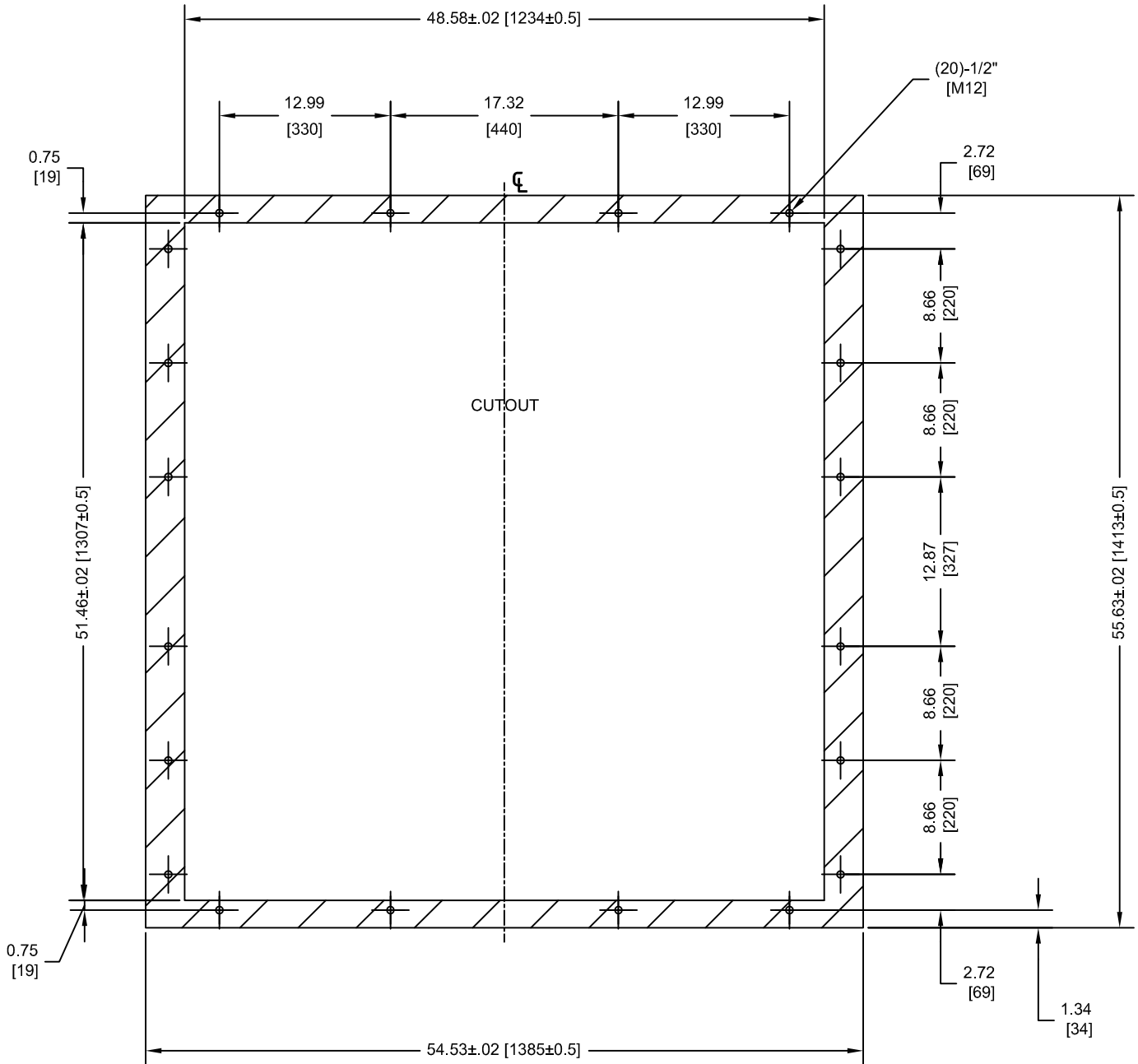
DETAIL A (SCALE 1:3)

FOR ADDITIONAL DETAILS AND SPECIFICATIONS, CONSULT MANUAL

| | | | | | | | | |
|--------------------------|--|-------------------|---|---|--|------------|------------------|--------------------------------|
| TOLERANCES / REFERENCES: | | | DRAWN: J. MATTAS DATE: 11-21-13 | TITLE: P1000 DIMENSION DRAWING FRAME SIZE 15 DESIGNED FOR IP54/TYPE 12 ENCLOSURES 4A0930U AND 4A1200U | | | | |
| | | | CHECKED: J. PIOTROWSKI DATE: 11-25-13 | TECH: J. BORJA DATE: 12-3-13 | APPROVED: J. CAIRO DATE: 12-9-13 | SIZE: A | REVISION: R00 | PAGE: 2 of 3 |
| UNITS: IN[mm] | | SCALE: BY VIEW | | ORIGINAL DESIGN: - | | DATE: - | | DRAWING #: DD.P1K.FR15.FLNG |

THIS DOCUMENT AND INFORMATION CONTAINED IN IT ARE CONFIDENTIAL, AND CANNOT BE COPIED OR DISCLOSED IN WHOLE OR IN PART WITHOUT THE EXPRESS WRITTEN CONSENT OF YASKAWA AMERICA, INC.


PANEL CUTOUT FOR EXTERNAL HEATSINK
MOUNTING CONFIGURATION (SCALE 1:12)



NOTES:

1. EXPOSED HEATSINK DEPTH
D=5.75" MINUS PANEL THICKNESS
2. MIN. RECOMMENDED PANEL
THICKNESS: 10 GA

FOR ADDITIONAL DETAILS AND SPECIFICATIONS, CONSULT MANUAL

| | | | | | | | |
|--------------------------|-------------------|---|--------------------------------------|-------------------|---|-----------------|--|
| TOLERANCES / REFERENCES: | |  | DRAWN: J. MATTAS 11-21-13 | DATE: 11-21-13 | TITLE: P1000 DIMENSION DRAWING FRAME SIZE 15 DESIGNED FOR IP54/TYPE 12 ENCLOSURES 4A0930U AND 4A1200U | | |
| | | | CHECKED: J. PIOTROWSKI 12-3-13 | DATE: 12-3-13 | | | |
| | | TECH: J. BORJA 12-9-13 | DATE: 12-9-13 | SIZE: A | REVISION: R00 | PAGE: 3 of 3 | |
| UNITS: IN[mm] | SCALE: BY VIEW | APPROVED: J. CAIRO | | DATE: - | DRAWING #: DD.P1K.FR15.FLNG | | |
| | | ORIGINAL DESIGN: - | | | | | |

THIS DOCUMENT AND INFORMATION CONTAINED
IN IT ARE CONFIDENTIAL, AND CANNOT BE
COPIED OR DISCLOSED IN WHOLE OR IN PART
WITHOUT THE EXPRESS WRITTEN CONSENT
OF YASKAWA AMERICA, INC.