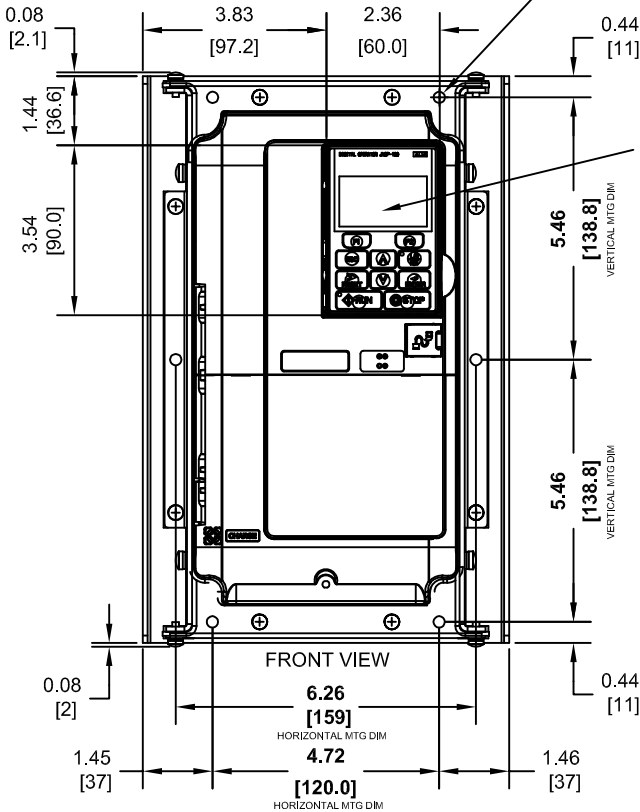
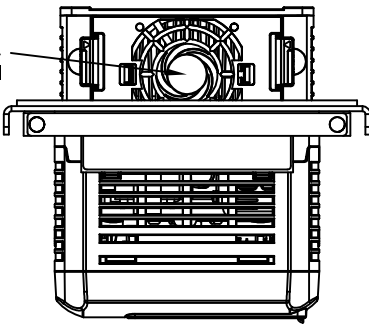


(1) EXTERNAL COOLING FAN

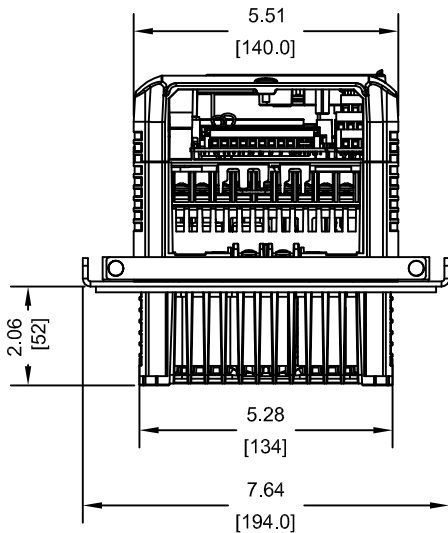
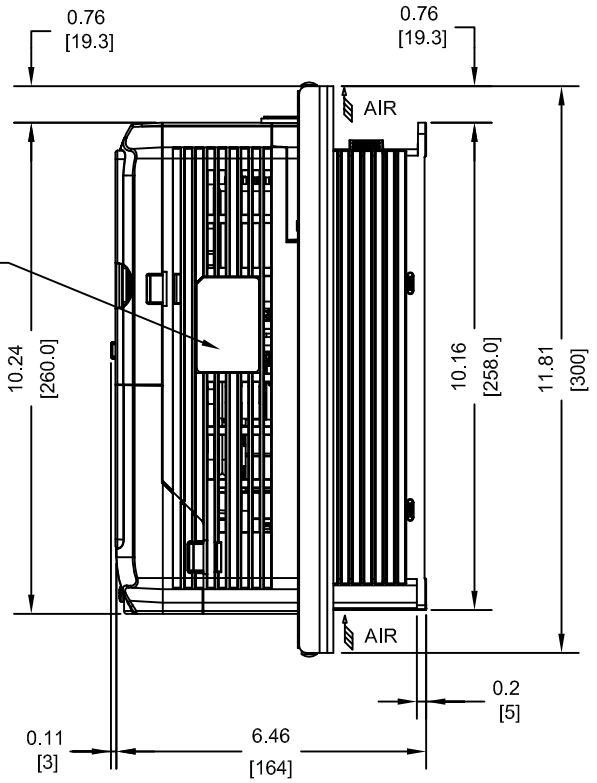
NOTE:
MAXIMUM SURROUNDING AIR TEMPERATURE RATING IS 122F(50C).



(6)-MOUNTING HOLES FOR #10[M5] SCREWS

DIGITAL OPERATOR

NAMEPLATE



MODEL # CIMR-PU	VOLTAGE THREE-PHASE (VAC)	OUTPUT CURRENT (A)	WEIGHT LBS (Kg)	HEAT LOSS (W) (Fc=2kHz)		
				INT	EXT	TOT
2A0018UXX	200/240	17.5	8.1 (3.7)	67.4	100.7	168.1
2A0021UXX		21.0	8.1 (3.7)	83.3	138.4	221.7
4A0007UXX	380/480	6.9	7.9 (3.6)	59.0	62.1	121.1
4A0009UXX		8.8	8.1 (3.7)	60.4	65.8	126.2
4A0011UXX		11.1	8.1 (3.7)	73.0	88.7	161.7
5A0006UXX	500/600	6.1	8.1 (3.7)	43.7	28.1	71.8
5A0009UXX		9.0	8.1 (3.7)	68.9	43.4	112.3

NOTE:
XX DENOTES AA-ZZ

INT=INTERNAL COMPONENTS
EXT=EXTERNAL HEATSINK
TOT=TOTAL

FOR ADDITIONAL DETAILS AND SPECIFICATIONS, CONSULT MANUAL

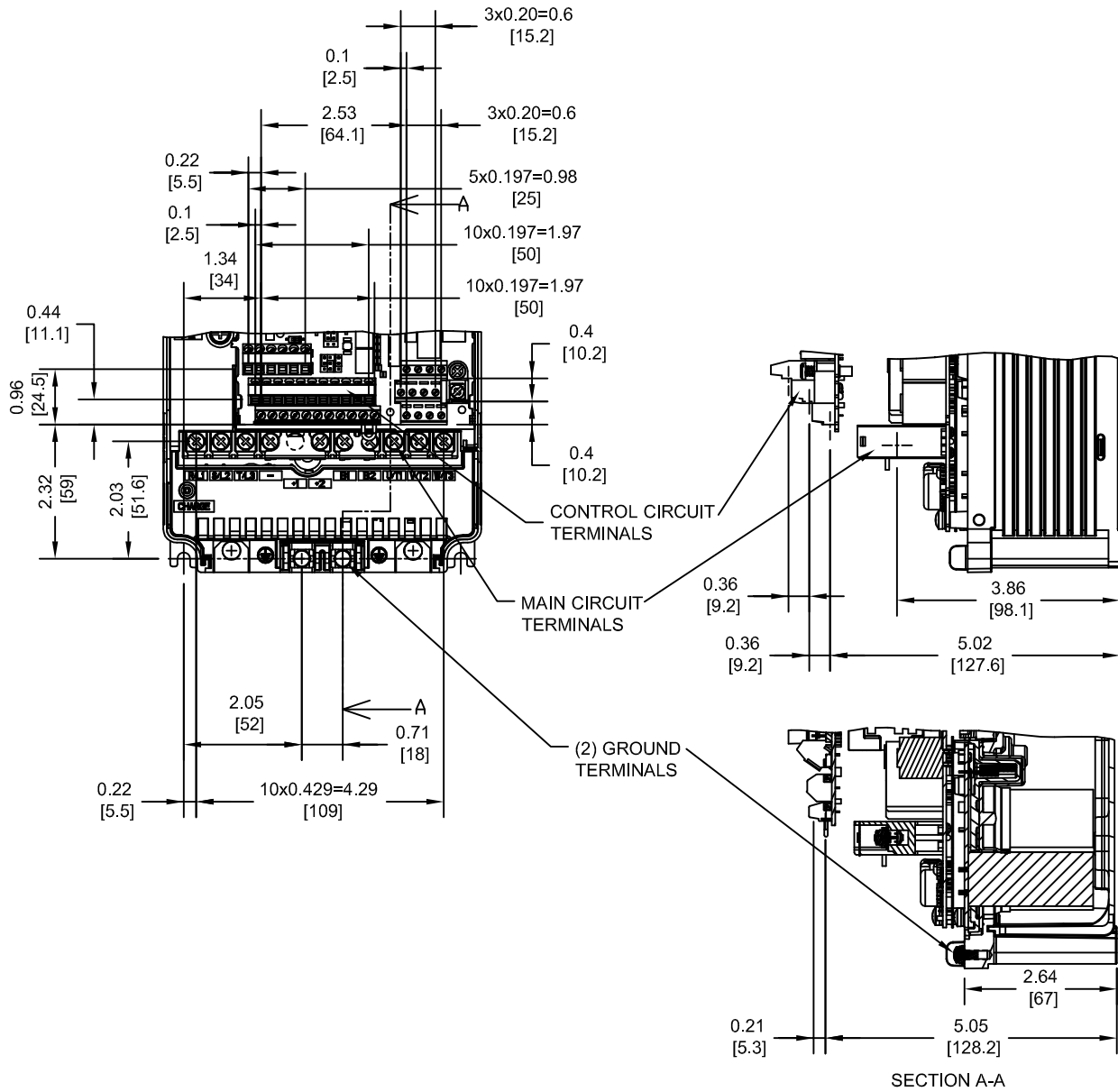
TOLERANCES / REFERENCES:



THIS DOCUMENT AND INFORMATION CONTAINED IN IT ARE CONFIDENTIAL, AND CANNOT BE COPIED OR DISCLOSED IN WHOLE OR IN PART WITHOUT THE EXPRESS WRITTEN CONSENT OF YASKAWA AMERICA, INC.

DRAWN: J. MATTAS	DATE 11-6-12	TITLE: P1000 DIMENSION DRAWING
CHECKED: J. PIOTROWSKI	DATE 1-17-13	FRAME SIZE 2
TECH: J. BORJA	DATE 1-22-13	DESIGNED FOR IP54/N12 ENCLOSURES
APPROVED: J. CAIRO	DATE 5-29-13	2A00018 - 21, 4A0007 - 11, 5A0006 - 09
ORIGINAL DESIGN: -	DATE -	SIZE A
		REVISION R00
		PAGE 1 of 3
		DRAWING #: DD.P1K.FR2.FLNG

TERMINAL AND WIRING DETAILS (SCALE 1:3)



TERMINAL AND WIRE SPECIFICATIONS FOR MAIN CIRCUIT AND GROUND

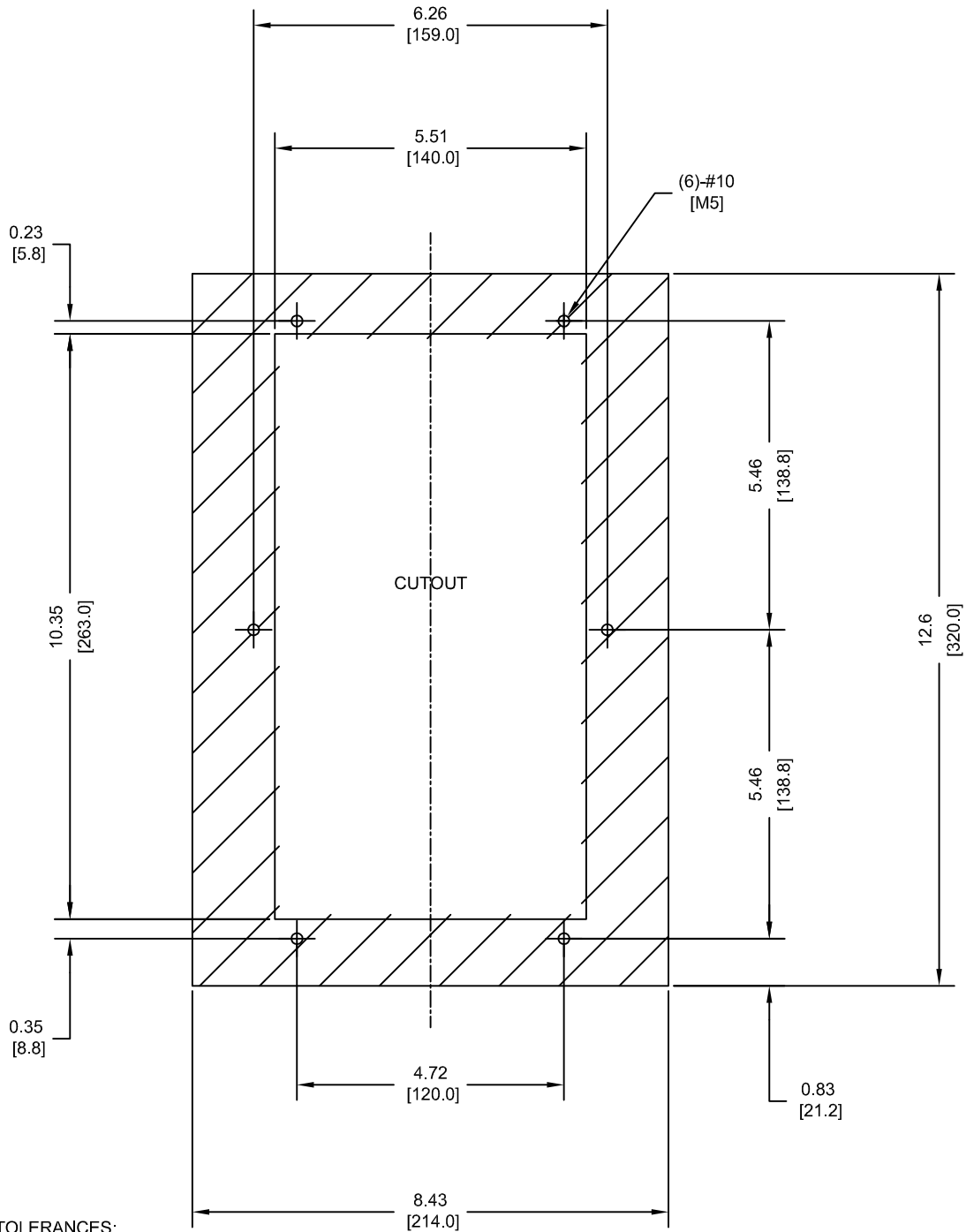
MODEL # CIMR-PU	TERMINAL SYMBOL	TERMINAL SCREW	CLAMPING TORQUE lb.in.(N.m.)	WIRE RANGE AWG(mm ²)
2A0018 2A0021 4A0007 4A0009 4A0011 5A0006 5A0009	R/L1, S/L2, T/L3, ⊖, ⊕1, ⊕2, B1, B2, U/T1, V/T2, W/T3, ⊕	M4	10.6 TO 13.2 (1.2 TO 1.5)	14-10 (2.5-6.0)

NOTE: REFER TO APPLICABLE CODES FOR PROPER WIRE TYPE AND SIZE

FOR ADDITIONAL DETAILS AND SPECIFICATIONS, CONSULT MANUAL

TOLERANCES / REFERENCES:			DRAWN: J. MATTAS DATE: 11-6-12	TITLE: P1000 DIMENSION DRAWING FRAME SIZE 2 DESIGNED FOR IP54/N12 ENCLOSURES 2A00018 - 21, 4A0007 - 11, 5A0006 - 09	
THIS DOCUMENT AND INFORMATION CONTAINED IN IT ARE CONFIDENTIAL, AND CANNOT BE COPIED OR DISCLOSED IN WHOLE OR IN PART WITHOUT THE EXPRESS WRITTEN CONSENT OF YASKAWA AMERICA, INC.			CHECKED: J. PIOTROWSKI DATE: 1-17-13	DATE: 1-22-13	SIZE: A
UNITS: IN [mm]	SCALE: BY VIEW	TECH: J. BORJA DATE: 5-29-13	APPROVED: J. CAIRO DATE: 5-29-13	ORIGINAL DESIGN: -	DATE: -
			DRAWING #: DD.P1K.FR2.FLNG		
			PAGE 2 of 3		


PANEL CUTOUT FOR EXTERNAL HEATSINK
MOUNTING CONFIGURATION (SCALE 1:3)



NOTES:

- CUTOUT TOLERANCES:
+/- 0.02IN (0.5MM)
- EXPOSED HEATSINK
RECOMMENDED CLEARANCE
D=2.36" MINUS PANEL THICKNESS

FOR ADDITIONAL DETAILS AND SPECIFICATIONS, CONSULT MANUAL

TOLERANCES / REFERENCES:		 THIS DOCUMENT AND INFORMATION CONTAINED IN IT ARE CONFIDENTIAL, AND CANNOT BE COPIED OR DISCLOSED IN WHOLE OR IN PART WITHOUT THE EXPRESS WRITTEN CONSENT OF YASKAWA AMERICA, INC.	DRAWN: J. MATTAS DATE: 11-6-12	TITLE: P1000 DIMENSION DRAWING FRAME SIZE 2 DESIGNED FOR IP54/N12 ENCLOSURES 2A00018 - 21, 4A0007 - 11, 5A0006 - 09	
UNITS: IN [mm]			CHECKED: J. PIOTROWSKI DATE: 1-17-13	TECH: J. BORJA DATE: 1-22-13	SIZE: A
SCALE: BY VIEW		APPROVED: J. CAIRO DATE: 5-29-13	ORIGINAL DESIGN: -	DATE: -	PAGE: 3 of 3
			DRAWING #: DD.P1K.FR2.FLNG		