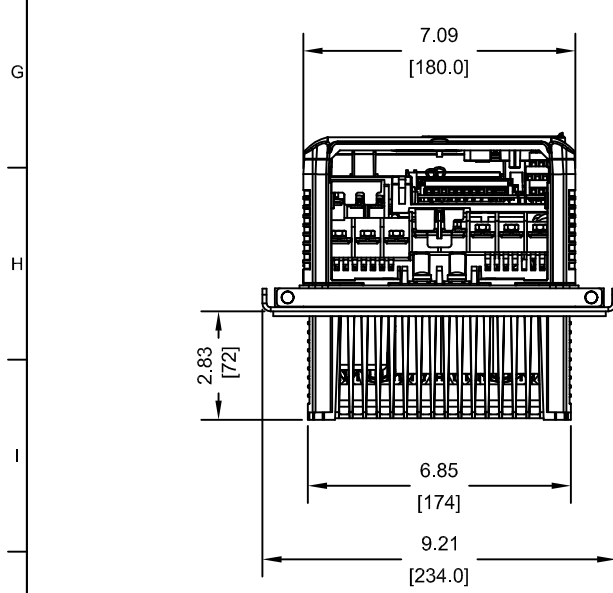
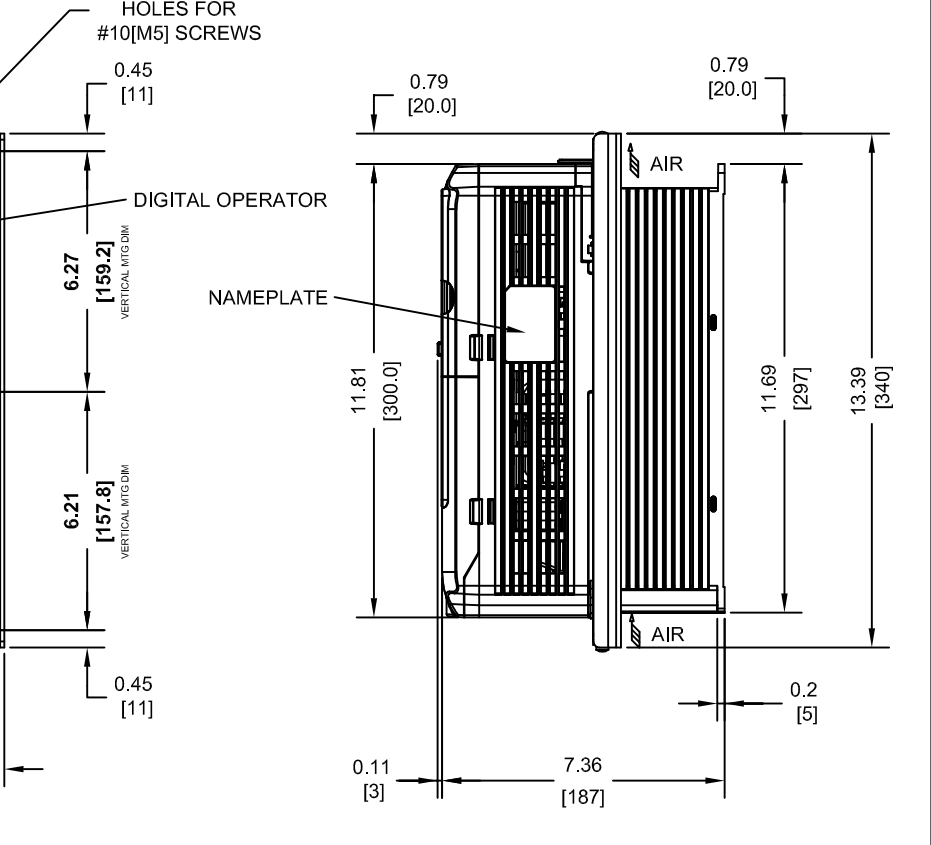
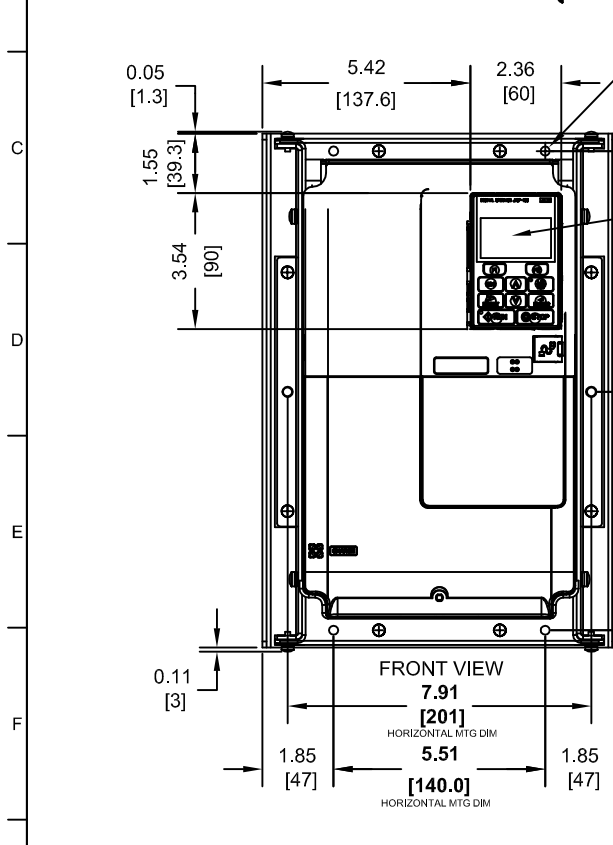


NOTE:  
MAXIMUM SURROUNDING AIR TEMPERATURE RATING IS 122F(50C).



MODEL # CIMR-PU	VOLTAGE THREE-PHASE (VAC)	OUTPUT CURRENT (A)	WEIGHT LBS (Kg)	HEAT LOSS (W) (Fc=2kHz)		
				INT	EXT	TOT
2A0056UXX	200/240	56.0	13.0 (5.9)	175.4	370.7	546.1
4A0038UXX	380/480	38.0	13.2 (6.0)	181.6	339.6	521.2
5A0017UXX	500/600	17.0	13.2 (6.0)	146.7	96.6	243.3
5A0022UXX		22.0	13.2 (6.0)	178.3	99.4	277.7

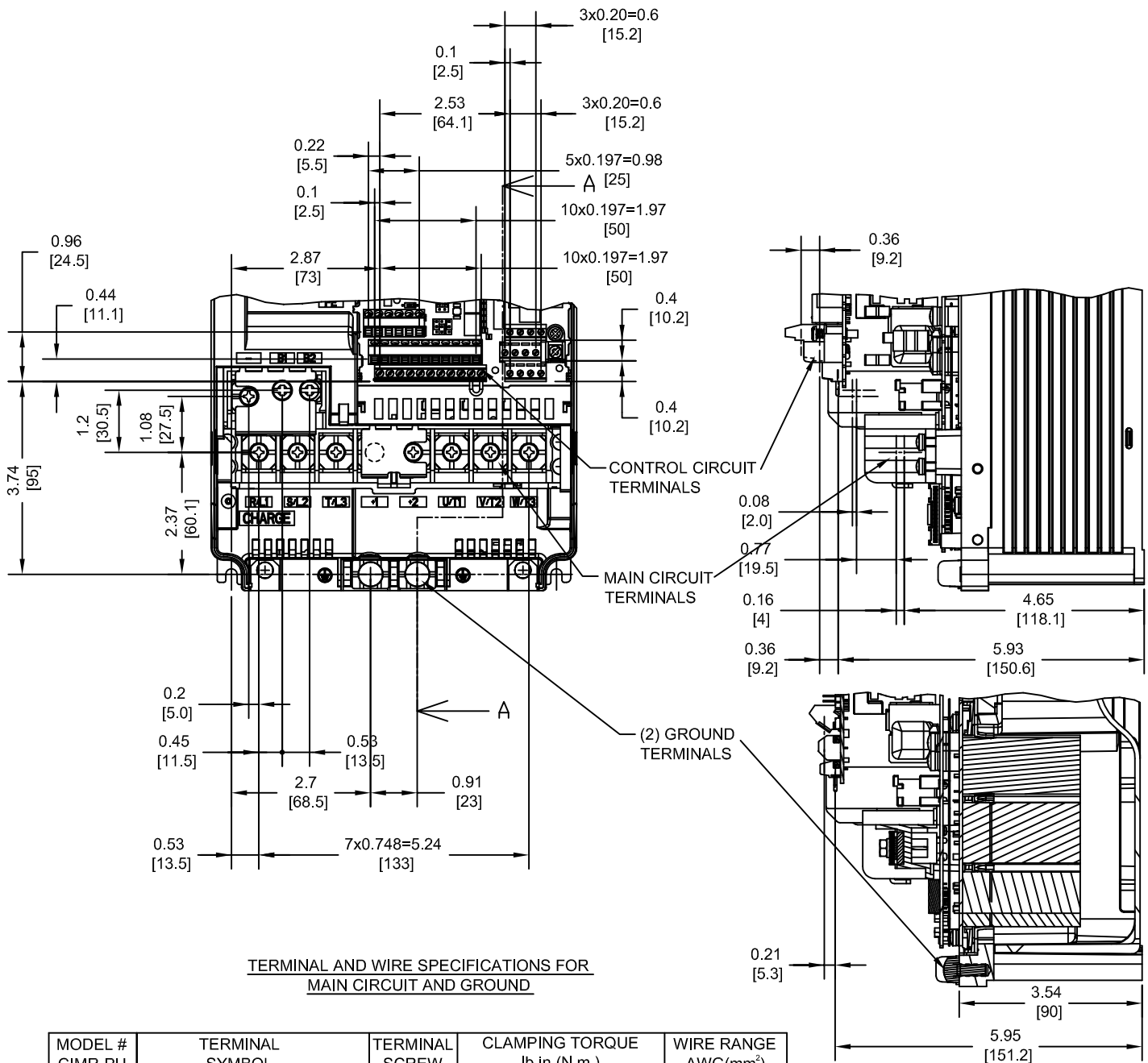
NOTE:  
XX DENOTES AA-ZZ

INT=INTERNAL COMPONENTS  
EXT=EXTERNAL HEATSINK  
TOT=TOTAL

FOR ADDITIONAL DETAILS AND SPECIFICATIONS, CONSULT MANUAL

TOLERANCES / REFERENCES:	<p>THIS DOCUMENT AND INFORMATION CONTAINED IN IT ARE CONFIDENTIAL, AND CANNOT BE COPIED OR DISCLOSED IN WHOLE OR IN PART WITHOUT THE EXPRESS WRITTEN CONSENT OF YASKAWA AMERICA, INC.</p>	DRAWN: J. MATTAS DATE: 11-6-12	TITLE: P1000 DIMENSION DRAWING FRAME SIZE 5 DESIGNED FOR IP54/N12 ENCLOSURES 2A0056, 4A0038, 5A0017, 5A0022		
		CHECKED: J. PIOTROWSKI DATE: 1-17-13	TECH: J. BORJA DATE: 1-22-13	REVISION: R00	PAGE: 1 of 3
		APPROVED: J. CAIRO DATE: 5-29-13	ORIGINAL DESIGN: -	DATE: -	DRAWING #: DD.P1K.FR5.FLNG
		UNITS: IN [mm]	SCALE: 1:5		

TERMINAL AND WIRING DETAILS (SCALE 1:3)



TERMINAL AND WIRE SPECIFICATIONS FOR MAIN CIRCUIT AND GROUND

MODEL # CIMR-PU	TERMINAL SYMBOL	TERMINAL SCREW	CLAMPING TORQUE lb.in.(N.m.)	WIRE RANGE AWG(mm <sup>2</sup> )
2A0056	R/L1, S/L2, T/L3, U/T1, V/T2, W/T3, ⊖, ⊕1, ⊕2,	M6	35.4 TO 53.1 (4 TO 6)	6-4 (16-25)
	B1, B2	M5	17.7 TO 22.1 (2 TO 2.5)	10-6 (6.0-16)
	⊕	M6	35.4 TO 53.1 (4 TO 6)	8-6 (10-16)
4A0038 5A0017 5A0022	R/L1, S/L2, T/L3, U/T1, V/T2, W/T3,	M5	17.7 TO 22.1 (2 TO 2.5)	8-6 (10-16)
	⊖, ⊕1, ⊕2,			6 (16)
	B1, B2	M6	35.4 TO 53.1 (4 TO 6)	10-8 (6.0-10)
	⊕			10-6 (6.0-16)

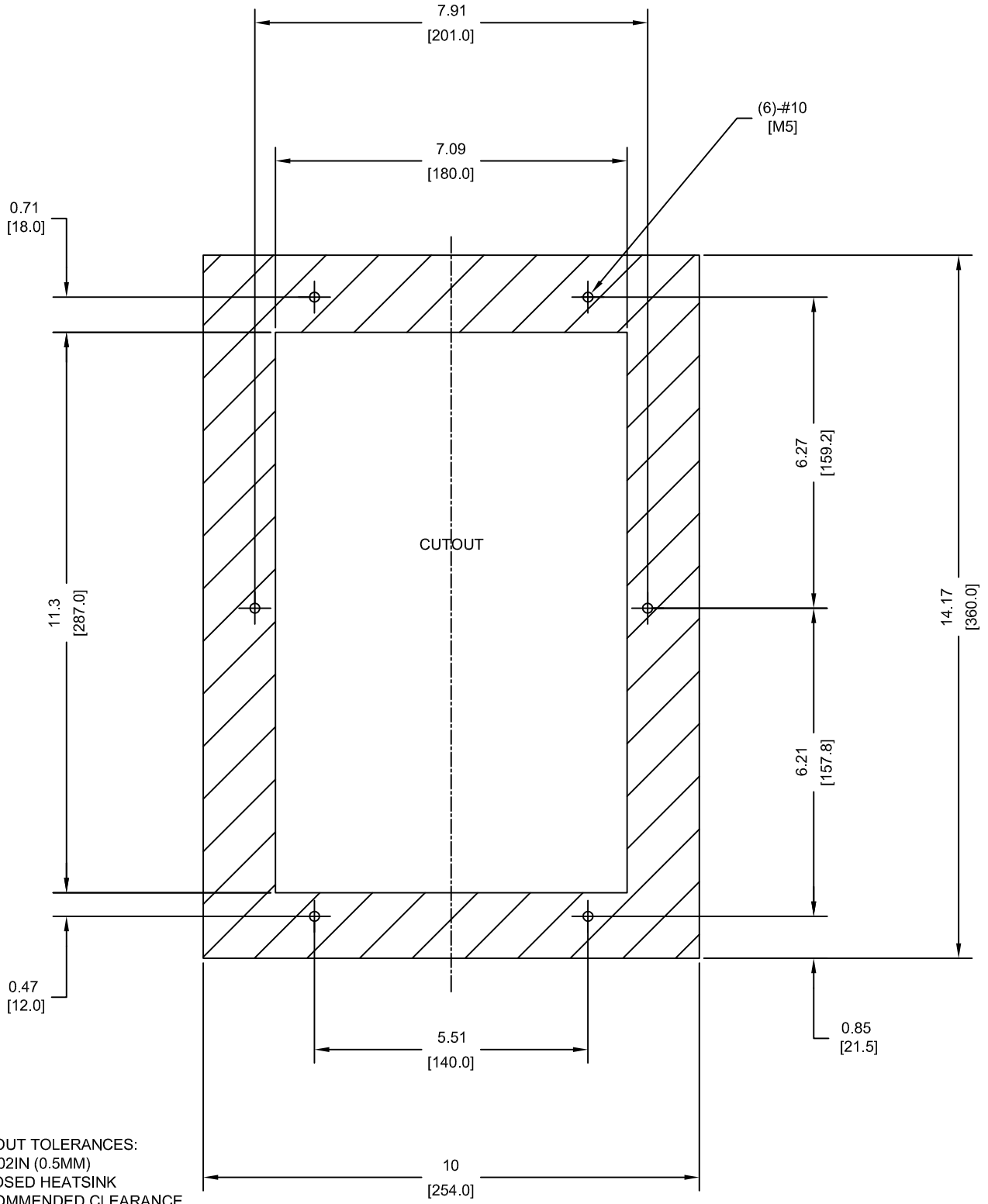
NOTE: REFER TO APPLICABLE CODES FOR PROPER WIRE TYPE AND SIZE

SECTION A-A

FOR ADDITIONAL DETAILS AND SPECIFICATIONS, CONSULT MANUAL

TOLERANCES / REFERENCES:  <b>YASKAWA</b>  <i>THIS DOCUMENT AND INFORMATION CONTAINED IN IT ARE CONFIDENTIAL, AND CANNOT BE COPIED OR DISCLOSED IN WHOLE OR IN PART WITHOUT THE EXPRESS WRITTEN CONSENT OF YASKAWA AMERICA, INC.</i>	DRAWN: J. MATTAS	DATE 11-6-12	TITLE: P1000 DIMENSION DRAWING
	CHECKED: J. PIOTROWSKI	DATE 1-17-13	FRAME SIZE 5 DESIGNED FOR IP54/N12 ENCLOSURES
	TECH: J. BORJA	DATE 1-22-13	2A0056, 4A0038, 5A0017, 5A0022
	APPROVED: J. CAIRO	DATE 5-29-13	
UNITS: IN [mm]	SCALE: BY VIEW	ORIGINAL DESIGN: -	DATE -
		SIZE A	REVISION R00
		PAGE 2 of 3	
		DRAWING #: <b>DD.P1K.FR5.FLNG</b>	

PANEL CUTOUT FOR EXTERNAL HEATSINK  
MOUNTING CONFIGURATION (SCALE 1:3)



- NOTES:**
- CUTOUT TOLERANCES:  
+/- 0.02IN (0.5MM)
  - EXPOSED HEATSINK  
RECOMMENDED CLEARANCE  
D=3.15" MINUS PANEL THICKNESS

FOR ADDITIONAL DETAILS AND SPECIFICATIONS, CONSULT MANUAL

TOLERANCES / REFERENCES:			DRAWN: J. MATTAS 11-6-12	DATE: 11-6-12	TITLE: P1000 DIMENSION DRAWING FRAME SIZE 5 DESIGNED FOR IP54/N12 ENCLOSURES 2A0056, 4A0038, 5A0017, 5A0022		
			CHECKED: J. PIOTROWSKI 1-17-13	DATE: 1-17-13			
		TECH: J. BORJA 1-22-13	DATE: 1-22-13	SIZE: A	REVISION: R00	PAGE: 3 of 3	
		APPROVED: J. CAIRO 5-29-13	DATE: 5-29-13	DRAWING #: DD.P1K.FR5.FLNG			
UNITS: IN [mm]	SCALE: BY VIEW	ORIGINAL DESIGN: -		DATE: -			

THIS DOCUMENT AND INFORMATION CONTAINED  
IN IT ARE CONFIDENTIAL, AND CANNOT BE  
COPIED OR DISCLOSED IN WHOLE OR IN PART  
WITHOUT THE EXPRESS WRITTEN CONSENT  
OF YASKAWA AMERICA, INC.