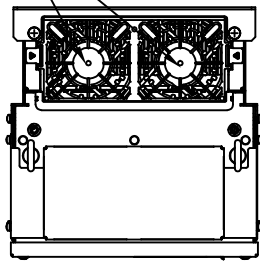
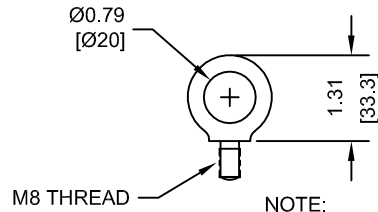


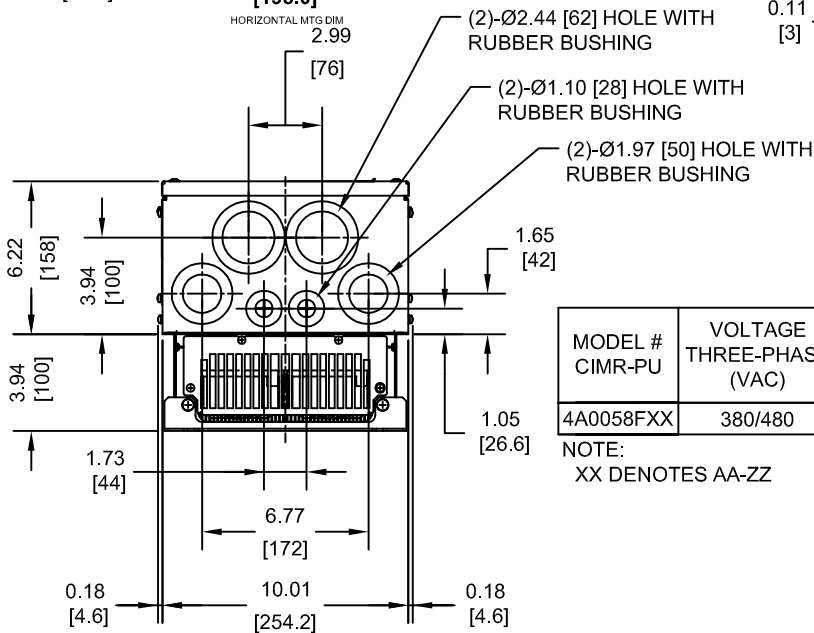
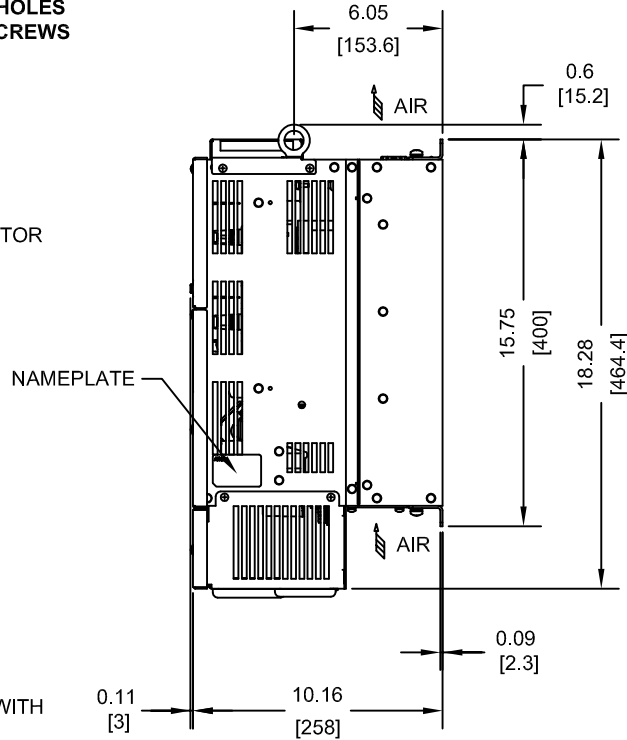
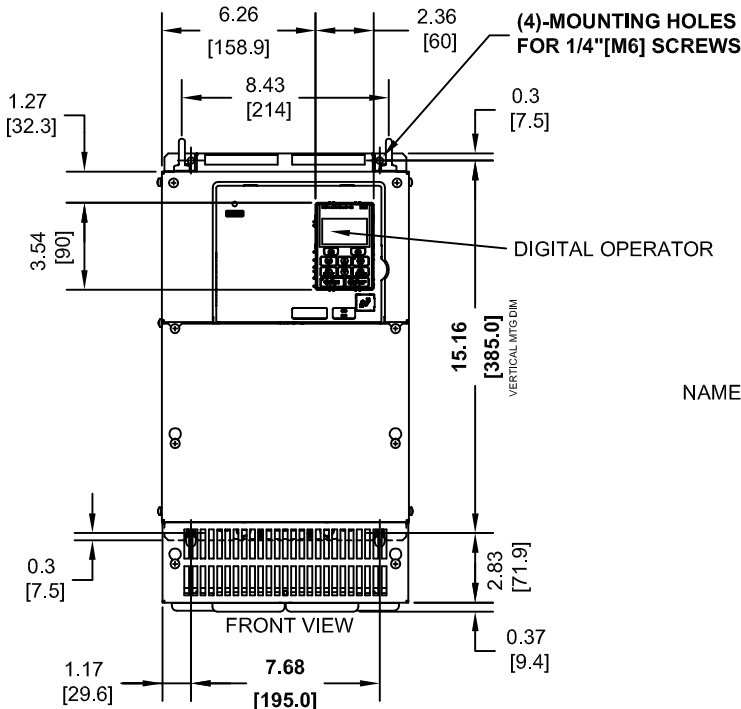
(2) EXTERNAL COOLING FANS



LIFTING AND EYEBOLT DETAILS



NOTE:
SPREADER BAR REQUIRED TO AVOID DAMAGE DURING LIFTING



MODEL # CIMR-PU	VOLTAGE THREE-PHASE (VAC)	OUTPUT CURRENT (A)	WEIGHT LBS (Kg)	HEAT LOSS (W) (Fc=2kHz)		
				INT	EXT	TOT
4A0058FXX	380/480	58.0	50.6 (23)	215	471	686

NOTE:
XX DENOTES AA-ZZ

INT=INTERNAL COMPONENTS
EXT=EXTERNAL HEATSINK
TOT=TOTAL

FOR ADDITIONAL DETAILS AND SPECIFICATIONS, CONSULT MANUAL

TOLERANCES / REFERENCES:



THIS DOCUMENT AND INFORMATION CONTAINED
IN IT ARE CONFIDENTIAL, AND CANNOT BE
COPIED OR DISCLOSED IN WHOLE OR IN PART
WITHOUT THE EXPRESS WRITTEN CONSENT
OF YASKAWA AMERICA, INC.

DRAWN:
J. MATTAS

DATE
12-9-11

CHECKED:
J. PIOTROWSKI

DATE
1-5-12

TECH:
J. BORJA

DATE
1-9-12

APPROVED:
J. CAIRO

DATE
1-10-12

ORIGINAL DESIGN:

DATE

TITLE:
P1000 DIMENSION DRAWING
FRAME SIZE 7B
NEMA TYPE 1 ENCLOSURE
4A0058

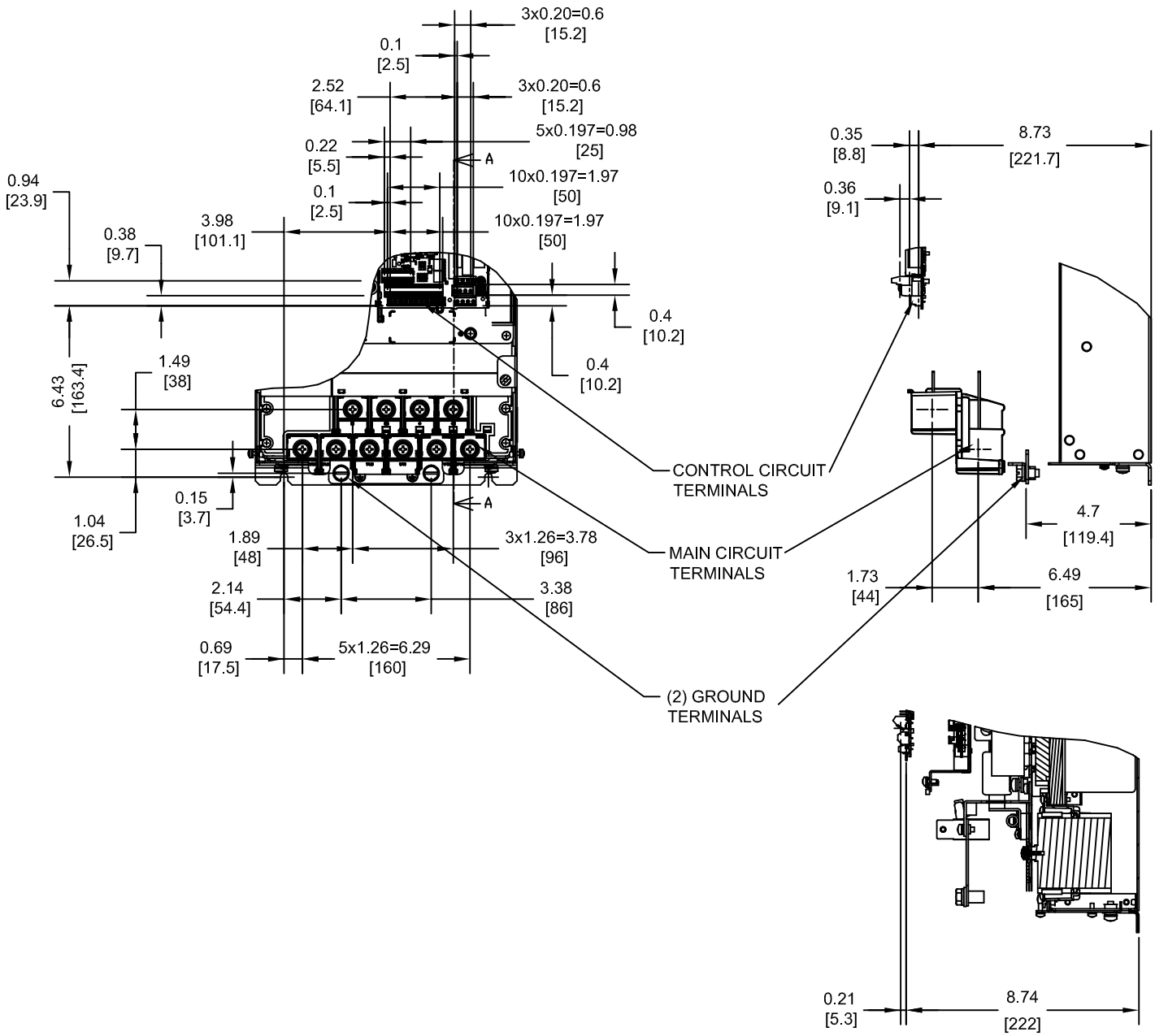
SIZE A	REVISION R00	PAGE 1 of 3
-----------	-----------------	----------------

DRAWING #:
DD.P1K.FR7B.N1

UNITS:
IN [mm]

SCALE:
1:8

TERMINAL AND WIRING DETAILS (SCALE 1:6)



TERMINAL AND WIRE SPECIFICATIONS FOR MAIN CIRCUIT AND GROUND

SECTION A-A

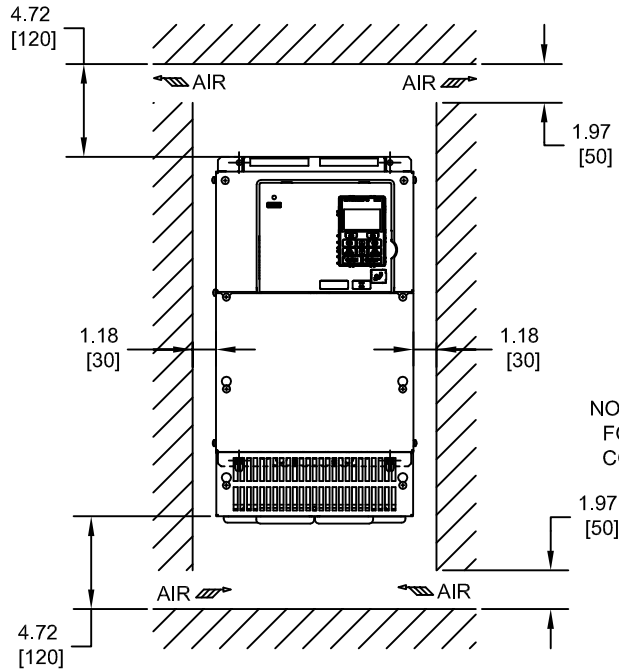
MODEL # CIMR-PU	TERMINAL SYMBOL	TERMINAL SCREW	CLAMPING TORQUE lb.in.(N.m.)	WIRE RANGE AWG(mm ²)
4A0058	R/L1, S/L2, T/L3	M8	79.7 TO 97.4 (9 TO 11)	10-1/0 (5.3-53.5)
	U/T1, V/T2, W/T3			
	⊖, ⊕1			
	B1, B2	M8	79.7 TO 97.4 (9 TO 11)	SEE NOTE
⊕				

NOTE: REFER TO APPLICABLE CODES FOR PROPER WIRE TYPE AND SIZE

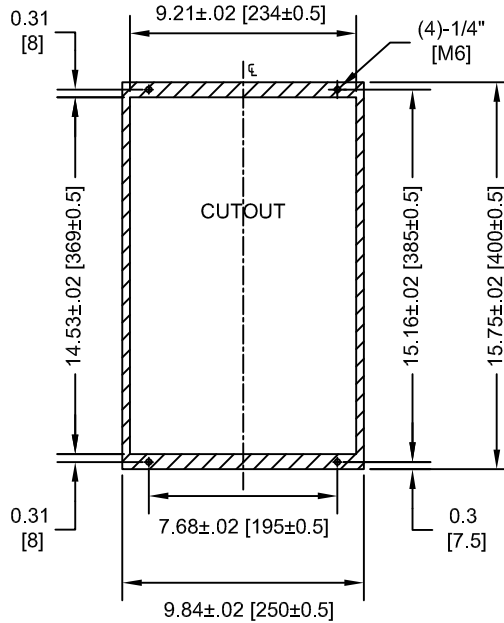
FOR ADDITIONAL DETAILS AND SPECIFICATIONS, CONSULT MANUAL

TOLERANCES / REFERENCES:			DRAWN: J. MATTAS DATE 12-9-11	TITLE: P1000 DIMENSION DRAWING FRAME SIZE 7B NEMA TYPE 1 ENCLOSURE 4A0058		
UNITS: IN [mm]	SCALE: BY VIEW		CHECKED: J. PIOTROWSKI DATE 1-5-12	TECH: J. BORJA DATE 1-9-12	SIZE A	REVISION R00
THIS DOCUMENT AND INFORMATION CONTAINED IN IT ARE CONFIDENTIAL, AND CANNOT BE COPIED OR DISCLOSED IN WHOLE OR IN PART WITHOUT THE EXPRESS WRITTEN CONSENT OF YASKAWA AMERICA, INC.		APPROVED: J. CAIRO DATE 1-10-12	ORIGINAL DESIGN: -	DRAWING #: DD.P1K.FR7B.N1		

MINIMUM INSTALLATION CLEARANCES (SCALE 1:10)



PANEL CUTOUT FOR EXTERNAL HEATSINK MOUNTING CONFIGURATION (SCALE 1:8)



NOTE:
EXPOSED HEATSINK DEPTH
D=3.94" MINUS PANEL THICKNESS

FOR ADDITIONAL DETAILS AND SPECIFICATIONS, CONSULT MANUAL

TOLERANCES / REFERENCES:			DRAWN: J. MATTAS DATE: 12-9-11	TITLE: P1000 DIMENSION DRAWING FRAME SIZE 7B NEMA TYPE 1 ENCLOSURE 4A0058
			CHECKED: J. PIOTROWSKI DATE: 1-5-12	SIZE: A REVISION: R00 PAGE: 3 of 3
UNITS: IN [mm]		THIS DOCUMENT AND INFORMATION CONTAINED IN IT ARE CONFIDENTIAL, AND CANNOT BE COPIED OR DISCLOSED IN WHOLE OR IN PART WITHOUT THE EXPRESS WRITTEN CONSENT OF YASKAWA AMERICA, INC.		DRAWING #: DD.P1K.FR7B.N1
SCALE: BY VIEW		TECH: J. BORJA DATE: 1-9-12	APPROVED: J. CAIRO DATE: 1-10-12	
		ORIGINAL DESIGN: -	DATE: -	