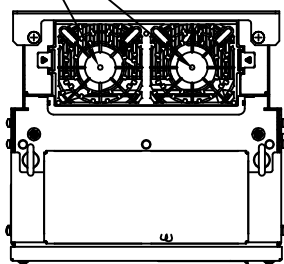
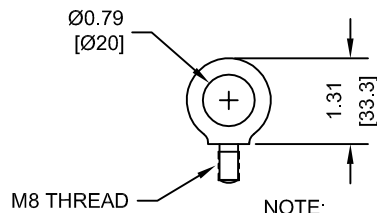


(2) EXTERNAL COOLING FANS

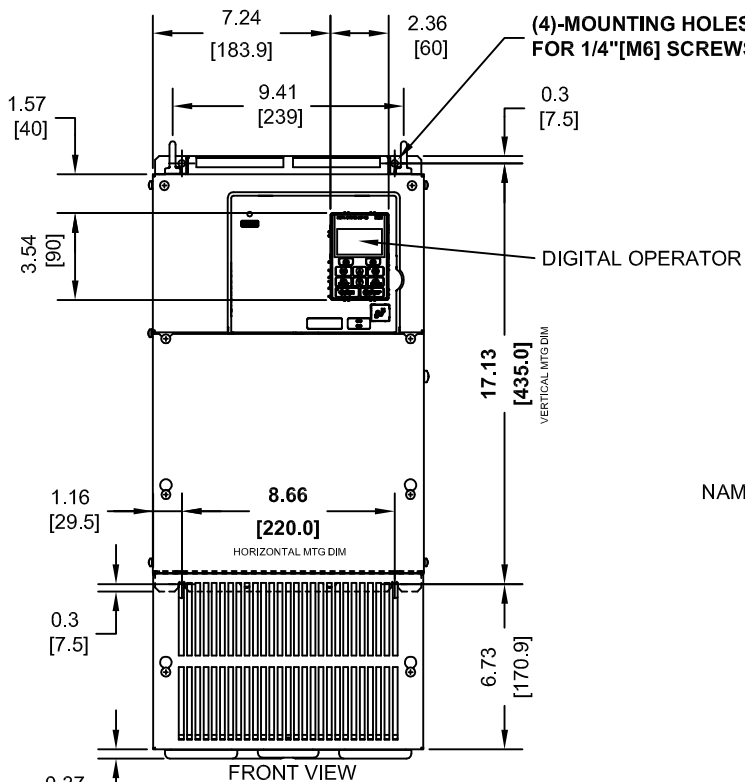


LIFTING AND EYEBOLT DETAILS



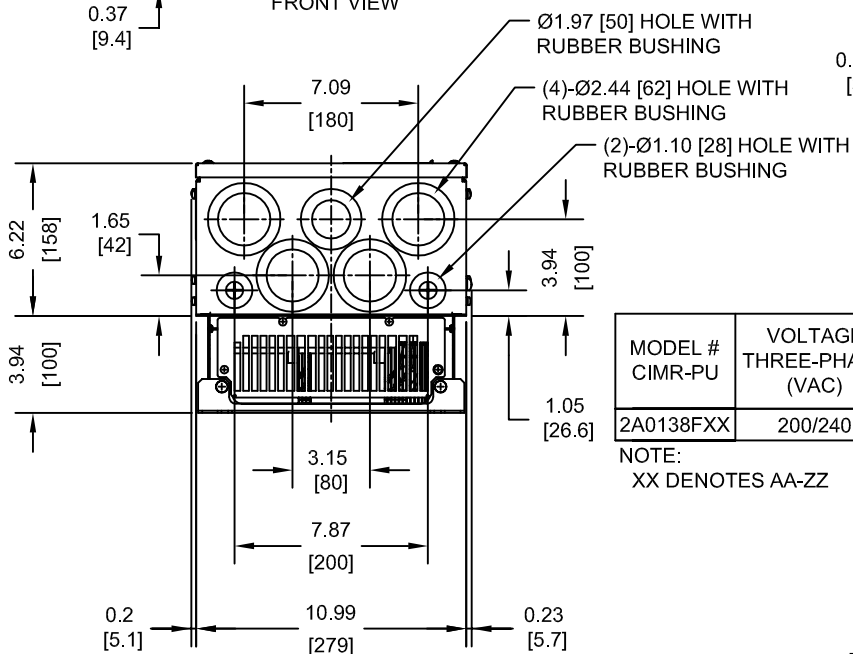
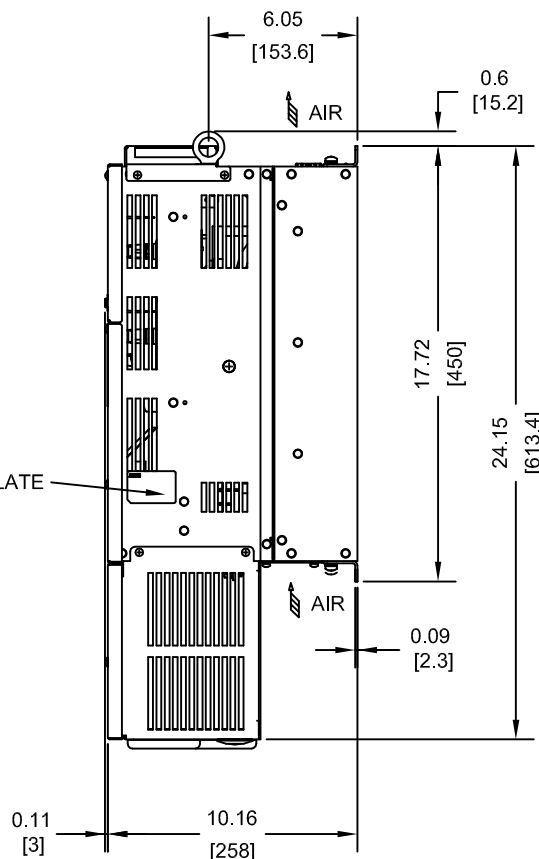
NOTE:
SPREADER BAR REQUIRED TO AVOID DAMAGE DURING LIFTING

(4)-MOUNTING HOLES FOR 1/4"[M6] SCREWS



DIGITAL OPERATOR

NAMEPLATE



Ø1.97 [50] HOLE WITH RUBBER BUSHING
(4)-Ø2.44 [62] HOLE WITH RUBBER BUSHING
(2)-Ø1.10 [28] HOLE WITH RUBBER BUSHING

MODEL # CIMR-PU	VOLTAGE THREE-PHASE (VAC)	OUTPUT CURRENT (A)	WEIGHT LBS (Kg)	HEAT LOSS (W) (Fc=2kHz)		
				INT	EXT	TOT
2A0138FXX	200/240	138	61.6 (28)	312	842	1154

NOTE:
XX DENOTES AA-ZZ

INT=INTERNAL COMPONENTS
EXT=EXTERNAL HEATSINK
TOT=TOTAL

FOR ADDITIONAL DETAILS AND SPECIFICATIONS, CONSULT MANUAL

TOLERANCES / REFERENCES:



THIS DOCUMENT AND INFORMATION CONTAINED IN IT ARE CONFIDENTIAL, AND CANNOT BE COPIED OR DISCLOSED IN WHOLE OR IN PART WITHOUT THE EXPRESS WRITTEN CONSENT OF YASKAWA AMERICA, INC.

DRAWN: J. MATTAS

CHECKED: J. PIOTROWSKI

TECH: J. BORJA

APPROVED: J. CAIRO

ORIGINAL DESIGN: -

DATE: 12-9-11

DATE: 1-5-12

DATE: 1-9-12

DATE: 1-10-12

DATE: -

TITLE:
P1000 DIMENSION DRAWING
FRAME SIZE 8A
NEMA TYPE 1 ENCLOSURE
2A0138

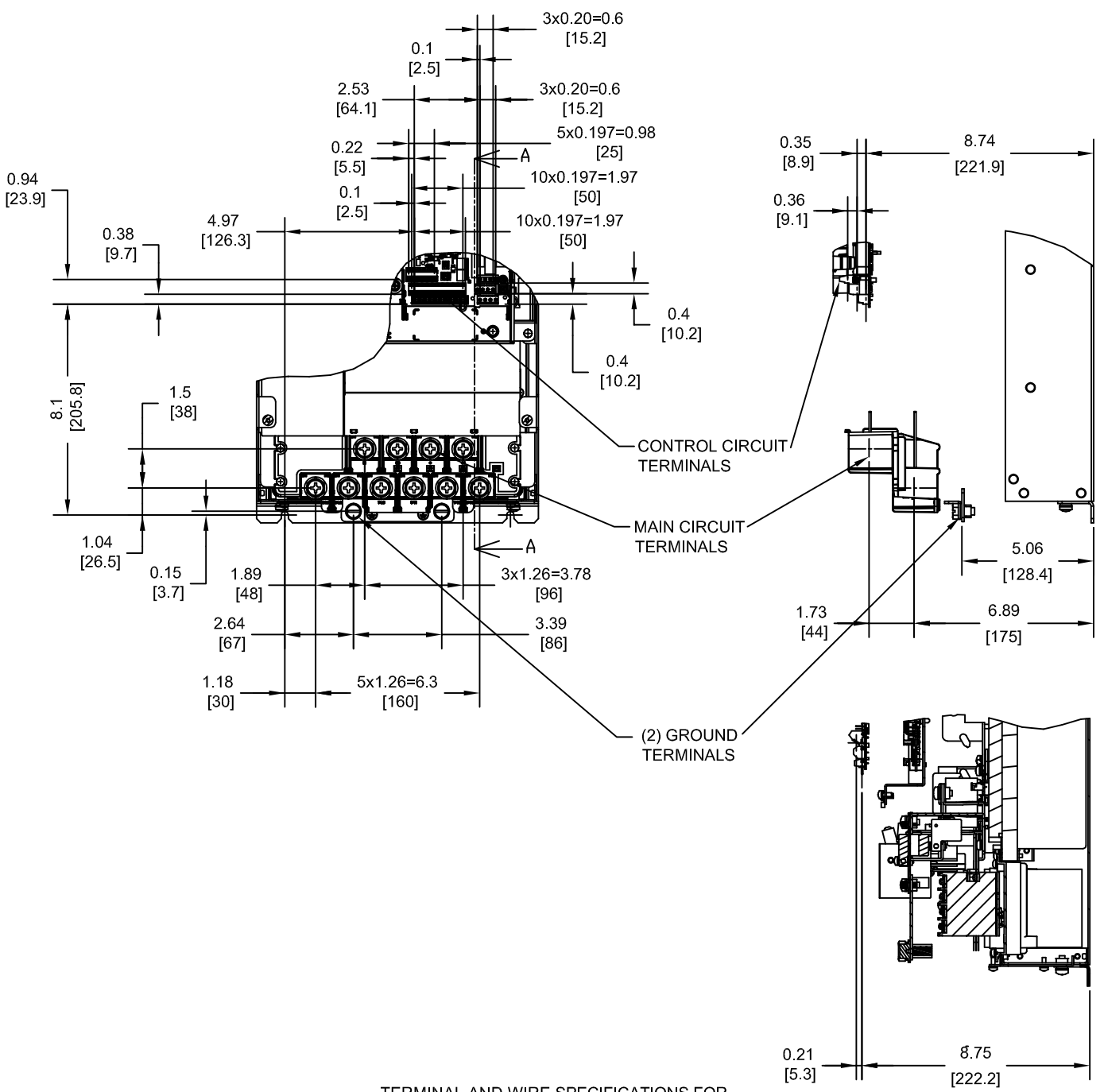
SIZE A	REVISION R00	PAGE 1 of 3
-----------	-----------------	----------------

DRAWING #:
DD.P1K.FR8A.N1

UNITS:
IN [mm]

SCALE:
1:8

TERMINAL AND WIRING DETAILS (SCALE 1:6)



TERMINAL AND WIRE SPECIFICATIONS FOR MAIN CIRCUIT AND GROUND

SECTION A-A

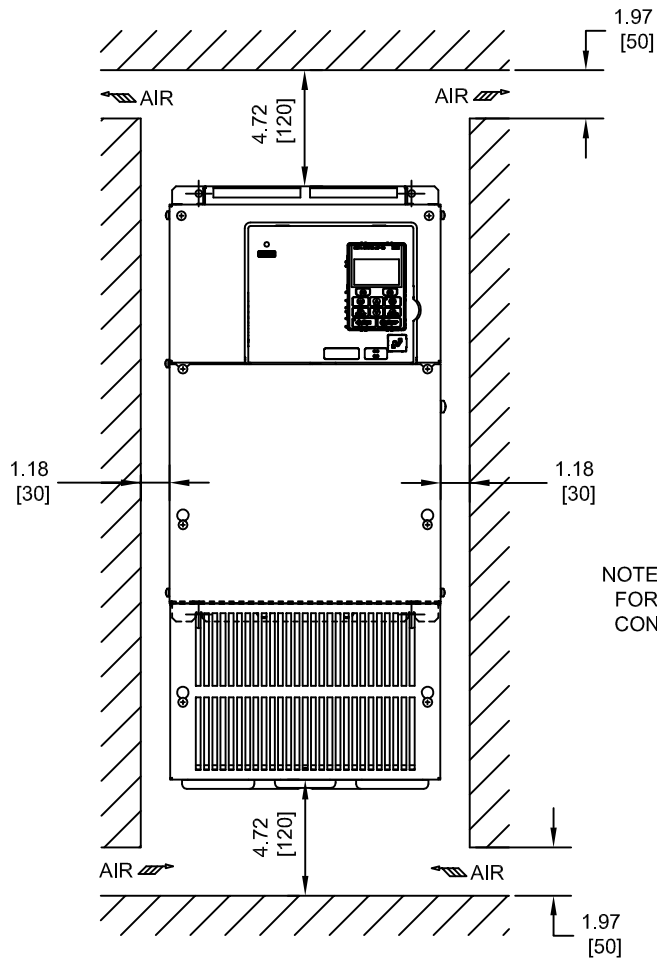
MODEL # CIMR-PU	TERMINAL SYMBOL	TERMINAL SCREW	CLAMPING TORQUE lb.in.(N.m.)	WIRE RANGE AWG(mm ²)
2A0138	R/L1, S/L2, T/L3	M10	159 TO 204 (18 TO 23)	10-3/0 (5.3-85.0)
	U/T1, V/T2, W/T3			
	⊖, ⊕1			
	B1, B2			
	⊕	M8	79.7 TO 97.4 (9 TO 11)	SEE NOTE

NOTE: REFER TO APPLICABLE CODES FOR PROPER WIRE TYPE AND SIZE

FOR ADDITIONAL DETAILS AND SPECIFICATIONS, CONSULT MANUAL

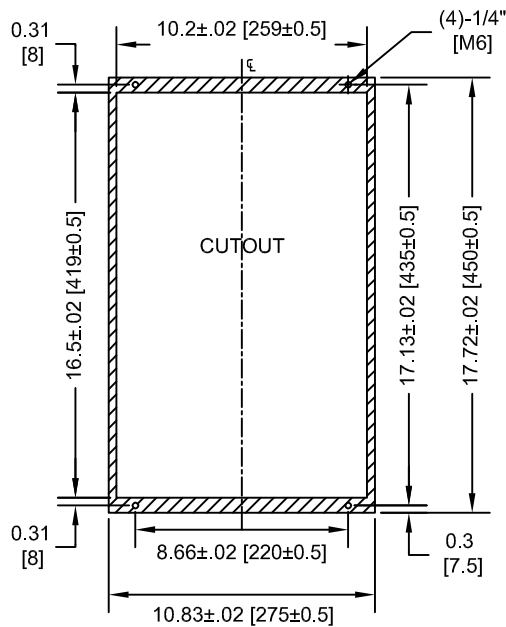
TOLERANCES / REFERENCES:			DRAWN: J. MATTAS	DATE 12-9-11	TITLE: P1000 DIMENSION DRAWING FRAME SIZE 8A NEMA TYPE 1 ENCLOSURE 2A0138	
UNITS: IN [mm]			SCALE: BY VIEW	CHECKED: J. PIOTROWSKI	DATE 1-5-12	SIZE A
THIS DOCUMENT AND INFORMATION CONTAINED IN IT ARE CONFIDENTIAL, AND CANNOT BE COPIED OR DISCLOSED IN WHOLE OR IN PART WITHOUT THE EXPRESS WRITTEN CONSENT OF YASKAWA AMERICA, INC.			TECH: J. BORJA	DATE 1-9-12	ORIGINAL DESIGN: -	PAGE 2 of 3
			APPROVED: J. CAIRO	DATE 1-10-12		DRAWING #: DD.P1K.FR8A.N1

MINIMUM INSTALLATION CLEARANCES (SCALE 1:8)



NOTE:
FOR SIDE-BY-SIDE MOUNTING
CONSULT MANUAL

PANEL CUTOUT FOR EXTERNAL HEATSINK
MOUNTING CONFIGURATION (SCALE 1:8)



NOTE:
EXPOSED HEATSINK DEPTH
D=3.94" MINUS PANEL THICKNESS

FOR ADDITIONAL DETAILS AND SPECIFICATIONS, CONSULT MANUAL

TOLERANCES / REFERENCES:			DRAWN: J. MATTAS DATE: 12-9-11	TITLE: P1000 DIMENSION DRAWING FRAME SIZE 8A NEMA TYPE 1 ENCLOSURE 2A0138
UNITS: IN [mm]	SCALE: BY VIEW		CHECKED: J. PIOTROWSKI DATE: 1-5-12	REVISION R00
THIS DOCUMENT AND INFORMATION CONTAINED IN IT ARE CONFIDENTIAL, AND CANNOT BE COPIED OR DISCLOSED IN WHOLE OR IN PART WITHOUT THE EXPRESS WRITTEN CONSENT OF YASKAWA AMERICA, INC.		TECH: J. BORJA DATE: 1-9-12	APPROVED: J. CAIRO DATE: 1-10-12	DRAWING #: DD.P1K.FR8A.N1
		ORIGINAL DESIGN: -	DATE: -	