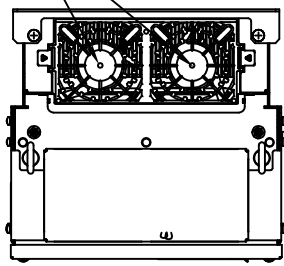
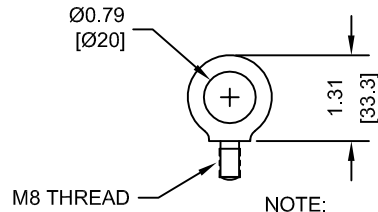


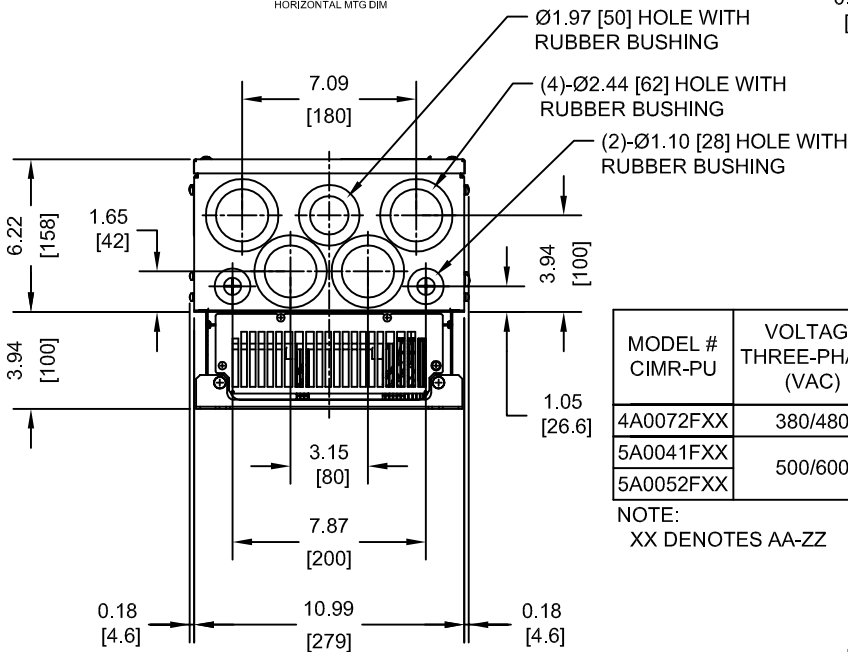
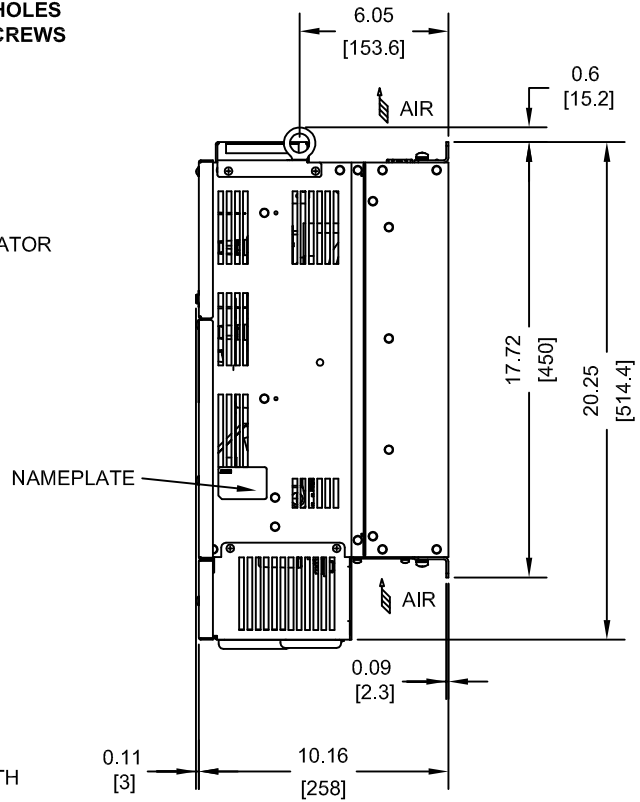
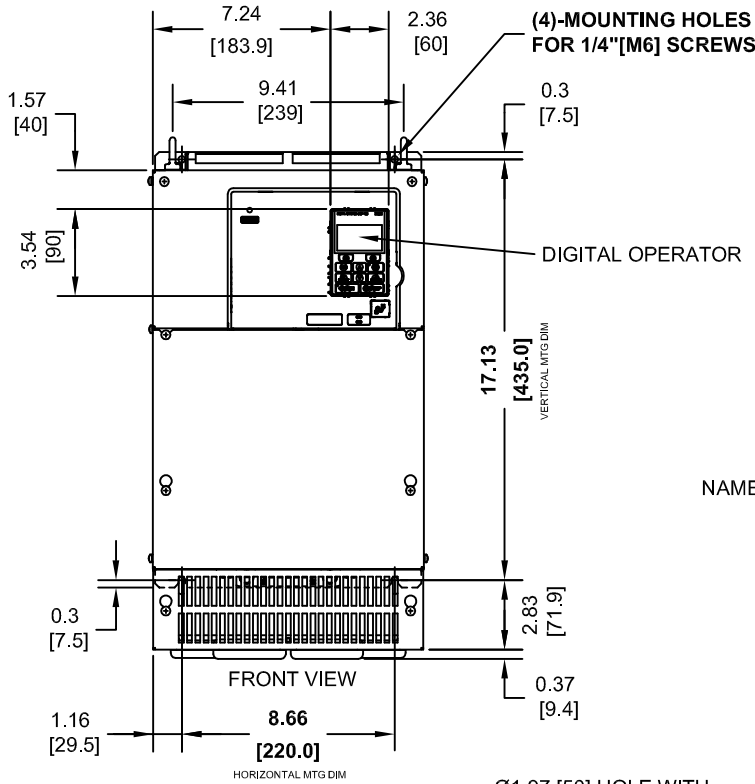
(2) EXTERNAL COOLING FANS



LIFTING AND EYEBOLT DETAILS



NOTE:
SPREADER BAR REQUIRED TO AVOID DAMAGE DURING LIFTING



MODEL # CIMR-PU	VOLTAGE THREE-PHASE (VAC)	OUTPUT CURRENT (A)	WEIGHT LBS (Kg)	HEAT LOSS (W) (Fc=2kHz)		
				INT	EXT	TOT
4A0072FXX	380/480	72	59.4 (27)	265	605	870
5A0041FXX	500/600	41	59.4 (27)	136	331	467
5A0052FXX		52	59.4 (27)	166	428	594

NOTE:
XX DENOTES AA-ZZ

INT=INTERNAL COMPONENTS
EXT=EXTERNAL HEATSINK
TOT=TOTAL

FOR ADDITIONAL DETAILS AND SPECIFICATIONS, CONSULT MANUAL

TOLERANCES / REFERENCES:



THIS DOCUMENT AND INFORMATION CONTAINED IN IT ARE CONFIDENTIAL, AND CANNOT BE COPIED OR DISCLOSED IN WHOLE OR IN PART WITHOUT THE EXPRESS WRITTEN CONSENT OF YASKAWA AMERICA, INC.

DRAWN: J. MATTAS

DATE: 12-9-11

CHECKED: J. PIOTROWSKI

DATE: 1-5-12

TECH: J. BORJA

DATE: 1-9-12

APPROVED: J. CAIRO

DATE: 1-10-12

ORIGINAL DESIGN:

DATE:

TITLE:
P1000 DIMENSION DRAWING
FRAME SIZE 8B
NEMA TYPE 1 ENCLOSURE
4A0072, 5A0041 & 5A0052

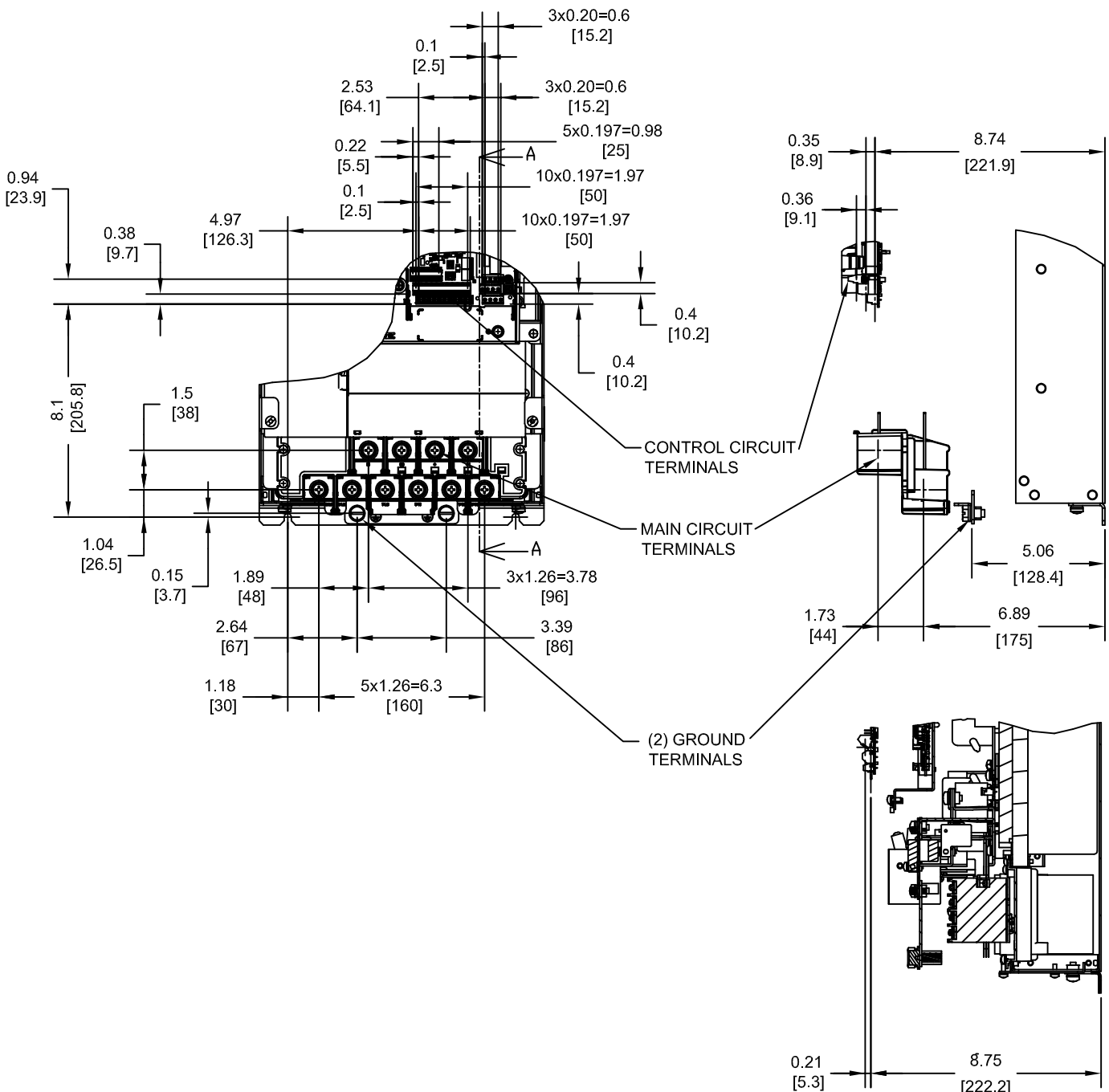
SIZE A	REVISION R00	PAGE 1 of 3
-----------	-----------------	----------------

DRAWING #:
DD.P1K.FR8B.N1

UNITS:
IN [mm]

SCALE:
1:8

TERMINAL AND WIRING DETAILS (SCALE 1:6)



TERMINAL AND WIRE SPECIFICATIONS FOR MAIN CIRCUIT AND GROUND

SECTION A-A

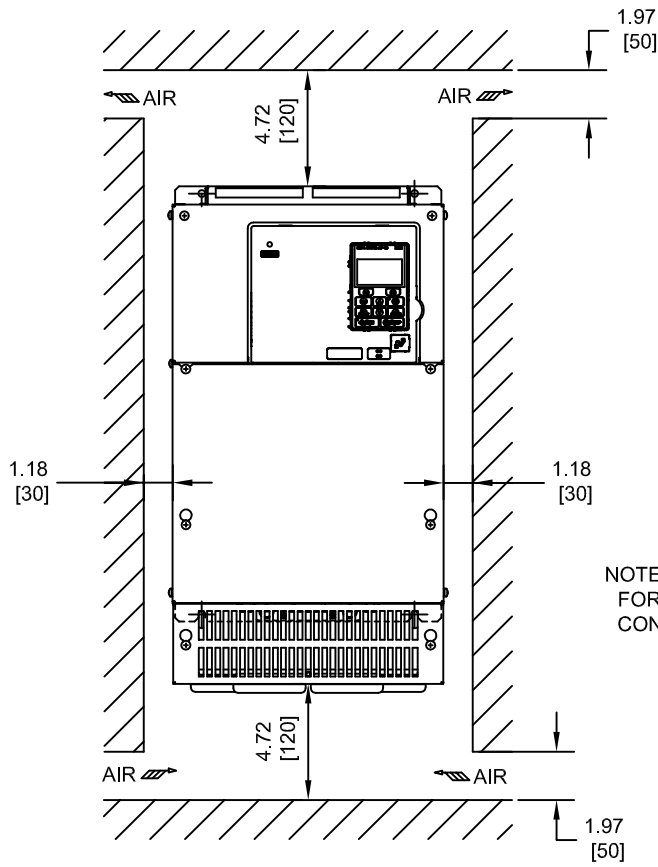
MODEL # CIMR-PU	TERMINAL SYMBOL	TERMINAL SCREW	CLAMPING TORQUE lb.in.(N.m.)	WIRE RANGE AWG(mm ²)
4A0072 5A0041 5A0052	R/L1, S/L2, T/L3	M8	79.7 TO 97.4 (9 TO 11)	10-3/0 (5.3-85.0)
	U/T1, V/T2, W/T3			
	⊖, ⊕1			
	B1, B2			
	⊕	M8	79.7 TO 97.4 (9 TO 11)	SEE NOTE

NOTE: REFER TO APPLICABLE CODES FOR PROPER WIRE TYPE AND SIZE

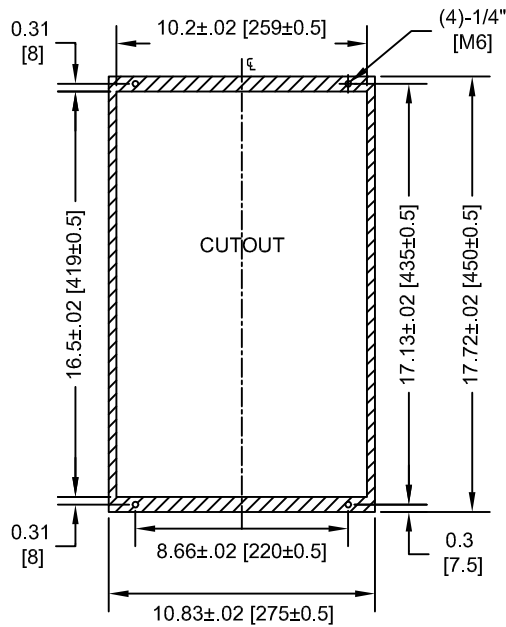
FOR ADDITIONAL DETAILS AND SPECIFICATIONS, CONSULT MANUAL

TOLERANCES / REFERENCES:			DRAWN: J. MATTAS DATE 12-9-11	TITLE: P1000 DIMENSION DRAWING FRAME SIZE 8B NEMA TYPE 1 ENCLOSURE 4A0072, 5A0041 & 5A0052	
UNITS: IN [mm]			CHECKED: J. PIOTROWSKI DATE 1-5-12	TECH: J. BORJA DATE 1-9-12	SIZE A
SCALE: BY VIEW		THIS DOCUMENT AND INFORMATION CONTAINED IN IT ARE CONFIDENTIAL, AND CANNOT BE COPIED OR DISCLOSED IN WHOLE OR IN PART WITHOUT THE EXPRESS WRITTEN CONSENT OF YASKAWA AMERICA, INC.	APPROVED: J. CAIRO DATE 1-10-12	ORIGINAL DESIGN: -	PAGE 2 of 3
			DRAWING #: DD.P1K.FR8B.N1		

MINIMUM INSTALLATION CLEARANCES (SCALE 1:8)



PANEL CUTOUT FOR EXTERNAL HEATSINK MOUNTING CONFIGURATION (SCALE 1:8)



NOTE:
EXPOSED HEATSINK DEPTH
D=3.94" MINUS PANEL THICKNESS

FOR ADDITIONAL DETAILS AND SPECIFICATIONS, CONSULT MANUAL

TOLERANCES / REFERENCES:		<p>YASKAWA</p> <p>THIS DOCUMENT AND INFORMATION CONTAINED IN IT ARE CONFIDENTIAL, AND CANNOT BE COPIED OR DISCLOSED IN WHOLE OR IN PART WITHOUT THE EXPRESS WRITTEN CONSENT OF YASKAWA AMERICA, INC.</p>	DRAWN: J. MATTAS CHECKED: J. PIOTROWSKI TECH: J. BORJA APPROVED: J. CAIRO ORIGINAL DESIGN: -	DATE 12-9-11 DATE 1-5-12 DATE 1-9-12 DATE 1-10-12 DATE -	TITLE: P1000 DIMENSION DRAWING FRAME SIZE 8B NEMA TYPE 1 ENCLOSURE 4A0072, 5A0041 & 5A0052
UNITS: IN [mm]	SCALE: BY VIEW		SIZE A	REVISION R00	PAGE 3 of 3
			DRAWING #: DD.P1K.FR8B.N1		