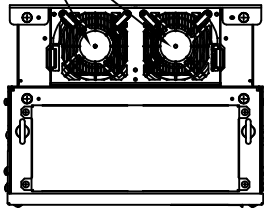
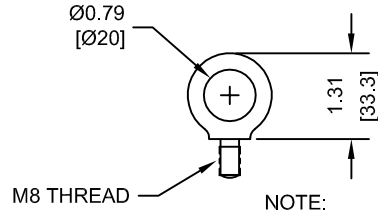


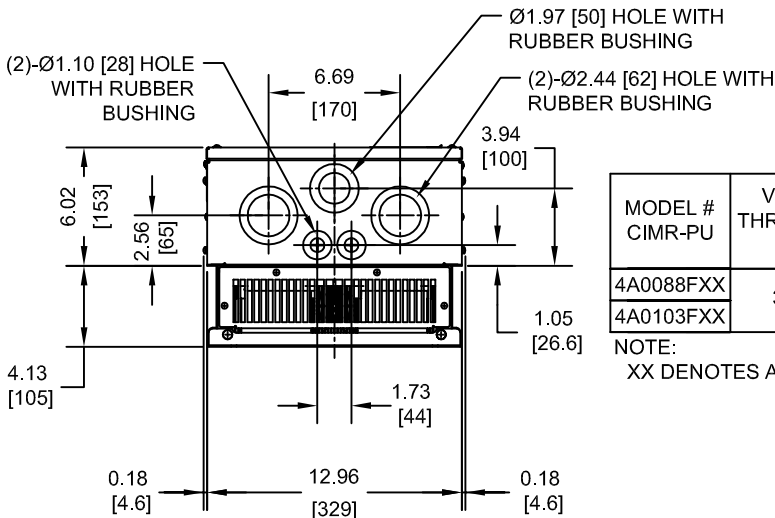
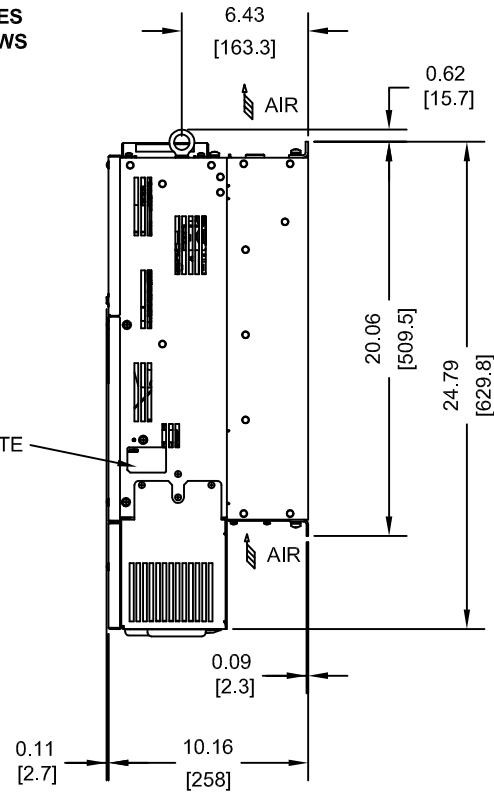
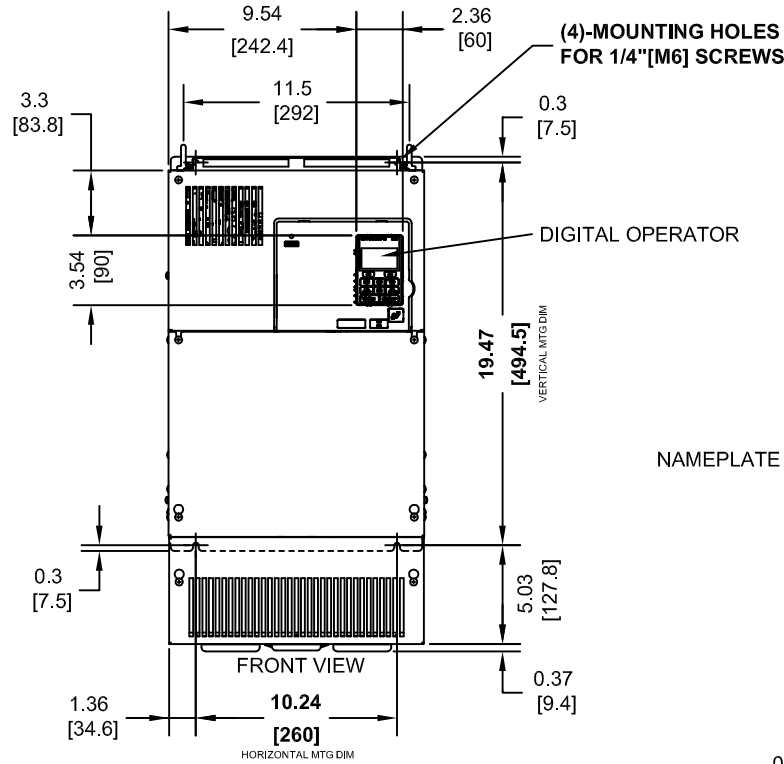
(2) EXTERNAL COOLING FANS



LIFTING AND EYEBOLT DETAILS



NOTE:
SPREADER BAR REQUIRED TO AVOID DAMAGE DURING LIFTING



MODEL # CIMR-PU	VOLTAGE THREE-PHASE (VAC)	OUTPUT CURRENT (A)	WEIGHT LBS (Kg)	HEAT LOSS (W) (Fc=2kHz)		
				INT	EXT	TOT
4A0088FXX	380/480	88	85.8 (39)	308	684	992
4A0103FXX		103	85.8 (39)	357	848	1205

NOTE:
XX DENOTES AA-ZZ

INT=INTERNAL COMPONENTS
EXT=EXTERNAL HEATSINK
TOT=TOTAL

FOR ADDITIONAL DETAILS AND SPECIFICATIONS, CONSULT MANUAL

TOLERANCES / REFERENCES:



THIS DOCUMENT AND INFORMATION CONTAINED
IN IT ARE CONFIDENTIAL, AND CANNOT BE
COPIED OR DISCLOSED IN WHOLE OR IN PART
WITHOUT THE EXPRESS WRITTEN CONSENT
OF YASKAWA AMERICA, INC.

DRAWN:
J. MATTAS

DATE
12-9-11

CHECKED:
J. PIOTROWSKI

DATE
1-5-12

TECH:
J. BORJA

DATE
1-9-12

APPROVED:
J. CAIRO

DATE
1-10-12

ORIGINAL DESIGN:
-

DATE
-

TITLE:
P1000 DIMENSION DRAWING
FRAME SIZE 9
NEMA TYPE 1 ENCLOSURE
4A0088 & 4A0103

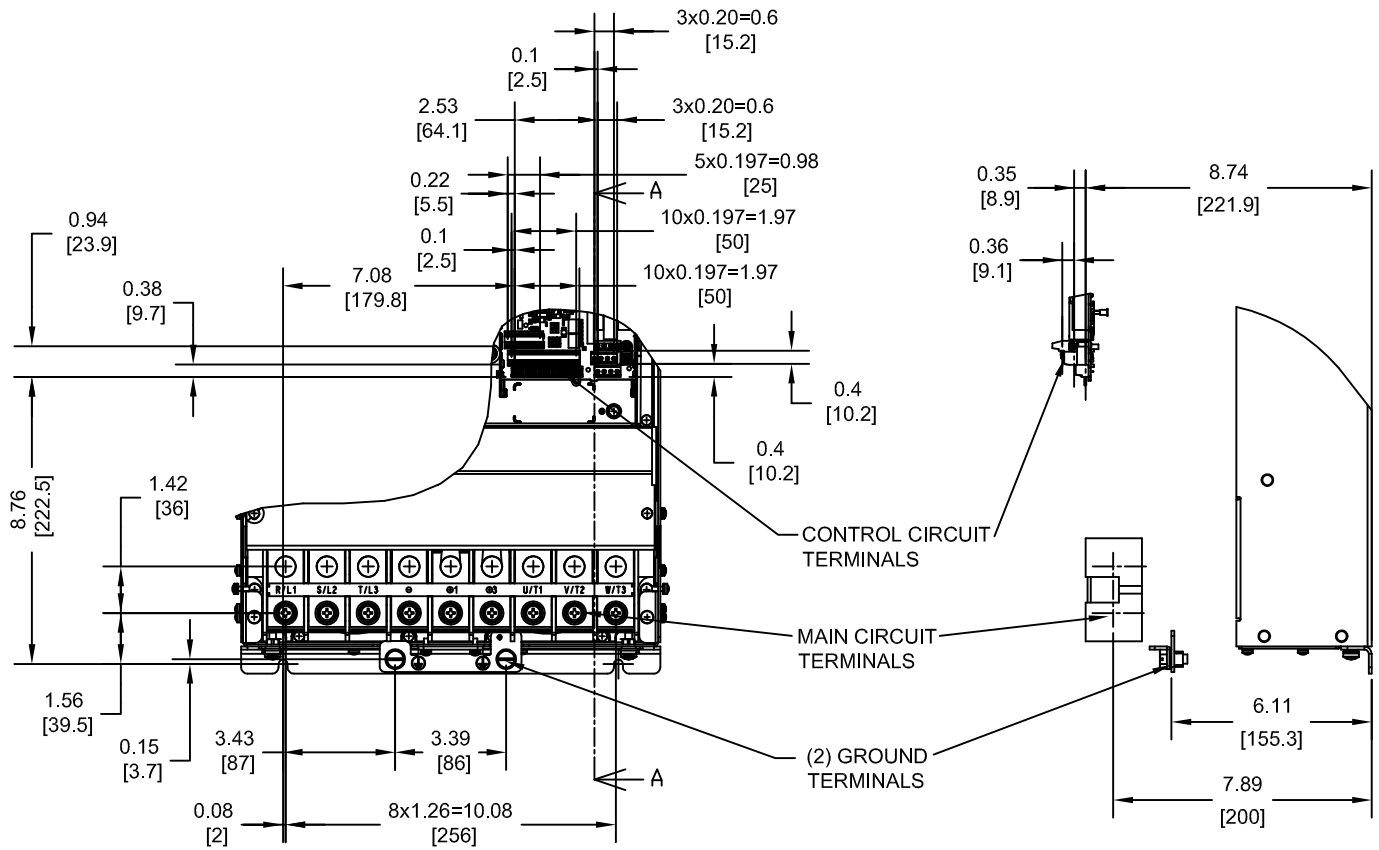
SIZE A	REVISION R00	PAGE 1 of 3
-----------	-----------------	----------------

DRAWING #:
DD.P1K.FR9.N1

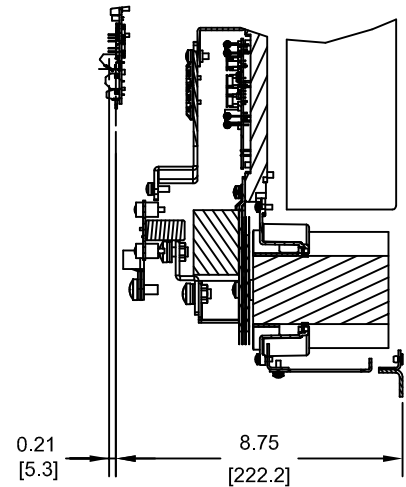
UNITS:
IN [mm]

SCALE:
1:10

TERMINAL AND WIRING DETAILS (SCALE 1:6)



TERMINAL AND WIRE SPECIFICATIONS FOR MAIN CIRCUIT AND GROUND



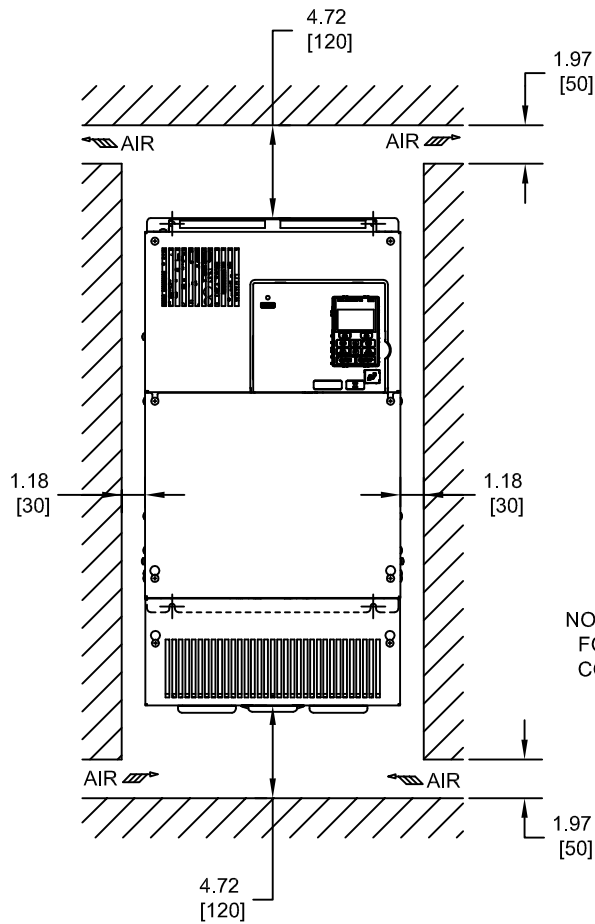
MODEL # CIMR-PU	TERMINAL SYMBOL	TERMINAL SCREW	CLAMPING TORQUE lb.in.(N.m.)	WIRE RANGE AWG(mm ²)
4A0088 4A0103	R/L1, S/L2, T/L3	M8	79.7 TO 97.4 (9 TO 11)	6-250kcmil (13.3-127)
	U/T1, V/T2, W/T3			
	⊖, ⊕1, ⊕3			
	B1, B2	M8	79.7 TO 97.4 (9 TO 11)	SEE NOTE
⊕				

NOTE: REFER TO APPLICABLE CODES FOR PROPER WIRE TYPE AND SIZE

FOR ADDITIONAL DETAILS AND SPECIFICATIONS, CONSULT MANUAL

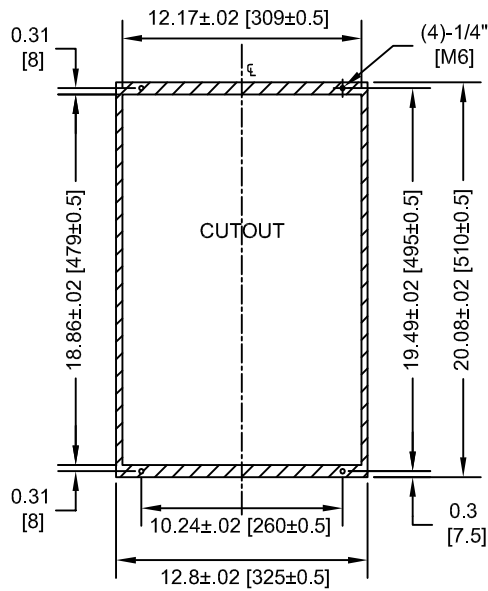
TOLERANCES / REFERENCES:			DRAWN: J. MATTAS DATE: 12-9-11	DATE: 12-9-11	TITLE: P1000 DIMENSION DRAWING FRAME SIZE 9 NEMA TYPE 1 ENCLOSURE 4A0088 & 4A0103
UNITS: IN [mm] SCALE: BY VIEW			CHECKED: J. PIOTROWSKI DATE: 1-5-12	DATE: 1-5-12	
THIS DOCUMENT AND INFORMATION CONTAINED IN IT ARE CONFIDENTIAL, AND CANNOT BE COPIED OR DISCLOSED IN WHOLE OR IN PART WITHOUT THE EXPRESS WRITTEN CONSENT OF YASKAWA AMERICA, INC.		TECH: J. BORJA DATE: 1-9-12	DATE: 1-9-12	SIZE: A	REVISION: R00
		APPROVED: J. CAIRO DATE: 1-10-12	DATE: 1-10-12	PAGE: 2 of 3	DRAWING #: DD.P1K.FR9.N1

MINIMUM INSTALLATION CLEARANCES (SCALE 1:10)



NOTE:
FOR SIDE-BY-SIDE MOUNTING
CONSULT MANUAL

PANEL CUTOUT FOR EXTERNAL HEATSINK
MOUNTING CONFIGURATION (SCALE 1:10)



NOTE:
EXPOSED HEATSINK DEPTH
D=4.13" MINUS PANEL THICKNESS

FOR ADDITIONAL DETAILS AND SPECIFICATIONS, CONSULT MANUAL

TOLERANCES / REFERENCES:		<p>YASKAWA</p> <p>THIS DOCUMENT AND INFORMATION CONTAINED IN IT ARE CONFIDENTIAL, AND CANNOT BE COPIED OR DISCLOSED IN WHOLE OR IN PART WITHOUT THE EXPRESS WRITTEN CONSENT OF YASKAWA AMERICA, INC.</p>	DRAWN: J. MATTAS CHECKED: J. PIOTROWSKI TECH: J. BORJA APPROVED: J. CAIRO ORIGINAL DESIGN: -	DATE 12-9-11 DATE 1-5-12 DATE 1-9-12 DATE 1-10-12 DATE -	TITLE: P1000 DIMENSION DRAWING FRAME SIZE 9 NEMA TYPE 1 ENCLOSURE 4A0088 & 4A0103
UNITS: IN [mm]	SCALE: BY VIEW		SIZE A	REVISION R00	PAGE 3 of 3
			DRAWING #: DD.P1K.FR9.N1		