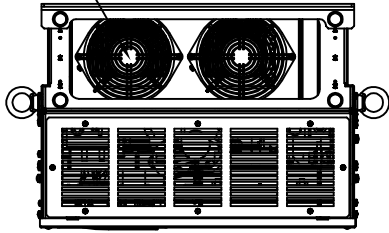
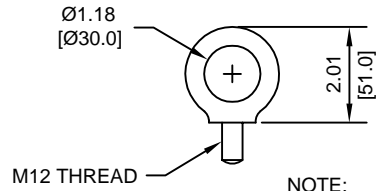


(2) EXTERNAL COOLING FANS

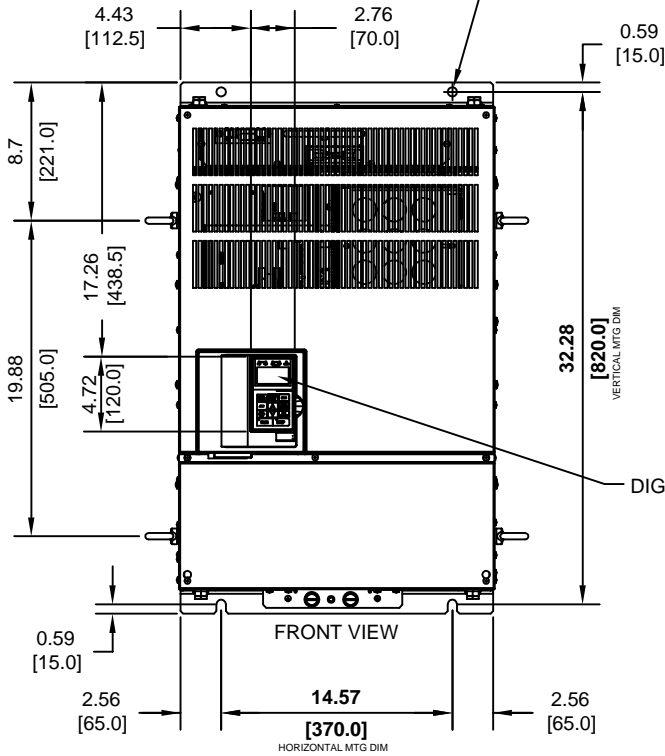


LIFTING AND EYEBOLT DETAILS



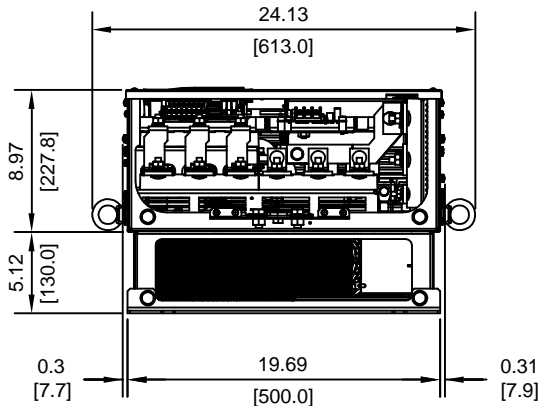
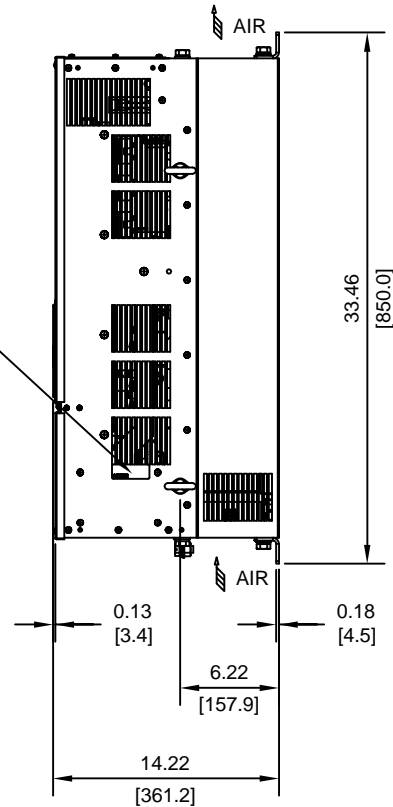
NOTE:
SPREADER BAR REQUIRED TO AVOID DAMAGE DURING LIFTING

(4)-MOUNTING HOLES FOR 1/2"[M12] SCREWS



NAMEPLATE

DIGITAL OPERATOR



| MODEL # | VOLTAGE (VAC) | OUTPUT CURRENT (A) | WEIGHT LBS (Kg) | HEAT LOSS (W) | | |
|---------|---------------|--------------------|-----------------|---------------|------|------|
| | | | | CIMR-P7U | INT | EXT |
| 2090 | 208/230 | 360 | 238 (108) | 964 | 2194 | 3158 |
| 4110 | 480 | 240 | 224 (102) | 847 | 1889 | 2736 |
| 4132 | | 260 | 264 (120) | 1005 | 2388 | 3393 |

INT=INTERNAL COMPONENTS
EXT=EXTERNAL HEATSINK

FOR ADDITIONAL DETAILS AND SPECIFICATIONS, CONSULT MANUAL

TOLERANCES/REFERENCES:



YASKAWA ELECTRIC AMERICA, INC.
Corporate Headquarters
2121 Norman Drive South
Waukegan, IL 60085
1-800-YASKAWA
http://www.yaskawa.com

DRAWN: J. MATTAS
CHECKED: M. RUCINSKI
TECH: J. CAIRO
APPROVED: T. SASADA
ORIGINAL DESIGN: -

DATE: 5-2-05
DATE: 6-5-05
DATE: 5-4-05
DATE: 6-8-05
DATE: -

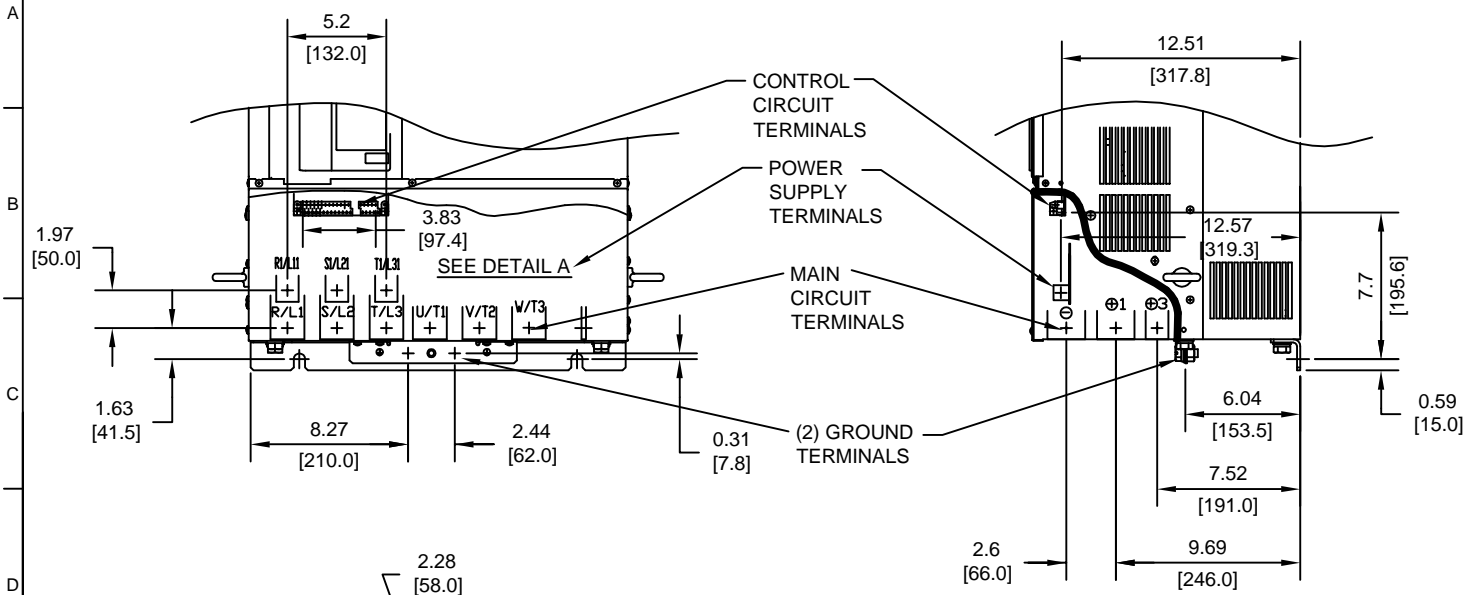
TITLE: P7 DIMENSION DRAWING
FRAME SIZE 11
IP00 ENCLOSURE
P7U2090, 4110 TO 4132

| SIZE | REVISION | PAGE |
|------|----------|--------|
| A | R00 | 1 of 3 |

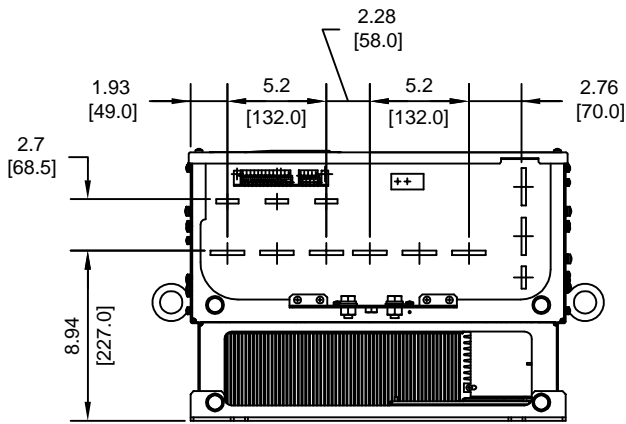
DRAWING #: DD.P7.FR11.IP00.01

UNITS: IN[mm]
SCALE: 1:12

TERMINAL AND WIRING DETAILS (SCALE 1:10)

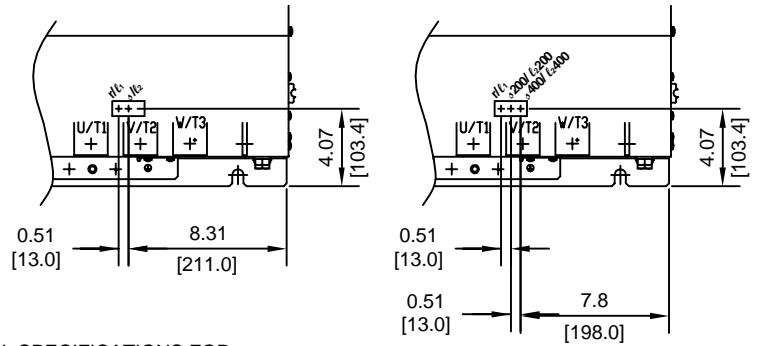


DETAIL A (SCALE 1:10)



MODEL P7U2090

MODELS P7U4110 AND P7U4132



TERMINAL SPECIFICATIONS FOR MAIN CIRCUIT AND GROUND

| MODEL # CIMR-P7U | TERMINAL SYMBOL | TERMINAL SCREW | CLAMPING TORQUE lb.in.(N.m.) |
|---------------------|--|----------------|---------------------------------|
| 2090 | R/L1, S/L2, T/L3, ⊙ ⊕1 ⊕, U/T1, V/T2, W/T3, R1/L11, S1/L21, T1/L31 | M12 | 276 TO 345 (31.4 TO 39.2) |
| | ⊕3 | M8 | 78.0 TO 95.0 (8.8 TO 10.8) |
| | rℓ1, sℓ2 | M4 | 11.4 TO 12.3 (1.3 TO 1.4) |
| 4110 | R/L1, S/L2, T/L3, ⊙ ⊕1, U/T1, V/T2, W/T3, R1/L11, S1/L21, T1/L31 | M10 | 155 TO 198 (17.6 TO 22.5) |
| | ⊕3 | M8 | 78.0 TO 95.0 (8.8 TO 10.8) |
| | ⊕ | M12 | 276 TO 345 (31.4 TO 39.2) |
| | rℓ1, s200/ℓ2200, s400/ℓ2400 | M4 | 11.4 TO 12.3 (1.3 TO 1.4) |
| 4132 | R/L1, S/L2, T/L3, ⊙ ⊕1, U/T1, V/T2, W/T3, R1/L11, S1/L21, T1/L31 | M10 | 155 TO 198 (17.6 TO 22.5) |
| | ⊕3 | M8 | 78.0 TO 95.0 (8.8 TO 10.8) |
| | ⊕ | M12 | 276 TO 345 (31.4 TO 39.2) |
| | rℓ1, s200/ℓ2200, s400/ℓ2400 | M4 | 11.4 TO 12.3 (1.3 TO 1.4) |

NOTE: REFER TO APPLICABLE CODES FOR PROPER WIRE TYPE AND SIZE

FOR ADDITIONAL DETAILS AND SPECIFICATIONS, CONSULT MANUAL

| | | | | | | |
|--|---|-------------------------|----------------|----------------------------------|-----------------|----------------|
| TOLERANCES/REFERENCES: - - - - | <p>YASKAWA A World of Automation Solutions™</p> <p>YASKAWA ELECTRIC AMERICA, INC. Corporate Headquarters 2121 Norman Drive South Waukegan, IL 60085 1-800-YASKAWA http://www.yaskawa.com</p> | DRAWN: J. MATTAS | DATE 5-2-05 | TITLE: P7 DIMENSION DRAWING | | |
| | | CHECKED: M. RUCINSKI | DATE 6-5-05 | FRAME SIZE 11 | | |
| | | TECH: J. CAIRO | DATE 5-4-05 | IP00 ENCLOSURE | | |
| | | APPROVED: T. SASADA | DATE 6-8-05 | P7U2090, 4110 TO 4132 | | |
| UNITS: IN[mm] | SCALE: BY VIEW | ORIGINAL DESIGN: - | DATE - | DRAWING #: DD.P7.FR11.IP00.01 | | |
| | | | | SIZE A | REVISION R00 | PAGE 2 of 3 |

