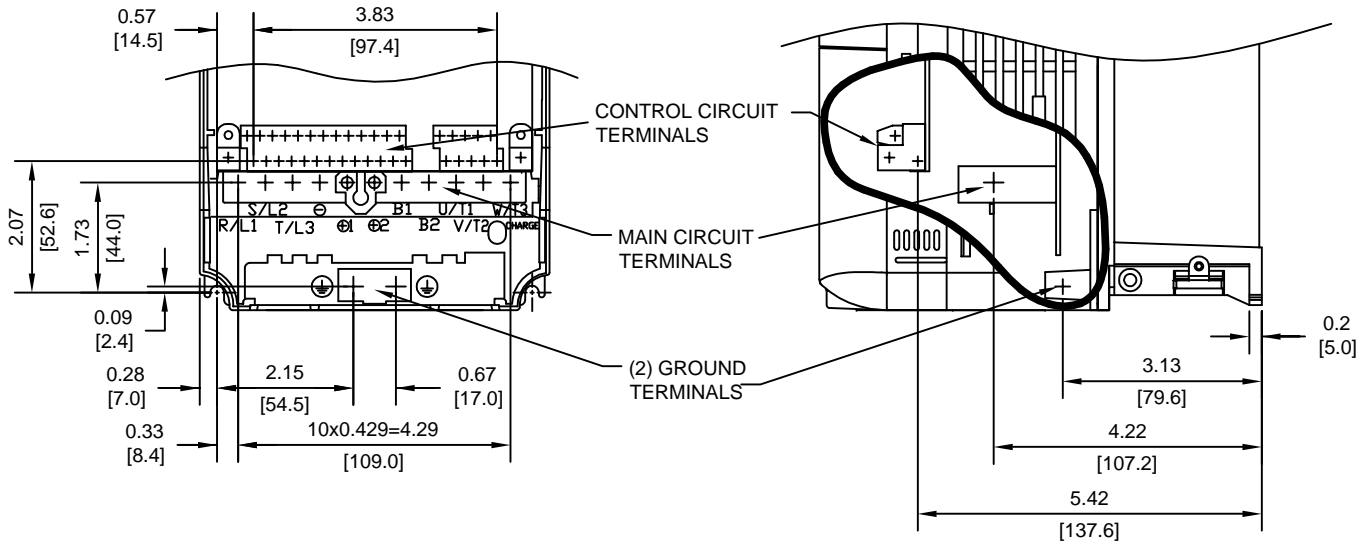


TERMINAL AND WIRING DETAILS (SCALE 1:3)



TERMINAL AND WIRE SPECIFICATIONS FOR MAIN CIRCUIT AND GROUND

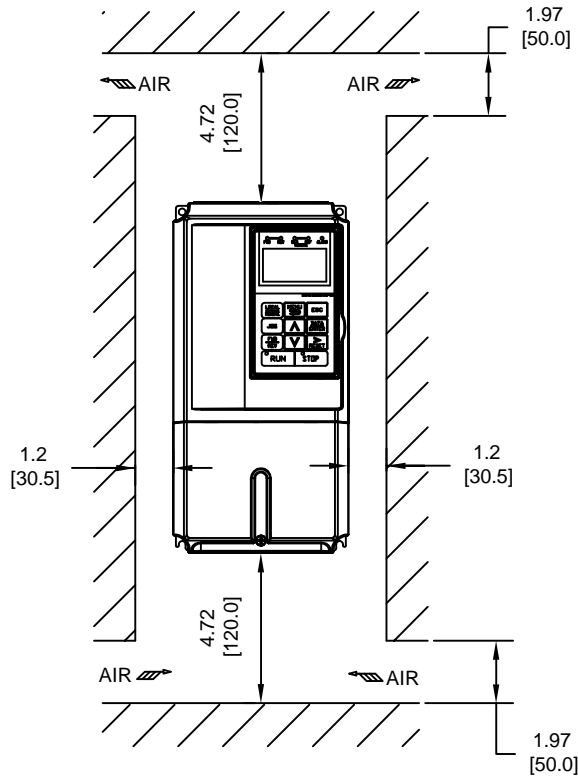
MODEL # CIMR-P7U	TERMINAL SYMBOL	TERMINAL SCREW	CLAMPING TORQUE lb.in.(N.m.)	WIRE RANGE AWG(mm ²)
23P7	R/L1, S/L2, T/L3, ⊙, ⊕1, ⊕2, B1, B2, U/T1, V/T2, W/T3, ⊕	M4	10.6 TO 13.2 (1.2 TO 1.5)	18-10 (0.82-5.5)
25P5	R/L1, S/L2, T/L3, ⊙, ⊕1, ⊕2, B1, B2, U/T1, V/T2, W/T3, ⊕	M4	10.6 TO 13.2 (1.2 TO 1.5)	18-10 (0.82-5.5)
42P2	R/L1, S/L2, T/L3, ⊙, ⊕1, ⊕2, B1, B2, U/T1, V/T2, W/T3, ⊕	M4	10.6 TO 13.2 (1.2 TO 1.5)	18-10 (0.82-5.5)
43P7	R/L1, S/L2, T/L3, ⊙, ⊕1, ⊕2, B1, B2, U/T1, V/T2, W/T3, ⊕	M4	10.6 TO 13.2 (1.2 TO 1.5)	18-10 (0.82-5.5)
44P0	R/L1, S/L2, T/L3, ⊙, ⊕1, ⊕2, B1, B2, U/T1, V/T2, W/T3, ⊕	M4	10.6 TO 13.2 (1.2 TO 1.5)	18-10 (0.82-5.5)
45P5	R/L1, S/L2, T/L3, ⊙, ⊕1, ⊕2, B1, B2, U/T1, V/T2, W/T3, ⊕	M4	10.6 TO 13.2 (1.2 TO 1.5)	18-10 (0.82-5.5)

NOTE: REFER TO APPLICABLE CODES FOR PROPER WIRE TYPE AND SIZE

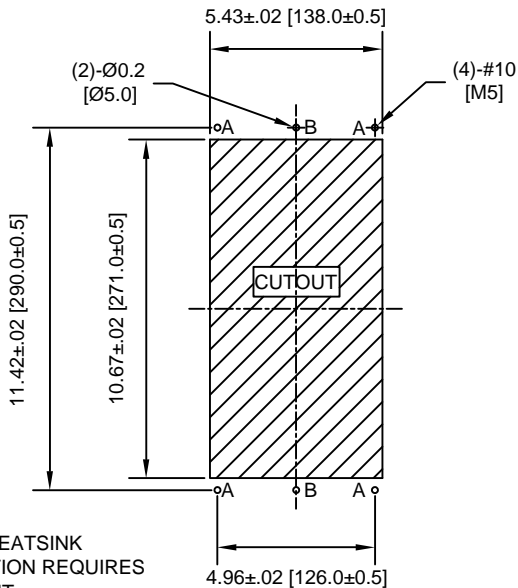
FOR ADDITIONAL DETAILS AND SPECIFICATIONS, CONSULT MANUAL

TOLERANCES/REFERENCES: - - - - - -	<p>YASKAWA A World of Automation Solutions™</p> <p>YASKAWA ELECTRIC AMERICA, INC. Corporate Headquarters 2121 Norman Drive South Waukegan, IL 60085 1-800-YASKAWA http://www.yaskawa.com</p>	DRAWN: J. MATTAS DATE 4-4-05	TITLE: P7 DIMENSION DRAWING			
		CHECKED: M. RUCINSKI DATE 5-3-05	FRAME SIZE 2			
		TECH: J. CAIRO DATE 4-7-05	NEMA TYPE 1/IP20 AND IP00			
		APPROVED: T. SASADA DATE 6-8-05	P7U23P7 TO 25P5, 42P2 TO 45P5			
UNITS: IN[mm]	SCALE: BY VIEW	ORIGINAL DESIGN: -	DATE -	SIZE A	REVISION R00	PAGE 2 of 3
				DRAWING #: DD.P7.FR2.N1.01		

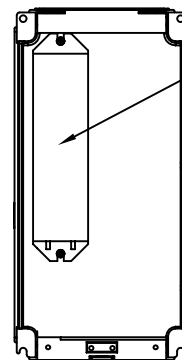
MINIMUM INSTALLATION CLEARANCES (SCALE 1:6)



PANEL CUTOUT FOR EXTERNAL HEATSINK MOUNTING CONFIGURATION (SCALE 1:6)



SIMPLIFIED REAR VIEW (SCALE 1:6)



OPTIONAL
DYNAMIC BRAKING RESISTOR
MOUNTING HARDWARE:
(2)-M4x10 SCREWS

NOTES:

- EXTERNAL HEATSINK CONFIGURATION REQUIRES MOUNTING KIT
- EXPOSED HEATSINK DEPTH $D=2.32"$ MINUS PANEL THICKNESS

FOR ADDITIONAL DETAILS AND SPECIFICATIONS, CONSULT MANUAL

TOLERANCES/REFERENCES:		<p>YASKAWA A World of Automation Solutions™</p> <p>YASKAWA ELECTRIC AMERICA, INC. Corporate Headquarters 2121 Norman Drive South Waukegan, IL 60085 1-800-YASKAWA http://www.yaskawa.com</p>	DRAWN: J. MATTAS DATE: 4-4-05	TITLE: P7 DIMENSION DRAWING FRAME SIZE 2 NEMA TYPE 1/IP20 AND IP00 P7U23P7 TO 25P5, 42P2 TO 45P5
UNITS: IN[mm]	SCALE: BY VIEW		CHECKED: M. RUCINSKI DATE: 5-3-05	REVISION A R00
		TECH: J. CAIRO DATE: 4-7-05	DATE: 6-8-05	PAGE 3 of 3
		APPROVED: T. SASADA	DATE: 6-8-05	DRAWING #: DD.P7.FR2.N1.01
		ORIGINAL DESIGN: -	DATE: -	