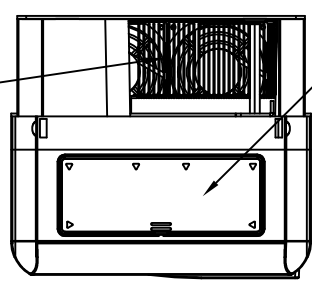
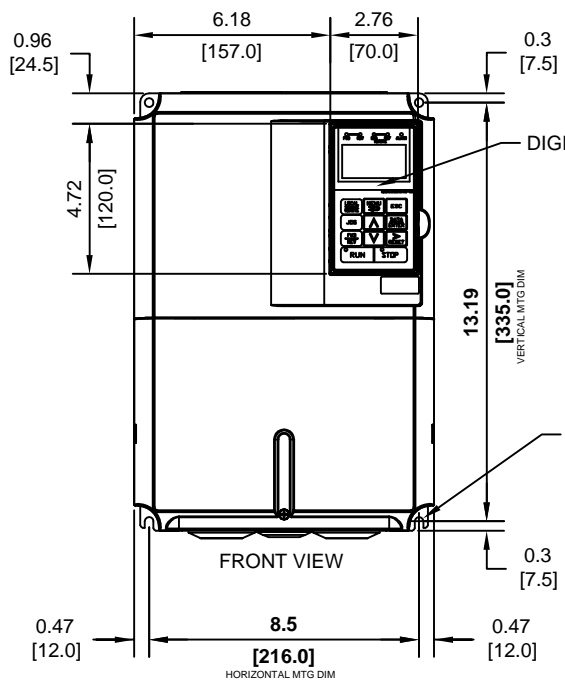


(2) EXTERNAL COOLING FANS



TOP PROTECTIVE COVER

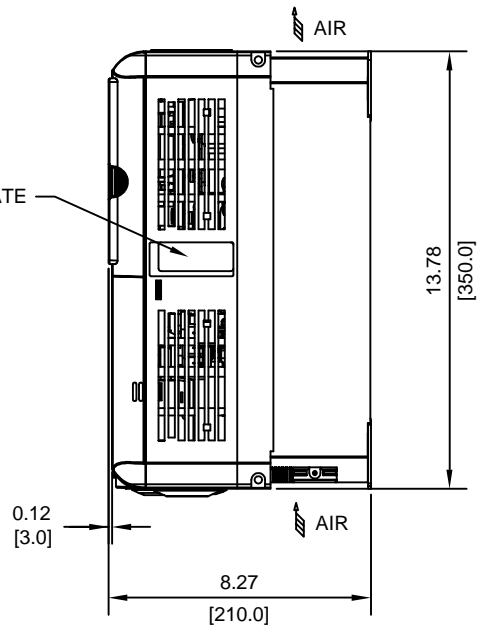
NOTE:  
 PROTECTIVE COVERS ARE FACTORY INSTALLED TO THE TOP AND BOTTOM OF THE DRIVE TO MEET IP20 & NEMA TYPE 1 REQUIREMENTS, RESULTING IN AN AMBIENT TEMPERATURE RATING OF 104F(40C). REMOVE THESE COVERS WHEN OPERATING THE DRIVE WITHIN A PANEL TO OBTAIN THE MAXIMUM SURROUNDING AIR TEMPERATURE RATING OF 113F(45C). REMOVING THESE COVERS RESULTS IN AN ENCLOSURE RATING OF IP00.



DIGITAL OPERATOR

NAMEPLATE

(4)-MOUNTING HOLES FOR 1/4" [M6] SCREWS

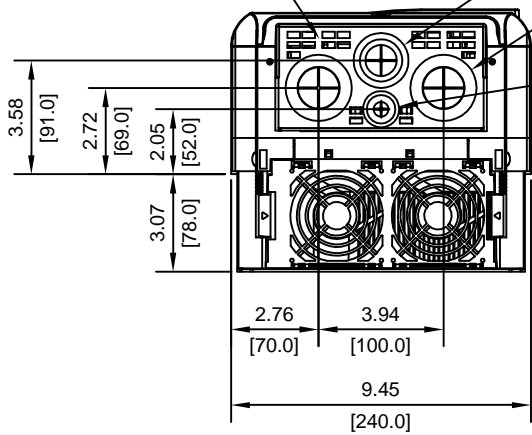


BOTTOM PROTECTIVE COVER

Ø1.38 [35] HOLE WITH RUBBER BUSHING

(2)-Ø1.73 [44] HOLE WITH RUBBER BUSHING

Ø0.87 [22] HOLE WITH RUBBER BUSHING



MODEL #	VOLTAGE (VAC)	OUTPUT CURRENT (A)	WEIGHT LBS (Kg)	HEAT LOSS (W)		
				INT	EXT	TOTAL
4015	480	34.0	22.0 (10.0)	169	296	465

INT=INTERNAL COMPONENTS  
 EXT=EXTERNAL HEATSINK

FOR ADDITIONAL DETAILS AND SPECIFICATIONS, CONSULT MANUAL

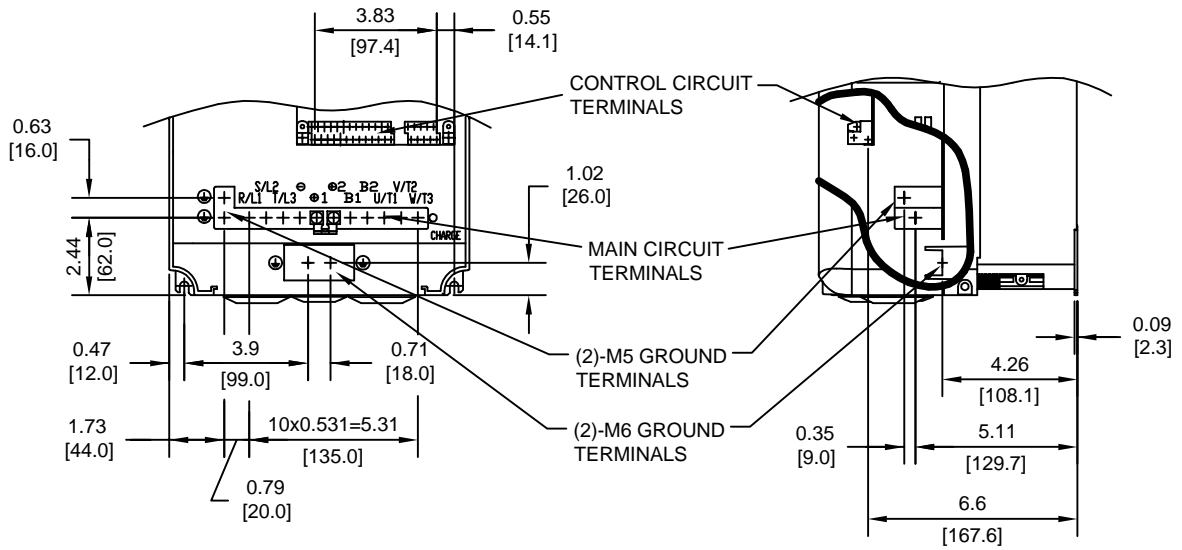
TOLERANCES/REFERENCES:  
 -  
 -  
 -  
 -  
 -  
 -  
 -  
 -  
 -  
 -  
 UNITS: IN[mm] SCALE: 1:6

**YASKAWA**  
 A World of Automation Solutions™

YASKAWA ELECTRIC AMERICA, INC.  
 Corporate Headquarters  
 2121 Norman Drive South  
 Waukegan, IL 60085  
 1-800-YASKAWA  
 http://www.yaskawa.com

DRAWN: J. MATTAS	DATE <b>4-6-05</b>	TITLE: P7 DIMENSION DRAWING	
CHECKED: M. RUCINSKI	DATE <b>5-3-05</b>	FRAME SIZE 4B	
TECH: J. CAIRO	DATE <b>4-7-05</b>	NEMA TYPE 1/IP20 AND IP00	
APPROVED: T. SASADA	DATE <b>6-8-05</b>	SIZE A	REVISION R00
ORIGINAL DESIGN: -	DATE -	PAGE 1 of 2	
DRAWING #: <b>DD.P7.FR4B.N1.01</b>			

TERMINAL AND WIRING DETAILS (SCALE 1:6)

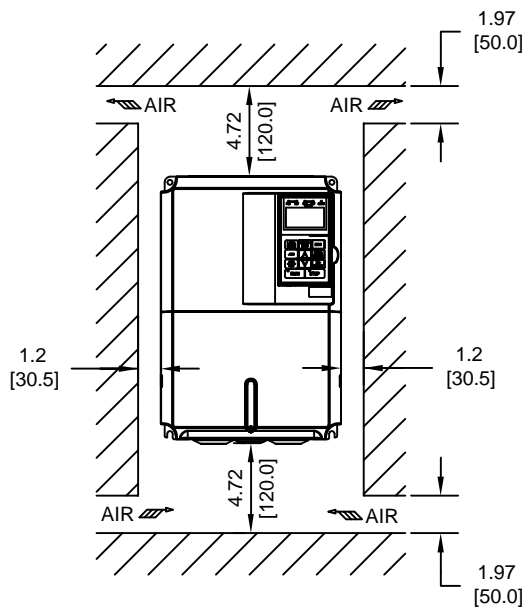


TERMINAL AND WIRE SPECIFICATIONS FOR MAIN CIRCUIT AND GROUND

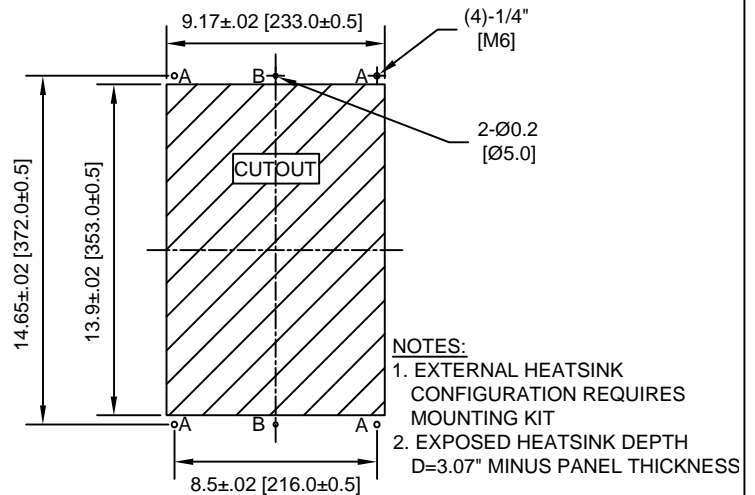
MODEL # CIMR-P7U	TERMINAL SYMBOL	TERMINAL SCREW	CLAMPING TORQUE lb.in.(N.m.)	WIRE RANGE AWG(mm <sup>2</sup> )
4015	R/L1, S/L2, T/L3, U, U1, U2, U3, V/T2, W/T3, B1, B2	M5	20.4 TO 22.0 (2.3 TO 2.5)	10-6 (5.5-14)
	⊖	M5	20.4 TO 22.0 (2.3 TO 2.5)	10-6 (5.5-14)
	⊖	M6	35.2 TO 44.0 (4.0 TO 5.0)	10-6 (5.5-14)

NOTE: REFER TO APPLICABLE CODES FOR PROPER WIRE TYPE AND SIZE

MINIMUM INSTALLATION CLEARANCES (SCALE 1:10)



PANEL CUTOUT FOR EXTERNAL HEATSINK MOUNTING CONFIGURATION (SCALE 1:8)



FOR ADDITIONAL DETAILS AND SPECIFICATIONS, CONSULT MANUAL

TOLERANCES/REFERENCES: -	<p><b>YASKAWA</b> A World of Automation Solutions™</p> <p>YASKAWA ELECTRIC AMERICA, INC. Corporate Headquarters 2121 Norman Drive South Waukegan, IL 60085 1-800-YASKAWA http://www.yaskawa.com</p>	DRAWN: J. MATTAS	DATE 4-6-05	TITLE: P7 DIMENSION DRAWING
		CHECKED: M. RUCINSKI	DATE 5-3-05	FRAME SIZE 4B
UNITS: IN[mm]	SCALE: BY VIEW	TECH: J. CAIRO	DATE 4-7-05	NEMA TYPE 1/IP20 AND IP00
		APPROVED: T. SASADA	DATE 6-8-05	P7U4015
		ORIGINAL DESIGN: -	DATE -	REVISION R00
				PAGE 2 of 2
				DRAWING #: <b>DD.P7.FR4B.N1.01</b>