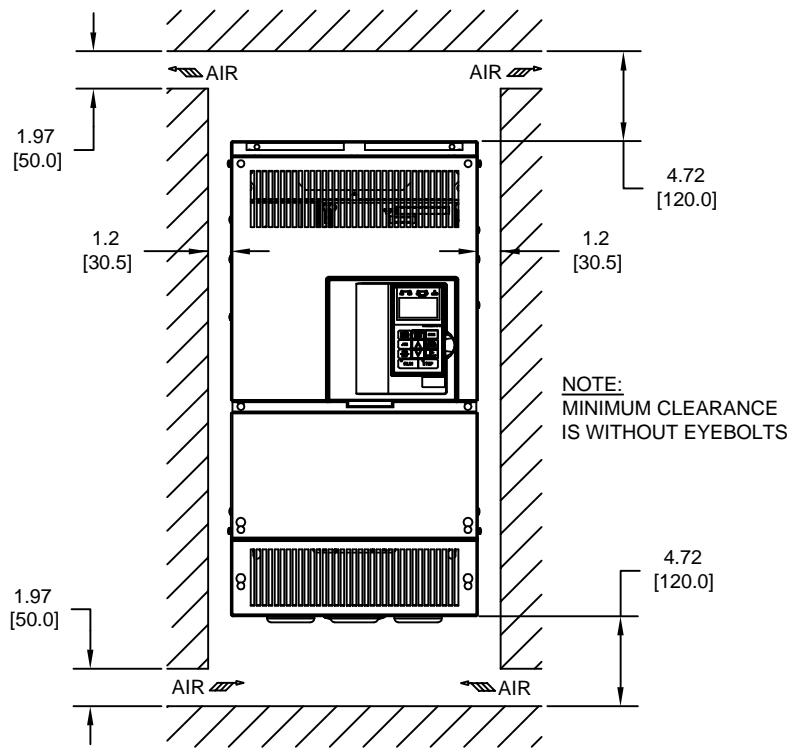


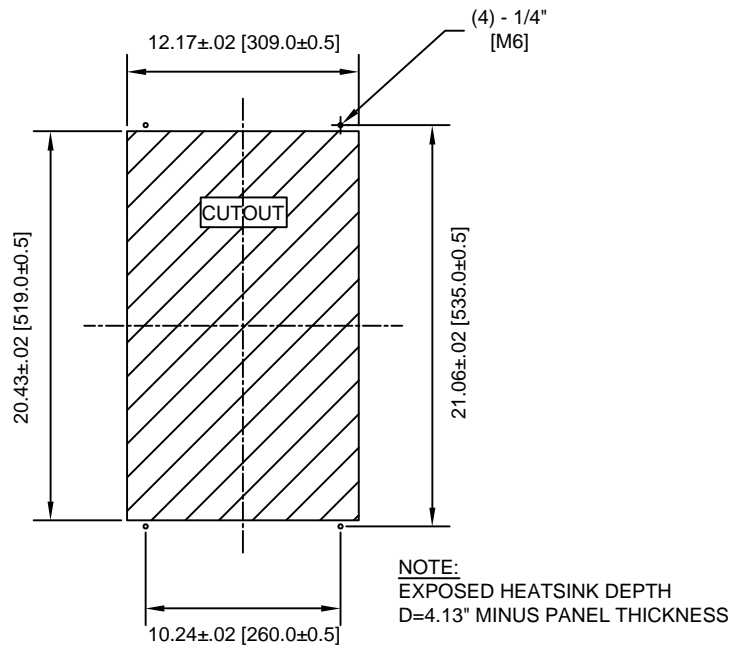





MINIMUM INSTALLATION CLEARANCES (SCALE 1:10)



PANEL CUTOUT FOR EXTERNAL HEATSINK MOUNTING CONFIGURATION (SCALE 1:10)



FOR ADDITIONAL DETAILS AND SPECIFICATIONS, CONSULT MANUAL

TOLERANCES/REFERENCES: - - - - - -	 <b>YASKAWA</b> <i>A World of Automation Solutions™</i> <b>YASKAWA ELECTRIC AMERICA, INC.</b> Corporate Headquarters 2121 Norman Drive South Waukegan, IL 60085 1-800-YASKAWA <a href="http://www.yaskawa.com">http://www.yaskawa.com</a>	DRAWN: J. MATTAS	DATE 4-27-05	TITLE: P7 DIMENSION DRAWING		
		CHECKED: M. RUCINSKI	DATE 6-6-05	FRAME SIZE 9A		
		TECH: J. CAIRO	DATE 4-28-05	NEMA TYPE 1/IP20 ENCLOSURE		
		APPROVED: T. SASADA	DATE 6-6-05	P7U4037		
UNITS: IN[mm]	SCALE: BY VIEW	ORIGINAL DESIGN: -	DATE -	SIZE A	REVISION R00	PAGE 3 of 3
		DRAWING #: <b>DD.P7.FR9A.N1.01</b>				