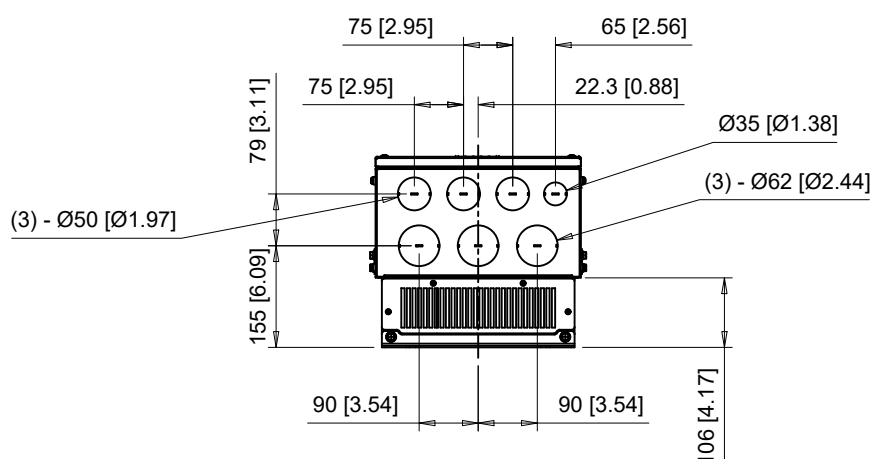


**Detail A**  
Top mounting hole dimensions  
Scale 1:1



The dimensions shown are for an IP00 Type Converter that has been converted to a NEMA Type 1 Converter by adding the parts from NEMA 1 Kit part number UUX001703

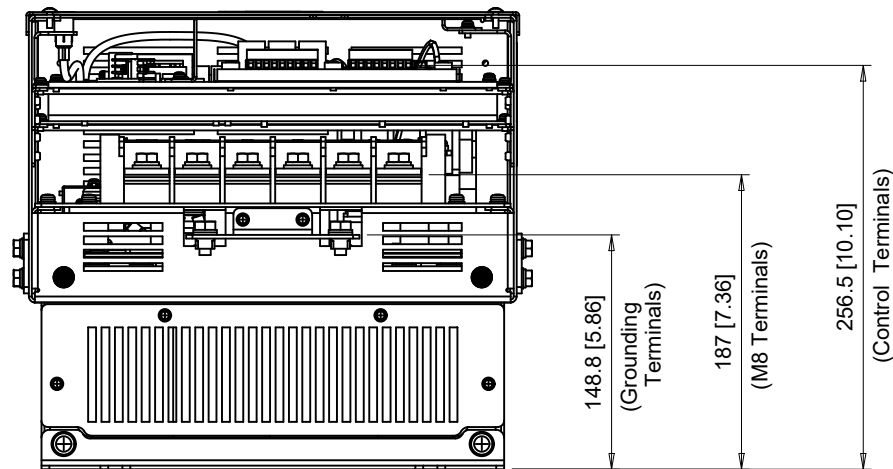
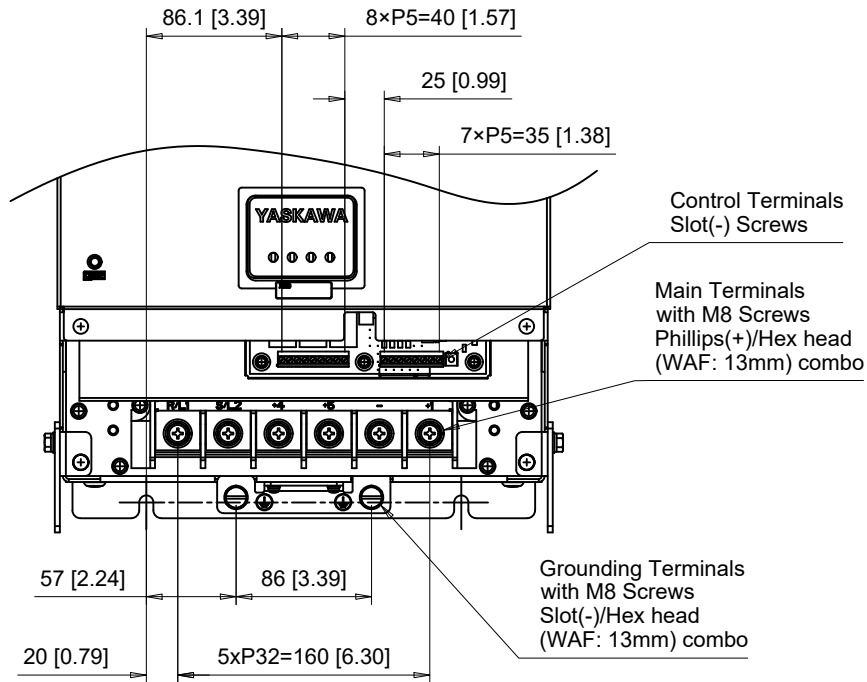
C/C: SPBC-	INPUT VOLTAGE 1-PHASE (VAC)	OUTPUT CAPACITY (kW)	WEIGHT Kg (lb)	COOLING FANS	HEAT LOSS (W)		
					INT	EXT	TOT
2037□□□	230 TO 240	37	37.7 (82.9)	2	281	878	1159
2045□□□		45	37.7 (82.9)	2	339	1031	1370
4056□□□	460 TO 480	56	38.2 (84.1)	2	248	834	1082

□ denotes A-Z

INT=Internal Components  
EXT=External Heatsink  
TOT=Total

<b>YASKAWA</b>			DRWN. J. MATTAS 2-8-19	TITLE SPBC DIMENSION DRAWING FRAME SIZE 3A NEMA TYPE 1 ENCLOSURE	SIZE A	PAGE 1 OF 4	REV 0
			CHKD. J. PIOTROWSKI 2-11-19		DWG.NO.		
			TECH. L. UDDIN 2-14-19		DD.SPBC.FR3A.N1		
			APRV. J. CAIRO 2-15-19				

# Terminal and Wiring Information for SPBC-2037 and SPBC-4056

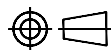


C/C: SPBC-	TERMINAL SYMBOL	WIRE RANGE AWG (mm <sup>2</sup> )	TERMINAL SCREW	CLAMPING TORQUE N.m. (lb.in.)
2037□□□	R/L1, S/L2, +4, +5, -, +1	6 - 250 (13.3 - 127)	M8	9.0 - 11.0 (79.7 - 97.4)
4056□□□	⊙	See Note	M8	9.0 - 11.0 (79.7 - 97.4)

□ Denotes A-Z

Note: Refer to applicable codes and standards for proper wire type and size.

**YASKAWA**



UNITS MM [IN]

SCALE 1:5

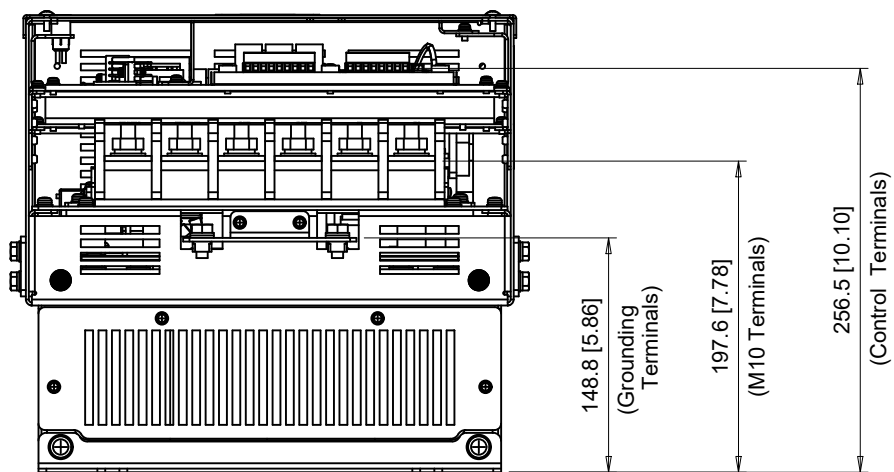
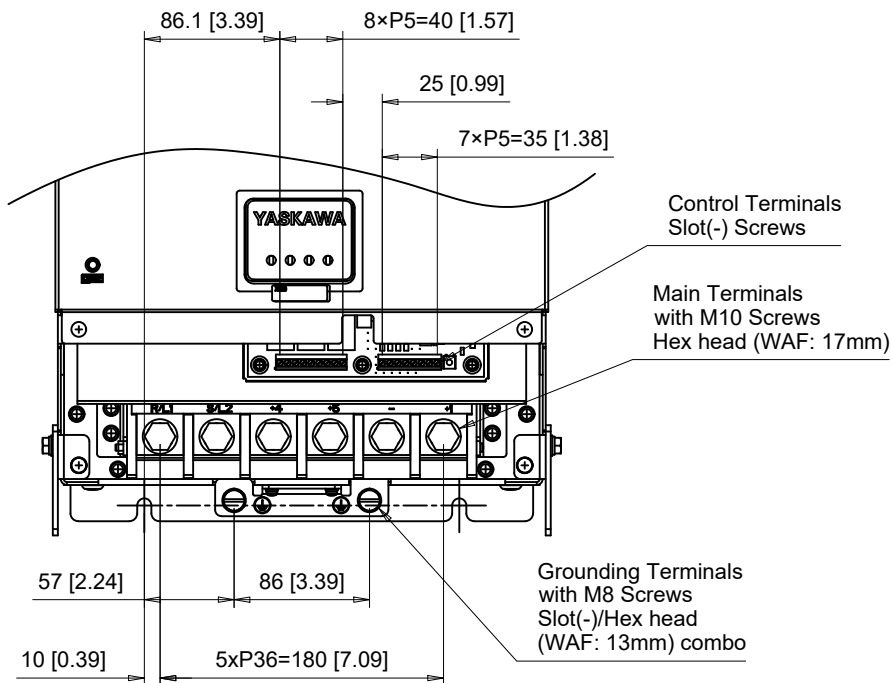
DRWN.	J. MATTAS	2-8-19
CHKD.	J. PIOTROWSKI	2-11-19
TECH.	L. UDDIN	2-14-19
APRV.	J. CAIRO	2-15-19

TITLE  
SPBC DIMENSION DRAWING  
FRAME SIZE 3A  
NEMA TYPE 1 ENCLOSURE

SIZE A PAGE 2 OF 4  
DWG.NO.  
DD.SPBC.FR3A.N1

REV  
0

# Terminal and Wiring Information for SPBC-2045

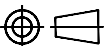


C/C: SPBC-	TERMINAL SYMBOL	WIRE RANGE AWG (mm <sup>2</sup> )	TERMINAL SCREW	CLAMPING TORQUE N.m. (lb.in.)
2045□□□	R/L1, S/L2, +4, +5, -, +1	1 - 350 (42.4 - 152)	M10	18 - 23 (159 - 204)
	⊙	See Note	M8	9.0 - 11.0 (79.7 - 97.4)

□ Denotes A-Z

Note: Refer to applicable codes and standards for proper wire type and size.

# YASKAWA

  
 UNITS MM [IN]  
 SCALE 1:5

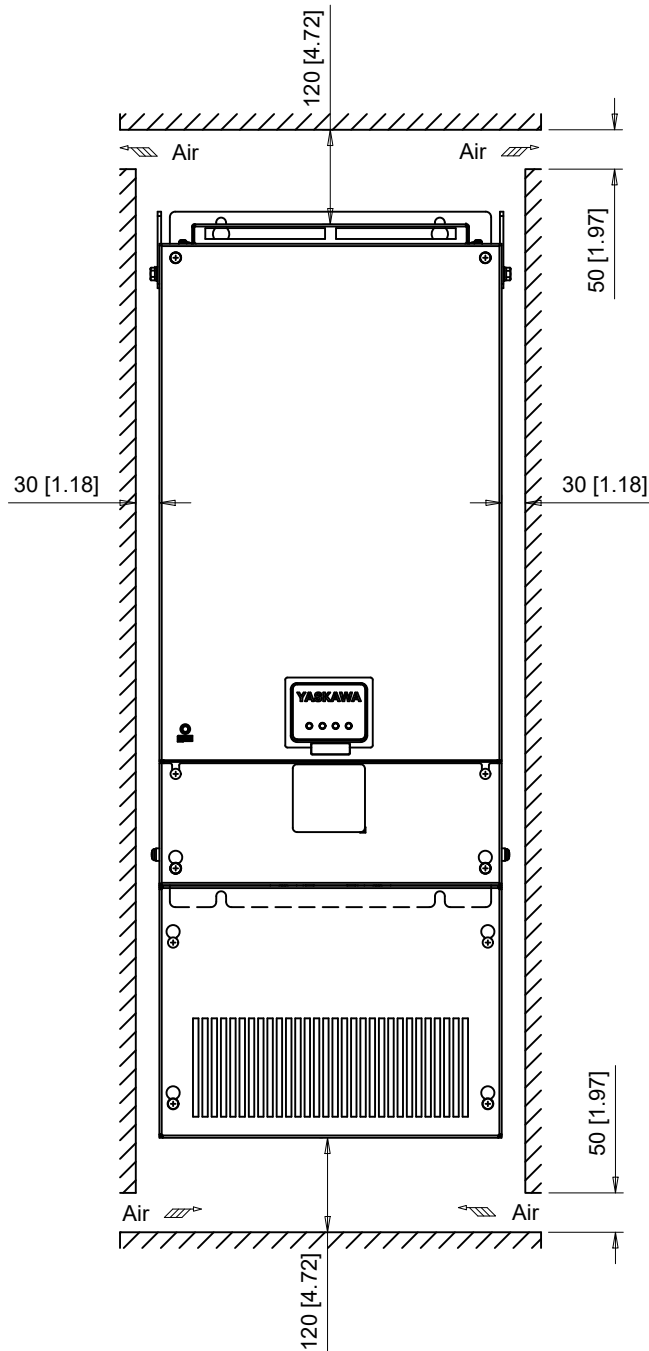
DRWN.	J. MATTAS	2-8-19
CHKD.	J. PIOTROWSKI	2-11-19
TECH.	L. UDDIN	2-14-19
APRV.	J. CAIRO	2-15-19

TITLE  
 SPBC DIMENSION DRAWING  
 FRAME SIZE 3A  
 NEMA TYPE 1 ENCLOSURE

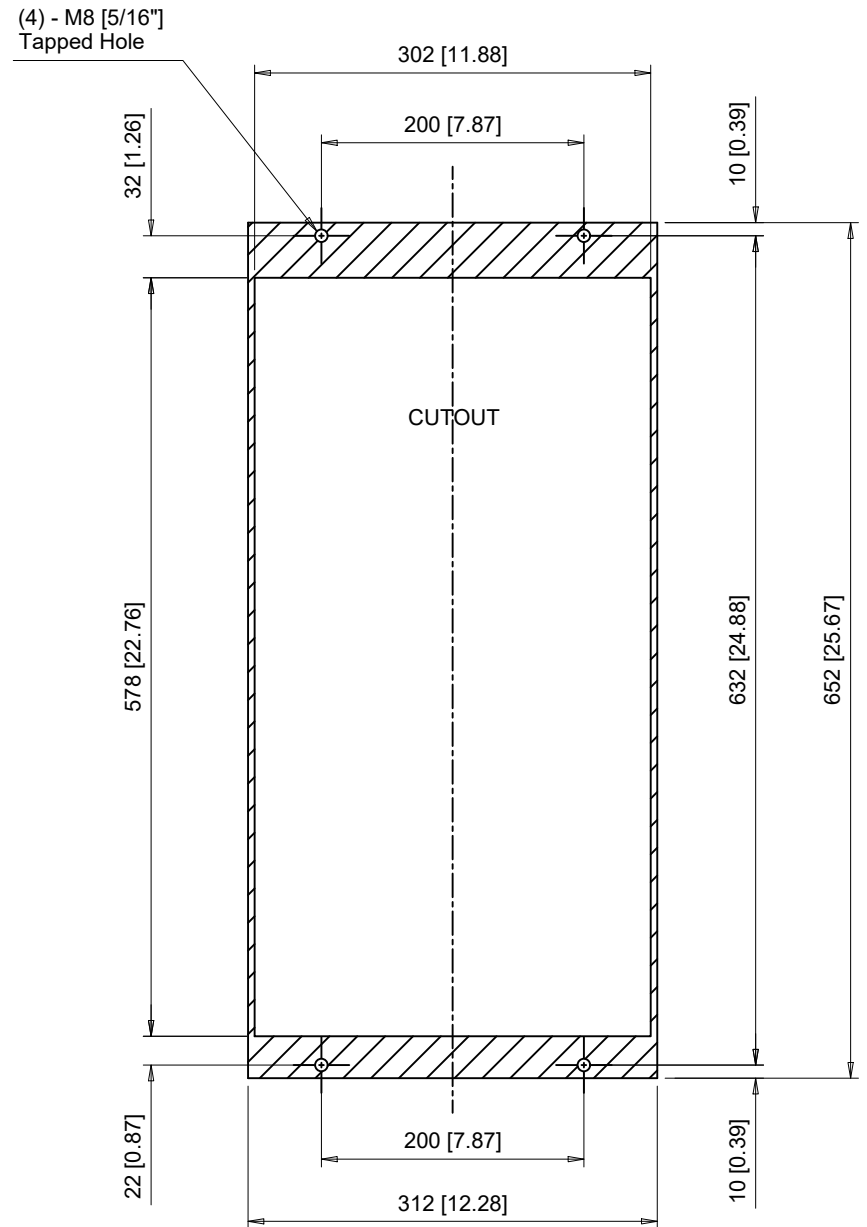
SIZE	A	PAGE	3 OF 4
DWG.NO.		DD.SPBC.FR3A.N1	

REV  
0

Minimum Installation Clearances (Scale 1:10)



Panel Cutout (Scale 1:6)  
For External Heatsink Mounting Configuration



Notes:  
Exposed heatsink minimum clearance D = 106 [4.17].

**YASKAWA**



UNITS MM [IN]  
SCALE ABOVE

DRWN.	J. MATTAS	2-8-19
CHKD.	J. PIOTROWSKI	2-11-19
TECH.	L. UDDIN	2-14-19
APRV.	J. CAIRO	2-15-19

TITLE  
SPBC DIMENSION DRAWING  
FRAME SIZE 3A  
NEMA TYPE 1 ENCLOSURE

SIZE A  
PAGE 4 OF 4  
DWG.NO.  
DD.SPBC.FR3A.N1

REV  
0