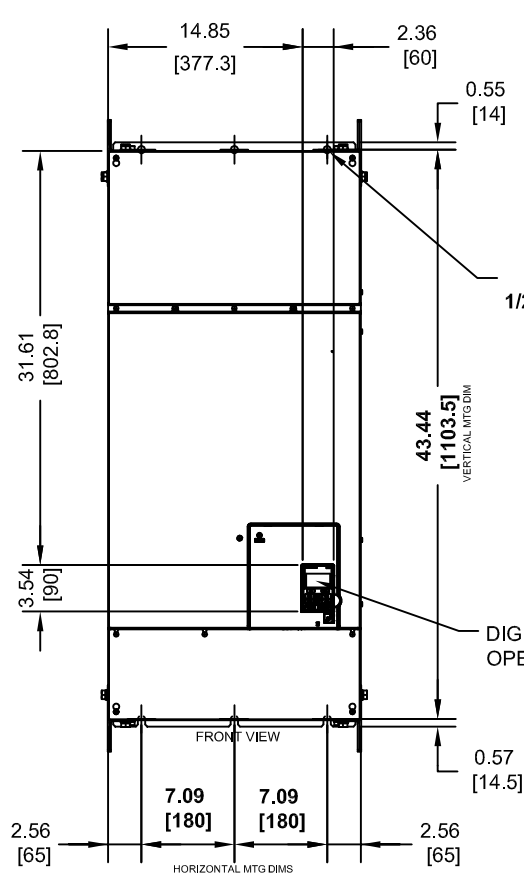
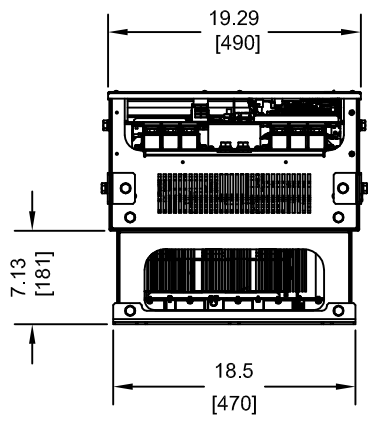
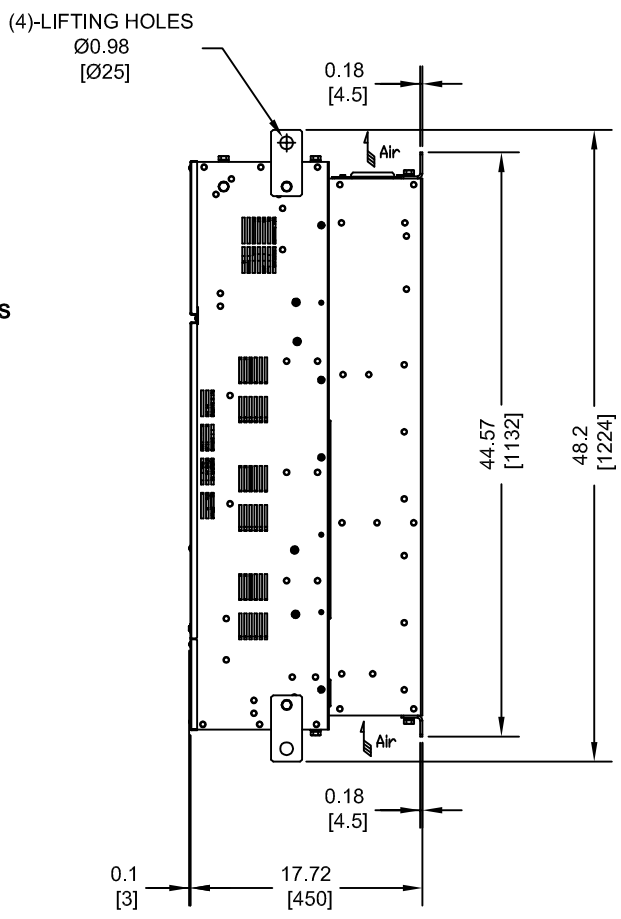


NOTE:  
SPREADER BAR REQUIRED TO  
AVOID DAMAGE DURING LIFTING



(6)-MOUNTING HOLES FOR 1/2" [M12] SCREWS



MODEL # CIMR-UU	VOLTAGE 3-PHASE (VAC)	OUTPUT CURRENT (A)		WEIGHT LBS (Kg)	WEIGHT WITH EMC FILTER LBS (Kg)	HEAT LOSS (W)					
		ND	HD			ND (Fc=4kHz)			HD (Fc=4kHz)		
						INT	EXT	TOT	INT	EXT	TOT
2Y0248AXX	200/240	248	192	387 (176)	398 (181)	578	3785	4363	460	2815	3275
4Y0216AXX	380/500*	216	180	387 (176)	398 (181)	587	3720	4307	503	3035	3538
4Y0240AXX		240	216	387 (176)	398 (181)	600	3897	4497	551	3498	4049

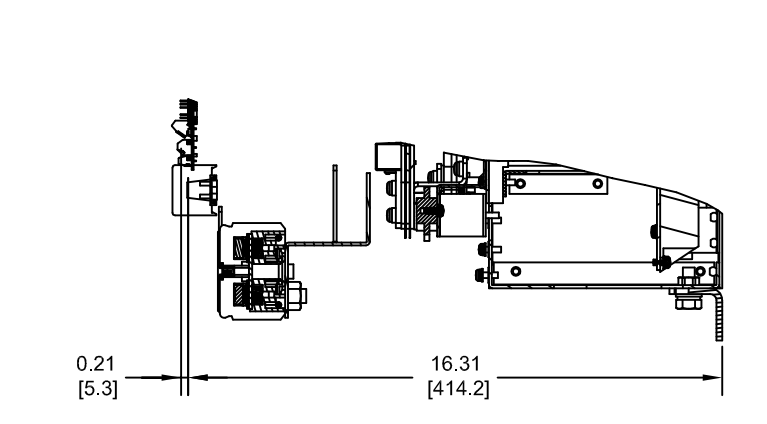
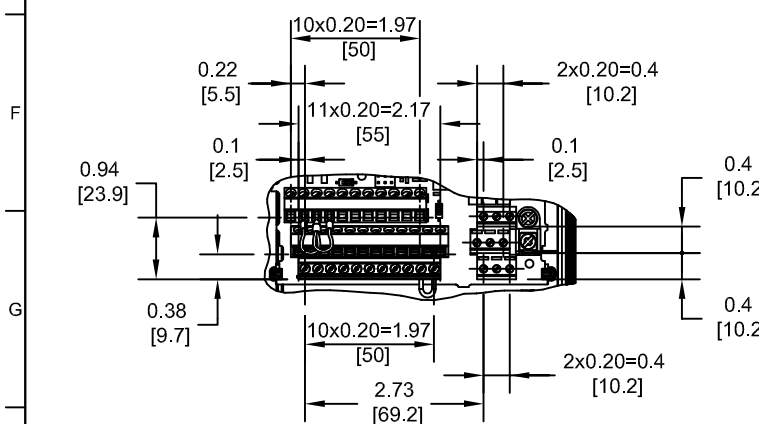
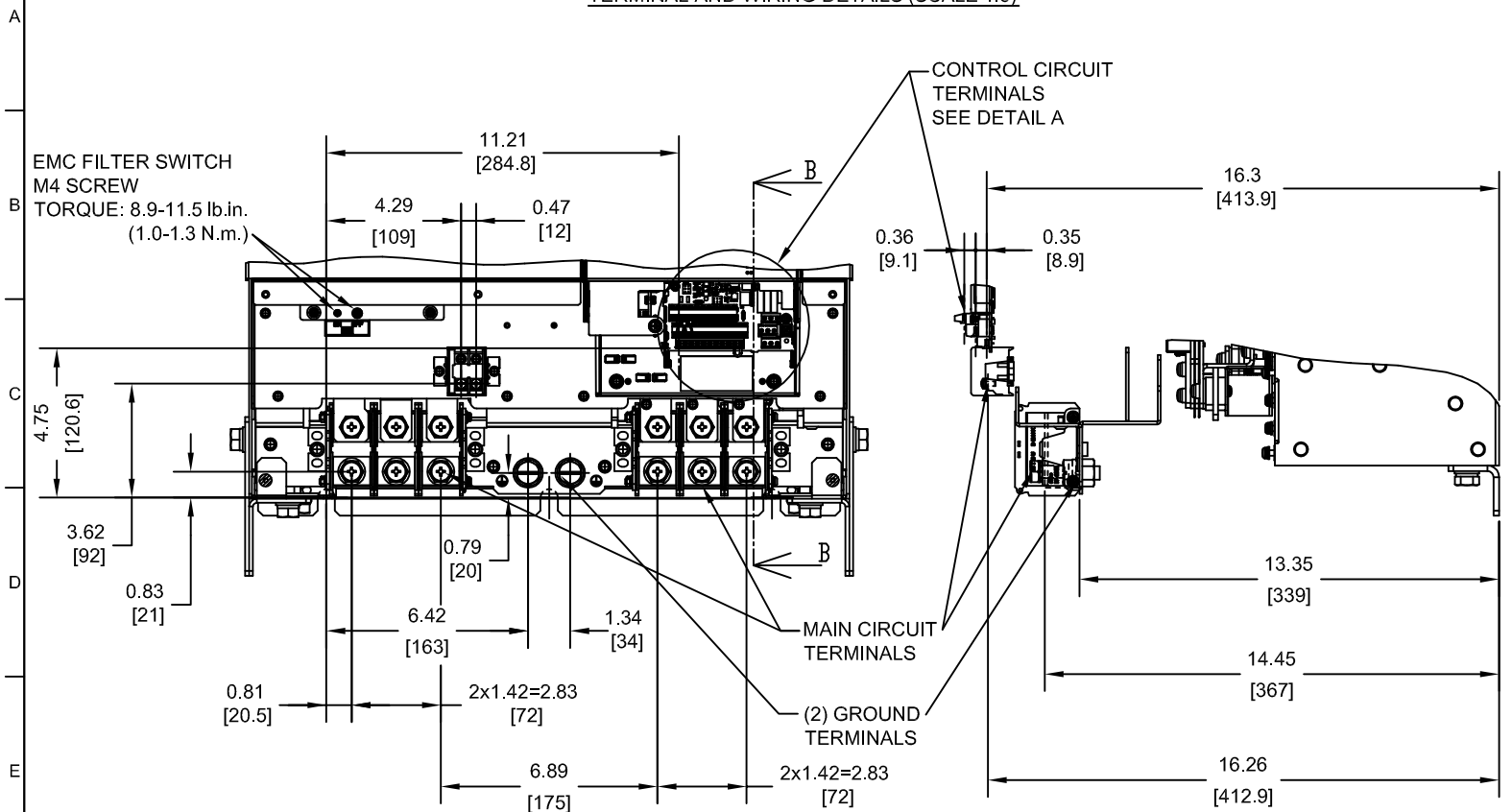
NOTES:  
Y DENOTES A-Z  
XX DENOTES AA-ZZ  
\* - FOR MODELS WITH INTEGRAL EMC FILTER,  
VOLTAGE RATING IS 380/480.

INT=INTERNAL COMPONENTS  
EXT=EXTERNAL HEATSINK  
TOT=TOTAL

FOR ADDITIONAL DETAILS AND SPECIFICATIONS, CONSULT MANUAL

TOLERANCES / REFERENCES:		<p>THIS DOCUMENT AND INFORMATION CONTAINED IN IT ARE CONFIDENTIAL, AND CANNOT BE COPIED OR DISCLOSED IN WHOLE OR IN PART WITHOUT THE EXPRESS WRITTEN CONSENT OF YASKAWA AMERICA, INC.</p>	DRAWN: J. MATTAS CHECKED: J. PIOTROWSKI TECH: J. BORJA APPROVED: J. CAIRO ORIGINAL DESIGN: -	DATE: 11-3-14 DATE: 11-19-14 DATE: 11-20-14 DATE: 12-11-14 DATE: -	TITLE: U1000 DIMENSION DRAWING FRAME SIZE 4.5 IP00 ENCLOSURE 2A0248, 4A0216 AND 4A0240 SIZE: A REVISION: R01 PAGE: 1 of 3 DRAWING #: <b>DD.U1K.FR4.5.IP00</b>
UNITS: IN[mm]	SCALE: 1:15				

TERMINAL AND WIRING DETAILS (SCALE 1:6)



DETAIL A (SCALE 1:3)  
CONTROL CIRCUIT TERMINALS

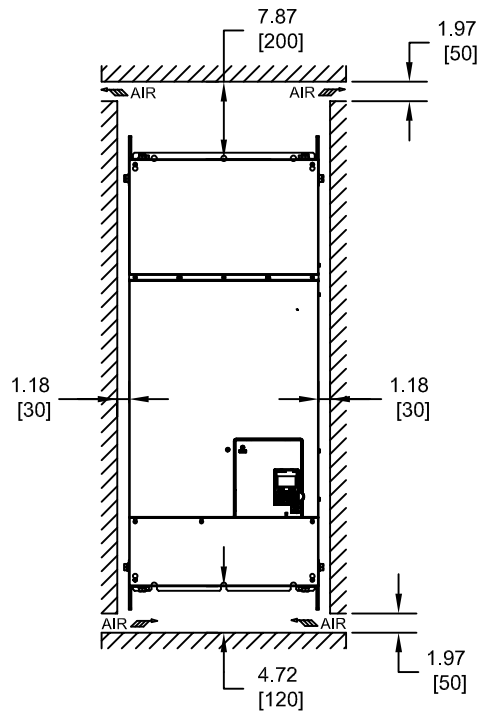
TERMINAL AND WIRE SPECIFICATIONS FOR MAIN CIRCUIT AND GROUND

MODEL # CIMR-UU	TERMINAL SYMBOL	TERMINAL SCREW	CLAMPING TORQUE lb.in.(N.m.)	WIRE RANGE AWG(mm <sup>2</sup> )
2A0248 4A0216 4A0240	R/L1, S/L2, T/L3	M10	133 TO 177 (15 TO 20)	10 TO 4/0 (6 TO 95)
	U/T1, V/T2, W/T3			
	p1, n1	M4	10.6 TO 17.7 (1.2 TO 2.0)	14 TO 12 (2.5 TO 4)
	⊕	M12	278 TO 347 (31.4 TO 39.2)	4 TO 4/0 (25 TO 95)

NOTE: REFER TO APPLICABLE CODES FOR PROPER WIRE TYPE AND SIZE

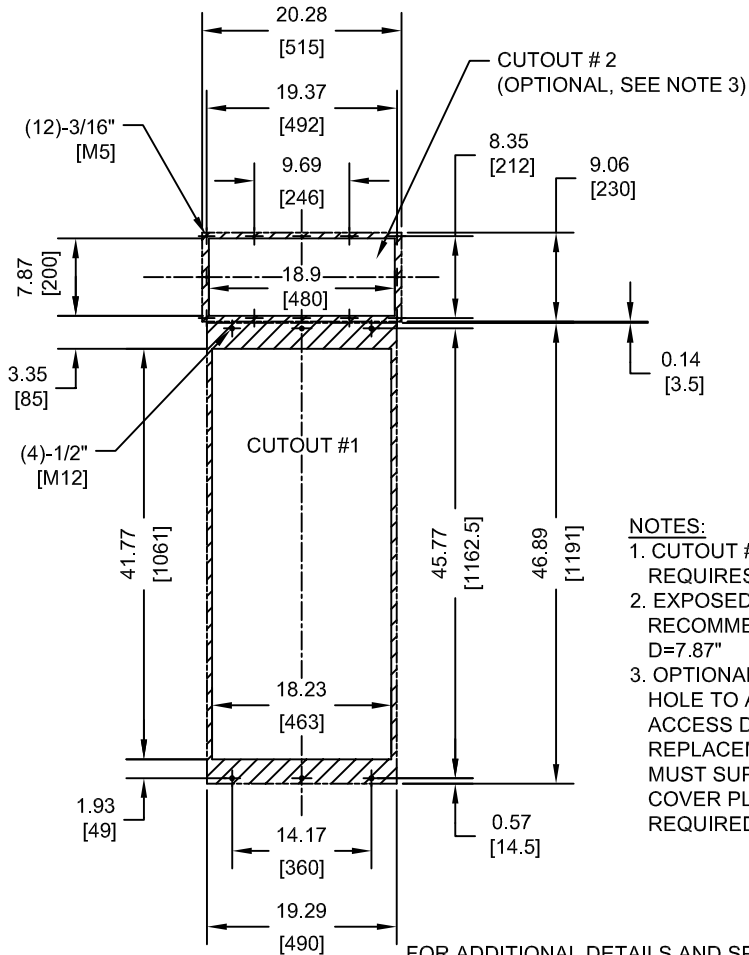
TOLERANCES / REFERENCES:		<p>THIS DOCUMENT AND INFORMATION CONTAINED IN IT ARE CONFIDENTIAL, AND CANNOT BE COPIED OR DISCLOSED IN WHOLE OR IN PART WITHOUT THE EXPRESS WRITTEN CONSENT OF YASKAWA AMERICA, INC.</p>	DRAWN: J. MATTAS CHECKED: J. PIOTROWSKI TECH: J. BORJA APPROVED: J. CAIRO ORIGINAL DESIGN: -	DATE 11-3-14 DATE 11-19-14 DATE 11-20-14 DATE 12-11-14 DATE -	TITLE: U1000 DIMENSION DRAWING FRAME SIZE 4.5 IP00 ENCLOSURE 2A0248, 4A0216 AND 4A0240 SIZE A REVISION R01 PAGE 2 of 3 DRAWING #: DD.U1K.FR4.5.IP00
UNITS: IN[mm]	SCALE: BY VIEW				

MINIMUM INSTALLATION CLEARANCES (SCALE 1:20)



NOTE:  
FOR SIDE-BY-SIDE MOUNTING  
CONSULT MANUAL

PANEL CUTOUT FOR EXTERNAL HEATSINK  
MOUNTING CONFIGURATION (SCALE 1:20)



NOTES:

- CUTOUT #1: EXTERNAL HEATSINK, REQUIRES MOUNTING KIT
- EXPOSED HEATSINK RECOMMENDED CLEARANCE D=7.87"
- OPTIONAL CUTOUT #2 IS AN ACCESS HOLE TO ALLOW FOR FRONT ACCESS DURING HEATSINK COOLING FAN REPLACEMENT. THE PANEL BUILDER MUST SUPPLY THE APPROPRIATE COVER PLATE AND HARDWARE REQUIRED TO CLOSE THIS OPENING.

FOR ADDITIONAL DETAILS AND SPECIFICATIONS, CONSULT MANUAL

TOLERANCES / REFERENCES:			DRAWN: J. MATTAS CHECKED: J. PIOTROWSKI TECH: J. BORJA APPROVED: J. CAIRO ORIGINAL DESIGN: -	DATE: 11-3-14 DATE: 11-19-14 DATE: 11-20-14 DATE: 12-11-14 DATE: -	TITLE: U1000 DIMENSION DRAWING FRAME SIZE 4.5 IP00 ENCLOSURE 2A0248, 4A0216 AND 4A0240 SIZE: A REVISION: R01 PAGE: 3 of 3
UNITS: IN[mm]	SCALE: BY VIEW		THIS DOCUMENT AND INFORMATION CONTAINED IN IT ARE CONFIDENTIAL, AND CANNOT BE COPIED OR DISCLOSED IN WHOLE OR IN PART WITHOUT THE EXPRESS WRITTEN CONSENT OF YASKAWA AMERICA, INC.	DRAWING #: <b>DD.U1K.FR4.5.IP00</b>	