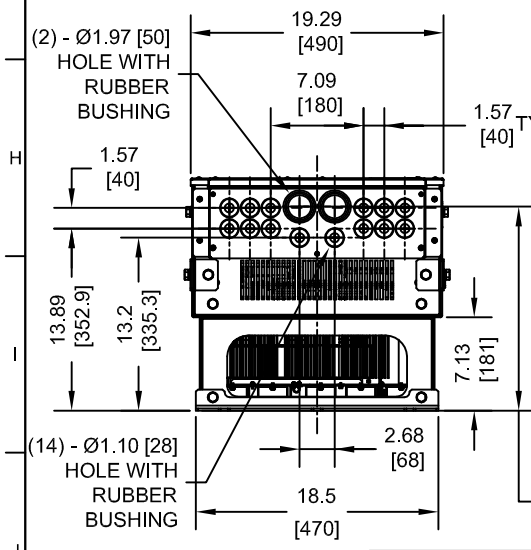


NOTE:  
SPREADER BAR REQUIRED TO AVOID DAMAGE DURING LIFTING

THE DIMENSIONS SHOWN ARE FOR AN IP00 OPEN TYPE DRIVE THAT HAS BEEN CONVERTED TO A NEMA TYPE 1 DRIVE BY ADDING THE PARTS FROM NEMA 1 KIT PART NUMBER EZZ022745E

MODEL # CIMR-UU	VOLTAGE 3-PHASE (VAC)	OUTPUT CURRENT (A)		WEIGHT LBS (Kg)	WEIGHT WITH EMC FILTER LBS (Kg)	HEAT LOSS (W)					
		ND	HD			ND (Fc=4kHz)			HD (Fc=4kHz)		
						INT	EXT	TOT	INT	EXT	TOT
2□0248□□□	200/240	248	192	398 (180)	405 (185)	578	3785	4363	460	2815	3275
4□0216□□□	380/500*	216	180	398 (180)	405 (185)	587	3720	4307	503	3035	3538
4□0240□□□		240	216	398 (180)	405 (185)	600	3897	4497	551	3498	4049

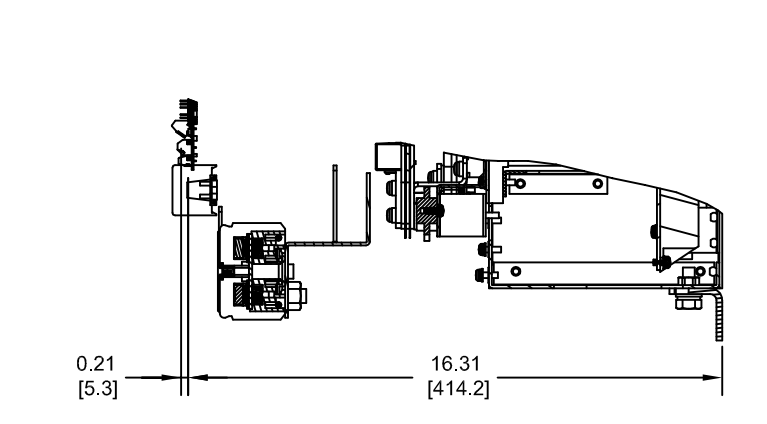
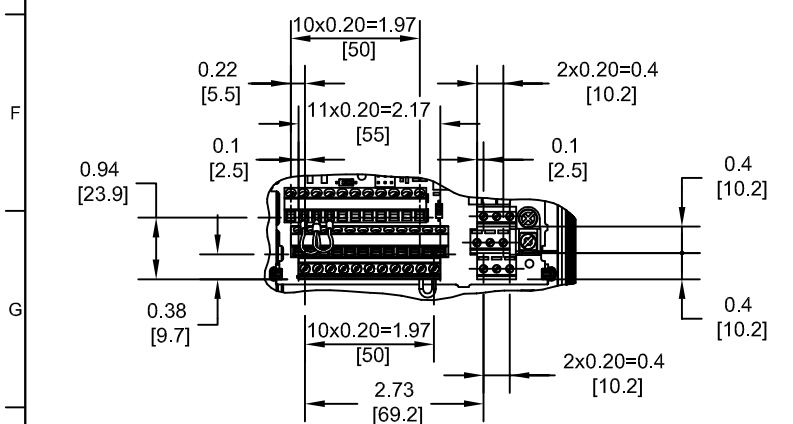
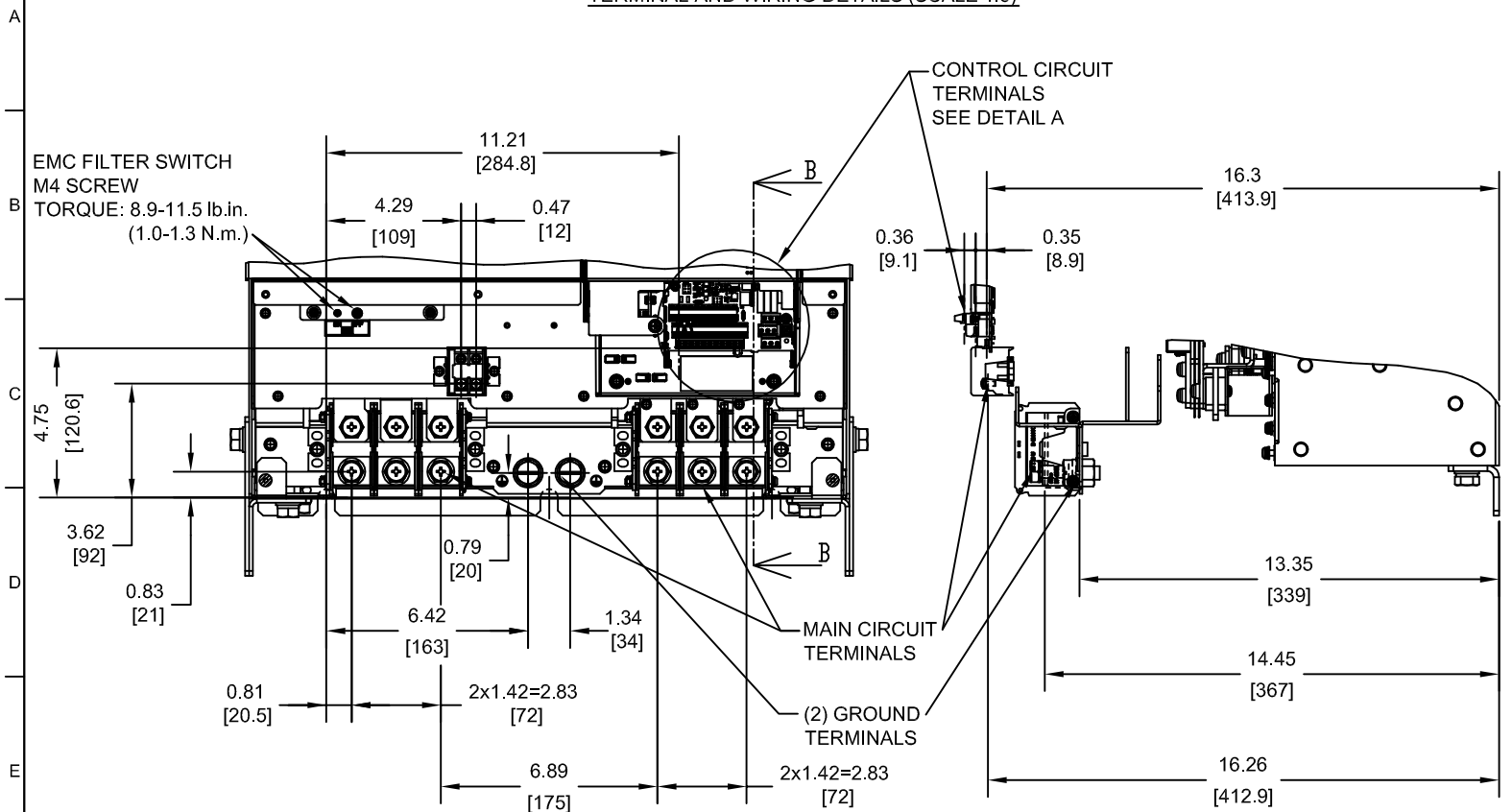
NOTES:  
 □ DENOTES A-Z  
 □□ DENOTES AAA-ZZZ  
 \* - FOR MODELS WITH INTEGRAL EMC FILTER, VOLTAGE RATING IS 380/480.  
 INT=INTERNAL COMPONENTS  
 EXT=EXTERNAL HEATSINK  
 TOT=TOTAL



FOR ADDITIONAL DETAILS AND SPECIFICATIONS, CONSULT MANUAL

TOLERANCES / REFERENCES:		<p>THIS DOCUMENT AND INFORMATION CONTAINED IN IT ARE CONFIDENTIAL, AND CANNOT BE COPIED OR DISCLOSED IN WHOLE OR IN PART WITHOUT THE EXPRESS WRITTEN CONSENT OF YASKAWA AMERICA, INC.</p>	DRAWN: J. MATTAS CHECKED: J. PIOTROWSKI TECH: J. BORJA APPROVED: J. CAIRO ORIGINAL DESIGN: -	DATE: 4-13-15 DATE: 4-21-15 DATE: 4-22-15 DATE: 4-30-15 DATE: -	TITLE: U1000 DIMENSION DRAWING FRAME SIZE 4.5 NEMA TYPE 1 ENCLOSURE 2□0248, 4□0216 AND 4□0240 SIZE: A REVISION: R00 PAGE: 1 of 3 DRAWING #: DD.U1K.FR4.5.N1
UNITS: IN[mm]	SCALE: 1:15				

TERMINAL AND WIRING DETAILS (SCALE 1:6)



DETAIL A (SCALE 1:3)  
CONTROL CIRCUIT TERMINALS

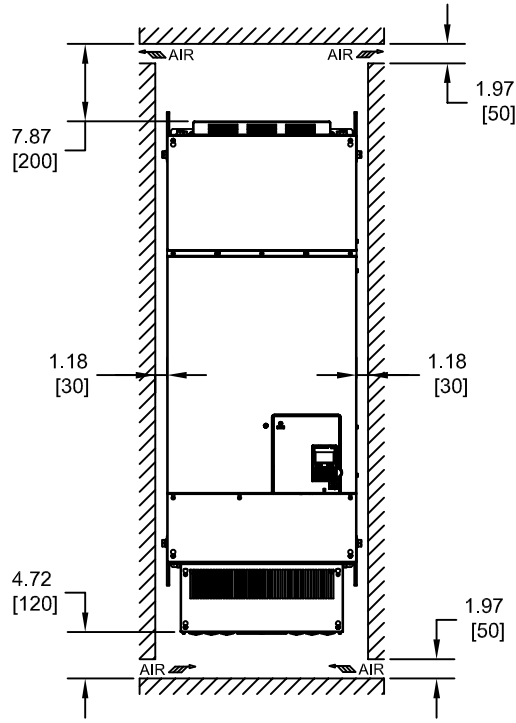
TERMINAL AND WIRE SPECIFICATIONS FOR MAIN CIRCUIT AND GROUND

MODEL # CIMR-UU	TERMINAL SYMBOL	TERMINAL SCREW	CLAMPING TORQUE lb.in.(N.m.)	WIRE RANGE AWG(mm <sup>2</sup> )
2□0248 4□0216 4□0240	R/L1, S/L2, T/L3	M10	133 TO 177 (15 TO 20)	10 TO 4/0 (6 TO 95)
	U/T1, V/T2, W/T3			
	p1, n1	M4	10.6 TO 17.7 (1.2 TO 2.0)	14 TO 12 (2.5 TO 4)
	⊕	M12	278 TO 347 (31.4 TO 39.2)	4 TO 4/0 (25 TO 95)

NOTE: REFER TO APPLICABLE CODES FOR PROPER WIRE TYPE AND SIZE

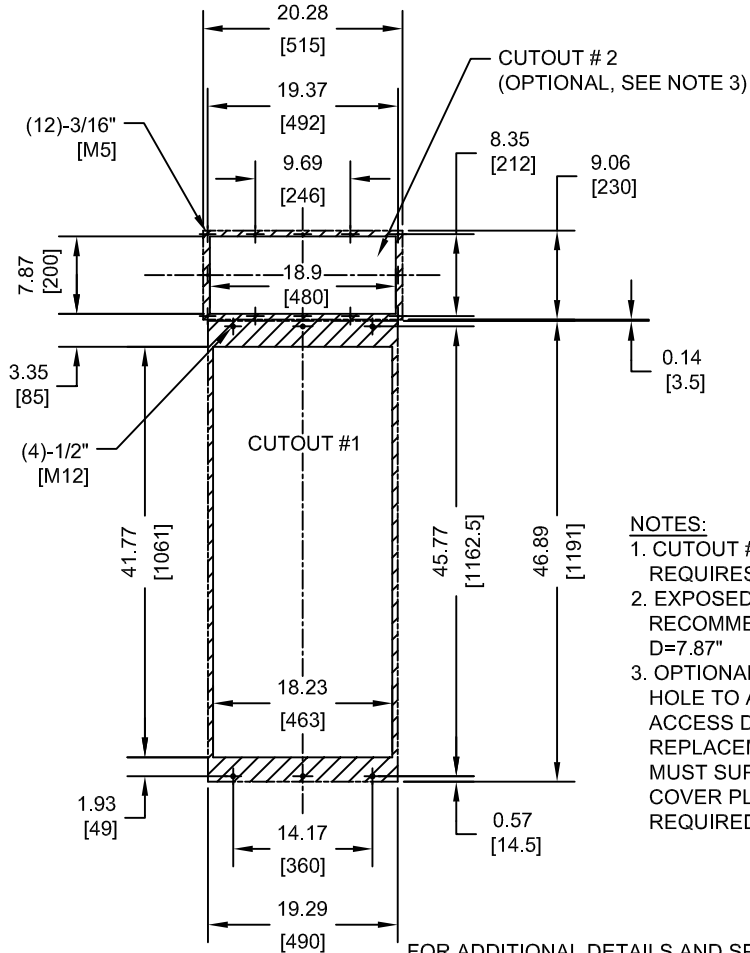
TOLERANCES / REFERENCES:		<p>THIS DOCUMENT AND INFORMATION CONTAINED IN IT ARE CONFIDENTIAL, AND CANNOT BE COPIED OR DISCLOSED IN WHOLE OR IN PART WITHOUT THE EXPRESS WRITTEN CONSENT OF YASKAWA AMERICA, INC.</p>	DRAWN: J. MATTAS CHECKED: J. PIOTROWSKI TECH: J. BORJA APPROVED: J. CAIRO ORIGINAL DESIGN: -	DATE 4-13-15 DATE 4-21-15 DATE 4-22-15 DATE 4-30-15 DATE -	TITLE: U1000 DIMENSION DRAWING FRAME SIZE 4.5 NEMA TYPE 1 ENCLOSURE 2□0248, 4□0216 AND 4□0240 SIZE A REVISION R00 PAGE 2 of 3 DRAWING #: DD.U1K.FR4.5.N1
UNITS: IN[mm]	SCALE: BY VIEW				

MINIMUM INSTALLATION CLEARANCES (SCALE 1:20)



NOTE:  
FOR SIDE-BY-SIDE MOUNTING  
CONSULT MANUAL

PANEL CUTOUT FOR EXTERNAL HEATSINK  
MOUNTING CONFIGURATION (SCALE 1:20)



NOTES:

- CUTOUT #1: EXTERNAL HEATSINK, REQUIRES MOUNTING KIT
- EXPOSED HEATSINK RECOMMENDED CLEARANCE D=7.87"
- OPTIONAL CUTOUT #2 IS AN ACCESS HOLE TO ALLOW FOR FRONT ACCESS DURING HEATSINK COOLING FAN REPLACEMENT. THE PANEL BUILDER MUST SUPPLY THE APPROPRIATE COVER PLATE AND HARDWARE REQUIRED TO CLOSE THIS OPENING.

FOR ADDITIONAL DETAILS AND SPECIFICATIONS, CONSULT MANUAL

TOLERANCES / REFERENCES:			DRAWN: J. MATTAS CHECKED: J. PIOTROWSKI TECH: J. BORJA APPROVED: J. CAIRO ORIGINAL DESIGN: -	DATE: 4-13-15 DATE: 4-21-15 DATE: 4-22-15 DATE: 4-30-15 DATE: -	TITLE: U1000 DIMENSION DRAWING FRAME SIZE 4.5 NEMA TYPE 1 ENCLOSURE 2□0248, 4□0216 AND 4□0240
UNITS: IN[mm]	SCALE: BY VIEW		THIS DOCUMENT AND INFORMATION CONTAINED IN IT ARE CONFIDENTIAL, AND CANNOT BE COPIED OR DISCLOSED IN WHOLE OR IN PART WITHOUT THE EXPRESS WRITTEN CONSENT OF YASKAWA AMERICA, INC.	SIZE: A REVISION: R00 PAGE: 3 of 3	DRAWING #: DD.U1K.FR4.5.N1