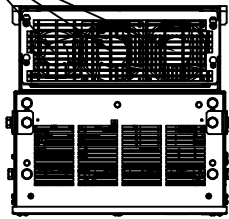
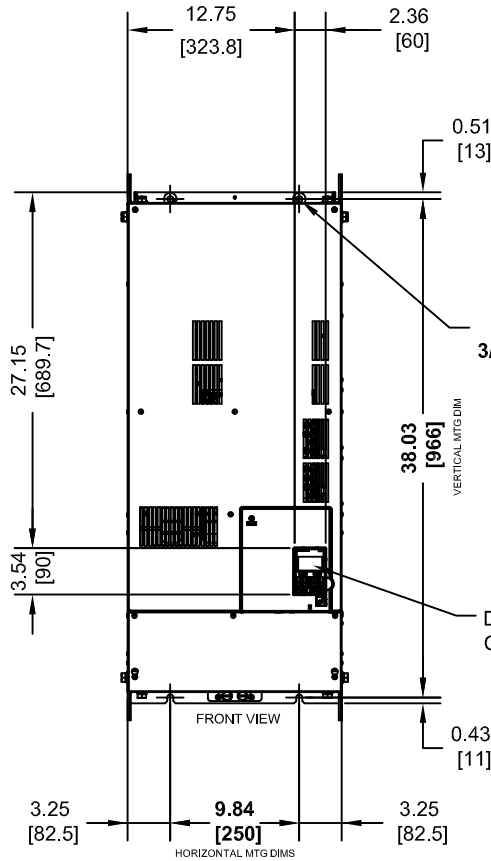


(3) EXTERNAL COOLING FANS



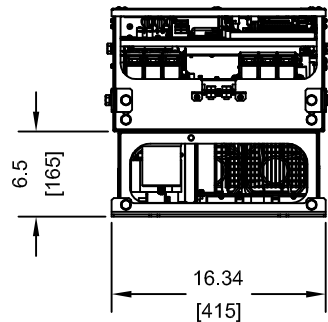
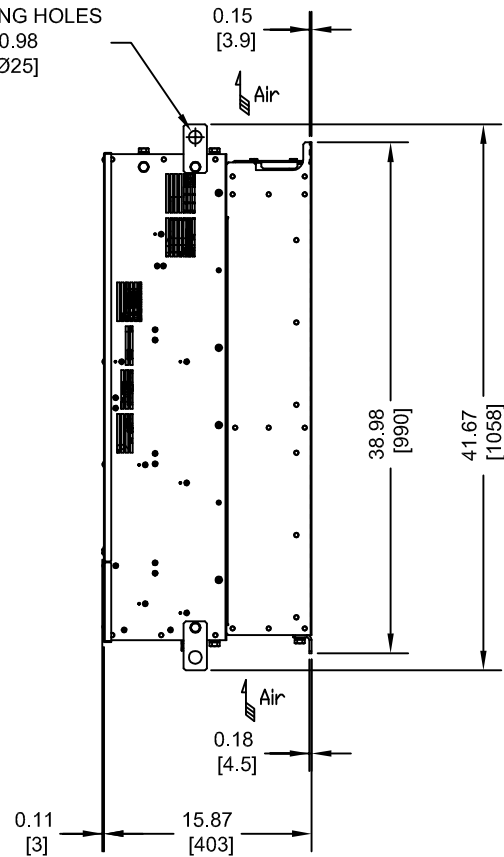
NOTE:
SPREADER BAR REQUIRED TO
AVOID DAMAGE DURING LIFTING



(4)-LIFTING HOLES
Ø0.98
[Ø25]

(4)-MOUNTING HOLES FOR
3/8" [M10] SCREWS

DIGITAL OPERATOR



MODEL # CIMR-UU	VOLTAGE 3-PHASE (VAC)	OUTPUT CURRENT (A)		WEIGHT LBS (Kg)	WEIGHT WITH EMC FILTER LBS (Kg)	HEAT LOSS (W)					
		ND	HD			ND (Fc=4kHz)			HD (Fc=4kHz)		
						INT	EXT	TOT	INT	EXT	TOT
2Y0154AXX	200/240	154	130	242 (110)	253 (115)	366	2441	2807	318	2037	2355
2Y0192AXX		192	154	242 (110)	253 (115)	447	3064	3511	366	2400	2766
4Y0156AXX	380/500*	156	124	242 (110)	253 (115)	421	2857	3278	343	2242	2585
4Y0180AXX		180	156	242 (110)	253 (115)	482	3316	3798	421	2833	3254

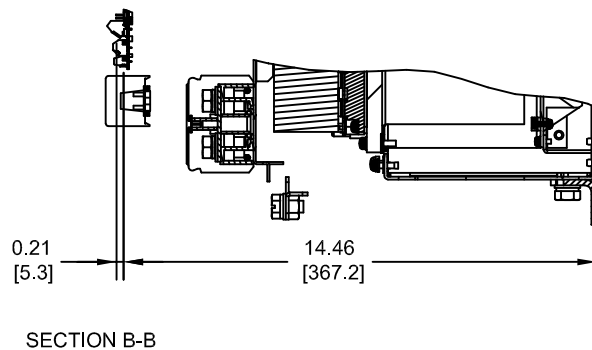
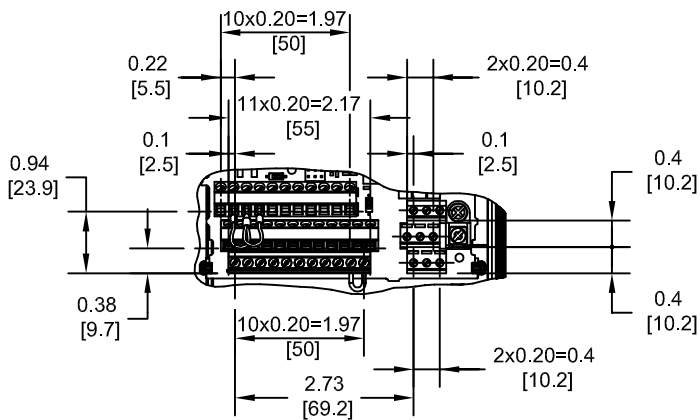
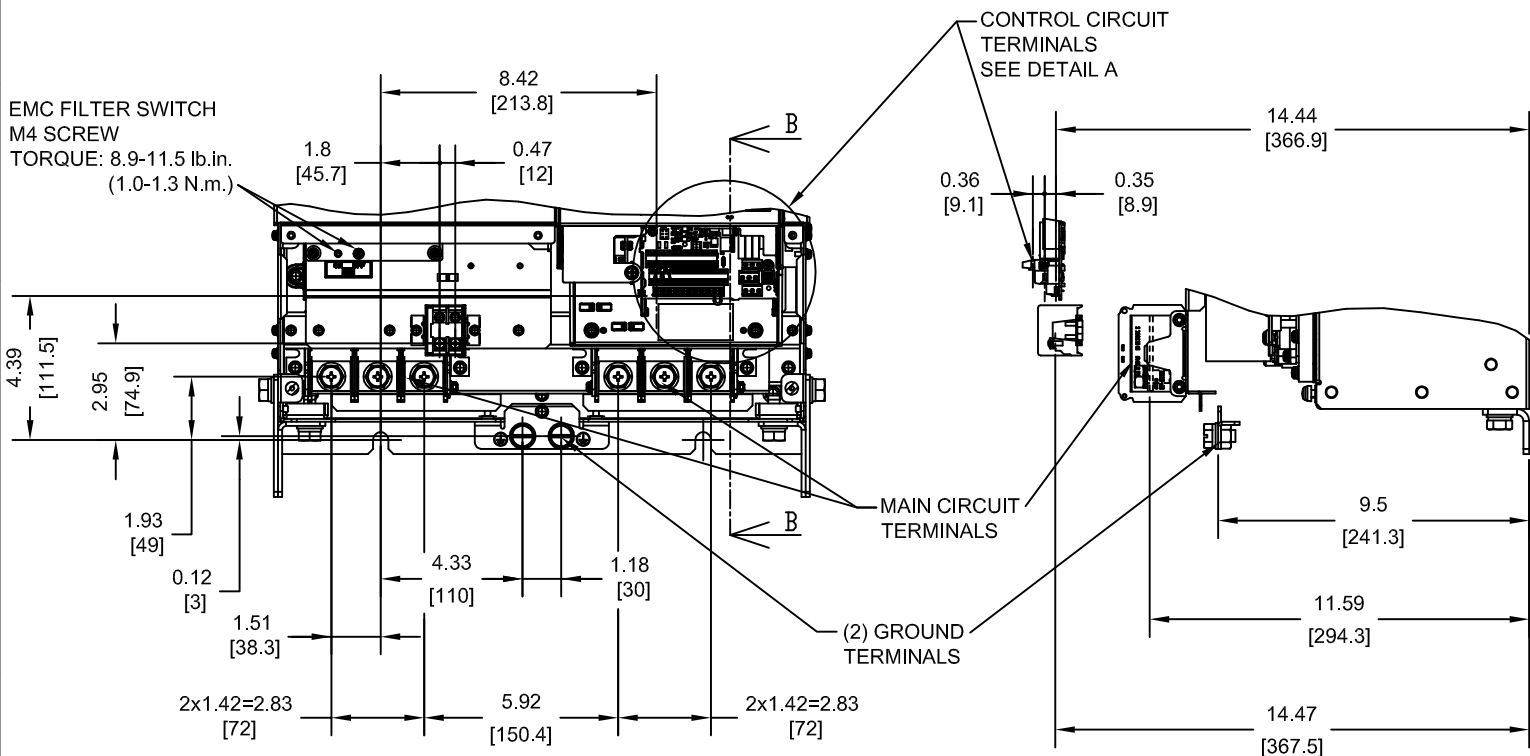
NOTES:
Y DENOTES A-Z
XX DENOTES AA-ZZ
* - FOR MODELS WITH INTEGRAL EMC FILTER,
VOLTAGE RATING IS 380/480.

INT=INTERNAL COMPONENTS
EXT=EXTERNAL HEATSINK
TOT=TOTAL

FOR ADDITIONAL DETAILS AND SPECIFICATIONS, CONSULT MANUAL

TOLERANCES / REFERENCES:			DRAWN: J. MATTAS	DATE: 11-12-14	TITLE: U1000 DIMENSION DRAWING		
UNITS: IN[mm]	SCALE: 1:15		CHECKED: J. PIOTROWSKI	DATE: 11-19-14	FRAME SIZE 4 IP00 ENCLOSURE		
THIS DOCUMENT AND INFORMATION CONTAINED IN IT ARE CONFIDENTIAL, AND CANNOT BE COPIED OR DISCLOSED IN WHOLE OR IN PART WITHOUT THE EXPRESS WRITTEN CONSENT OF YASKAWA AMERICA, INC.		TECH: J. BORJA	DATE: 11-20-14	2A0154, 2A0192, 4A0156 AND 4A0180			
		APPROVED: J. CAIRO	DATE: 12-11-14	SIZE: A	REVISION: R01	PAGE: 1 of 3	
		ORIGINAL DESIGN: -	DATE: -	DRAWING #: DD.U1K.FR4.IP00			

TERMINAL AND WIRING DETAILS (SCALE 1:6)



DETAIL A (SCALE 1:3)
CONTROL CIRCUIT TERMINALS

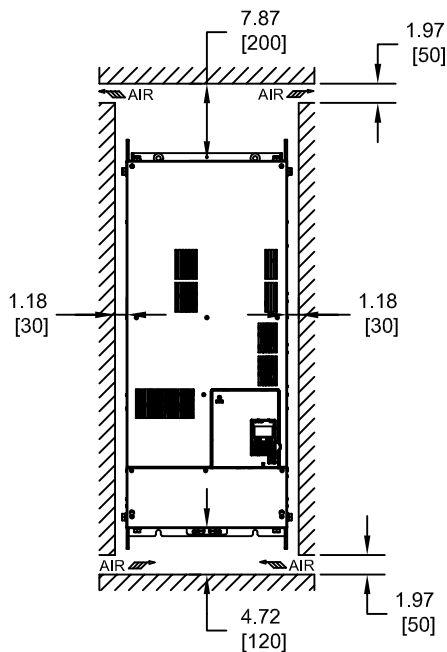
TERMINAL AND WIRE SPECIFICATIONS FOR MAIN CIRCUIT AND GROUND

MODEL # CIMR-UU	TERMINAL SYMBOL	TERMINAL SCREW	CLAMPING TORQUE lb.in.(N.m.)	WIRE RANGE AWG(mm ²)
2A0154	R/L1, S/L2, T/L3	M10	133 TO 177 (15 TO 20)	10 TO 4/0 (6 TO 95)
2A0192	U/T1, V/T2, W/T3			
4A0156	p1, n1	M4	10.6 TO 17.7 (1.2 TO 2.0)	14 TO 12 (2.5 TO 4)
4A0180	⊕	M10	156 TO 200 (17.7 TO 22.6)	4 TO 2/0 (25 TO 70)

NOTE: REFER TO APPLICABLE CODES FOR PROPER WIRE TYPE AND SIZE

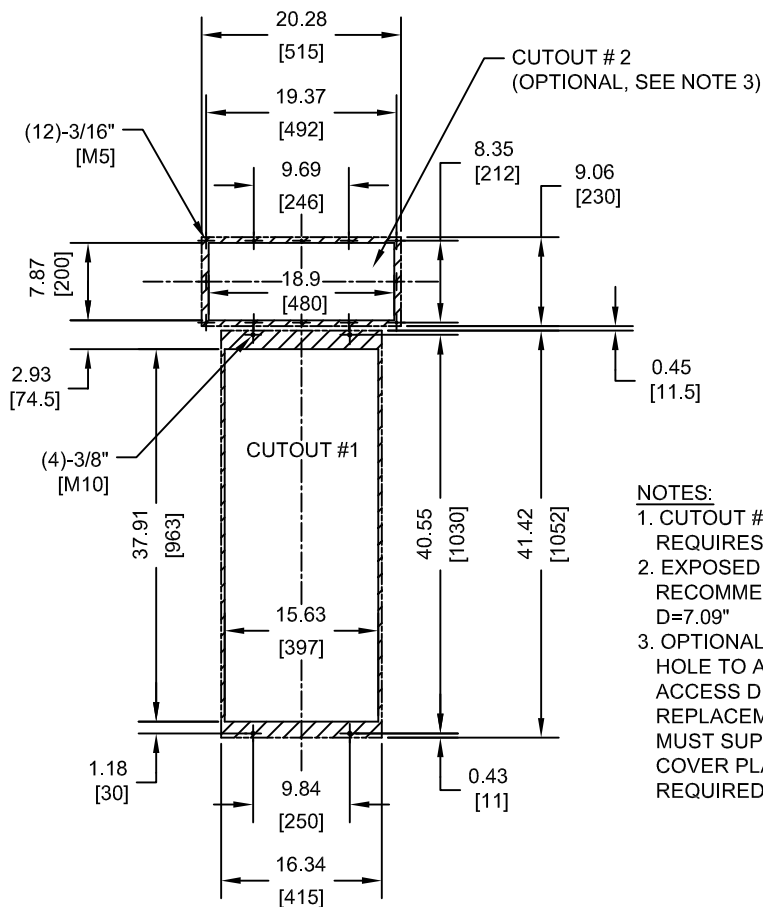
TOLERANCES / REFERENCES:			DRAWN: J. MATTAS	DATE 11-12-14	TITLE: U1000 DIMENSION DRAWING	
UNITS: IN[mm]	SCALE: BY VIEW		CHECKED: J. PIOTROWSKI	DATE 11-19-14	FRAME SIZE 4 IP00 ENCLOSURE	
		TECH: J. BORJA		DATE 11-20-14	2A0154, 2A0192, 4A0156 AND 4A0180	
		APPROVED: J. CAIRO		DATE 12-11-14	SIZE A	REVISION R01
		ORIGINAL DESIGN: -		DATE -	PAGE 2 of 3	
				DRAWING #: DD.U1K.FR4.IP00		

MINIMUM INSTALLATION CLEARANCES (SCALE 1:20)



NOTE:
FOR SIDE-BY-SIDE MOUNTING
CONSULT MANUAL

PANEL CUTOUT FOR EXTERNAL HEATSINK
MOUNTING CONFIGURATION (SCALE 1:20)



- NOTES:
1. CUTOUT #1: EXTERNAL HEATSINK, REQUIRES MOUNTING KIT
 2. EXPOSED HEATSINK RECOMMENDED CLEARANCE D=7.09"
 3. OPTIONAL CUTOUT #2 IS AN ACCESS HOLE TO ALLOW FOR FRONT ACCESS DURING HEATSINK COOLING FAN REPLACEMENT. THE PANEL BUILDER MUST SUPPLY THE APPROPRIATE COVER PLATE AND HARDWARE REQUIRED TO CLOSE THIS OPENING.

FOR ADDITIONAL DETAILS AND SPECIFICATIONS, CONSULT MANUAL

TOLERANCES / REFERENCES:			DRAWN: J. MATTAS	DATE: 11-12-14	TITLE: U1000 DIMENSION DRAWING				
			CHECKED: J. PIOTROWSKI	DATE: 11-19-14	FRAME SIZE 4 IP00 ENCLOSURE				
		THIS DOCUMENT AND INFORMATION CONTAINED IN IT ARE CONFIDENTIAL, AND CANNOT BE COPIED OR DISCLOSED IN WHOLE OR IN PART WITHOUT THE EXPRESS WRITTEN CONSENT OF YASKAWA AMERICA, INC.			TECH: J. BORJA	DATE: 11-20-14	SIZE: A	REVISION: R01	PAGE: 3 of 3
UNITS: IN[mm]	SCALE: BY VIEW	APPROVED: J. CAIRO		DATE: 12-11-14	DRAWING #: DD.U1K.FR4.IP00				
		ORIGINAL DESIGN: -		DATE: -					