
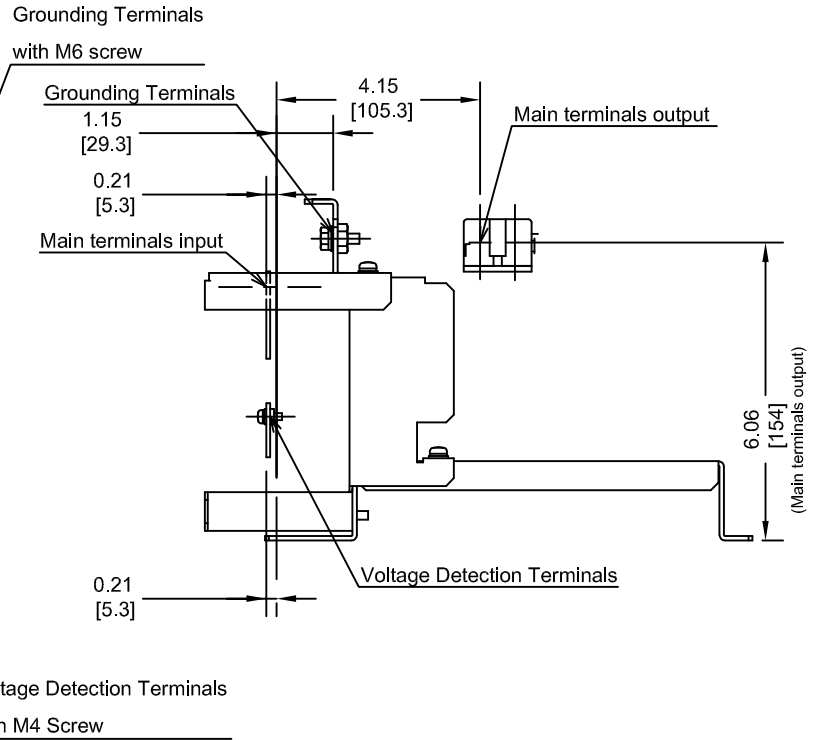
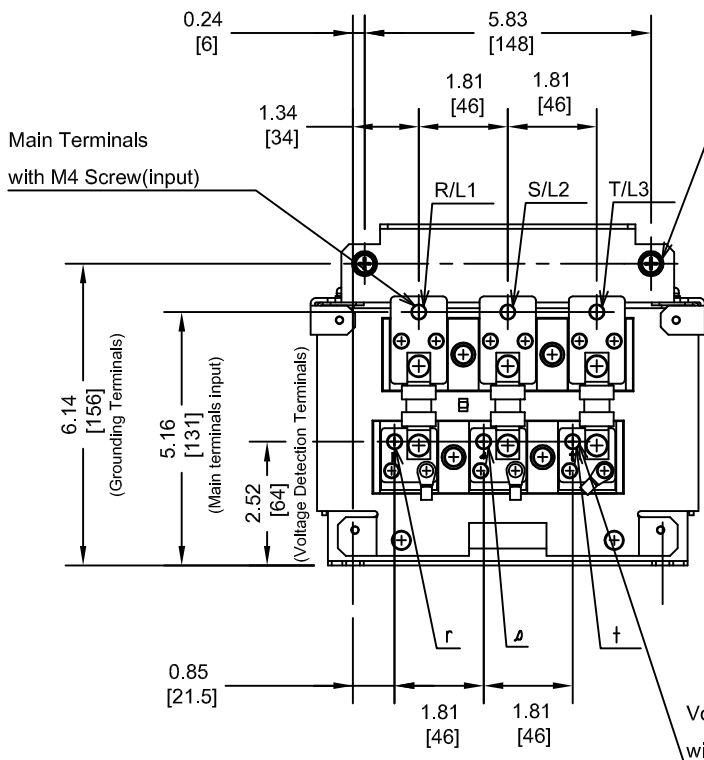
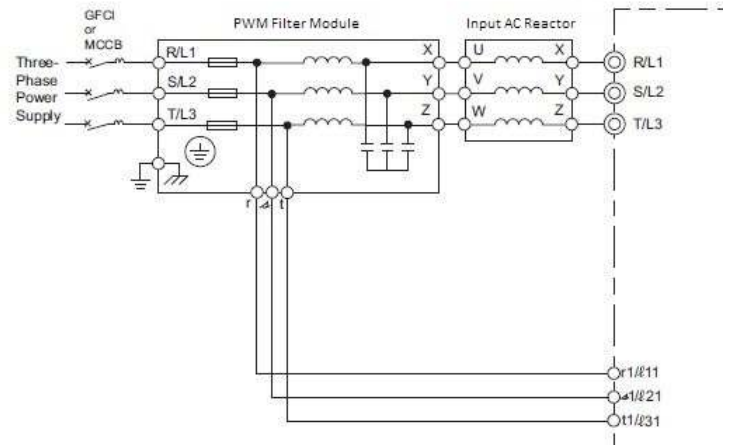
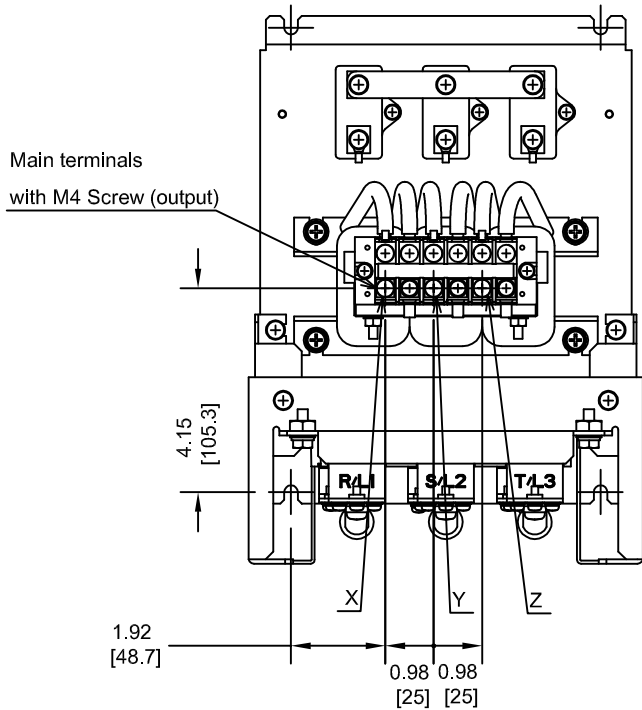


PART #	DESCRIPTION	VOLTAGE (VAC)	CURRENT (A)	WEIGHT LBS (Kg)	HEAT LOSS (W)
UF1000349	EUJ71080X	200/240	15	14.3 (6.5)	32

TOLERANCES / REFERENCES:		 YASKAWA <small>THIS DOCUMENT AND INFORMATION CONTAINED IN IT ARE CONFIDENTIAL, AND CANNOT BE COPIED OR DISCLOSED IN WHOLE OR IN PART WITHOUT THE EXPRESS WRITTEN CONSENT OF YASKAWA AMERICA, INC.</small>	DRAWN: J. MATTAS	DATE: 7-28-14	TITLE: D1000 PWM FILTER MODULE DIMENSION DRAWING UF1000349	
			CHECKED: J. PIOTROWSKI	DATE: 7-30-14		
			TECH: J. BORJA	DATE: 7-31-14		
			APPROVED: J. CAIRO	DATE: 9-23-14		
UNITS: IN [mm]	SCALE: 1: 4	ORIGINAL DESIGN: -	DATE: -	SIZE: A	REVISION: R00	PAGE: 1 of 2
				DRAWING #: DD.UF1000349		

TERMINAL DETAILS
(FRONT COVER AND TOP COVER REMOVED)

ELECTRICAL DIAGRAM



TOLERANCES / REFERENCES:



THIS DOCUMENT AND INFORMATION CONTAINED
IN IT ARE CONFIDENTIAL, AND CANNOT BE
COPIED OR DISCLOSED IN WHOLE OR IN PART
WITHOUT THE EXPRESS WRITTEN CONSENT
OF YASKAWA AMERICA, INC.

DRAWN:
J. MATTAS

CHECKED:
J. PIOTROWSKI

TECH:
J. BORJA

APPROVED:
J. CAIRO

ORIGINAL DESIGN:
-

DATE
7-28-14

DATE
7-30-14

DATE
7-31-14

DATE
9-23-14

DATE
-

TITLE:
D1000 PWM FILTER MODULE
DIMENSION DRAWING
UF1000349

SIZE
A

REVISION
R00

PAGE
2 of 2

DRAWING #:
DD.UF1000349

UNITS:
IN [mm]

SCALE:
1:4