

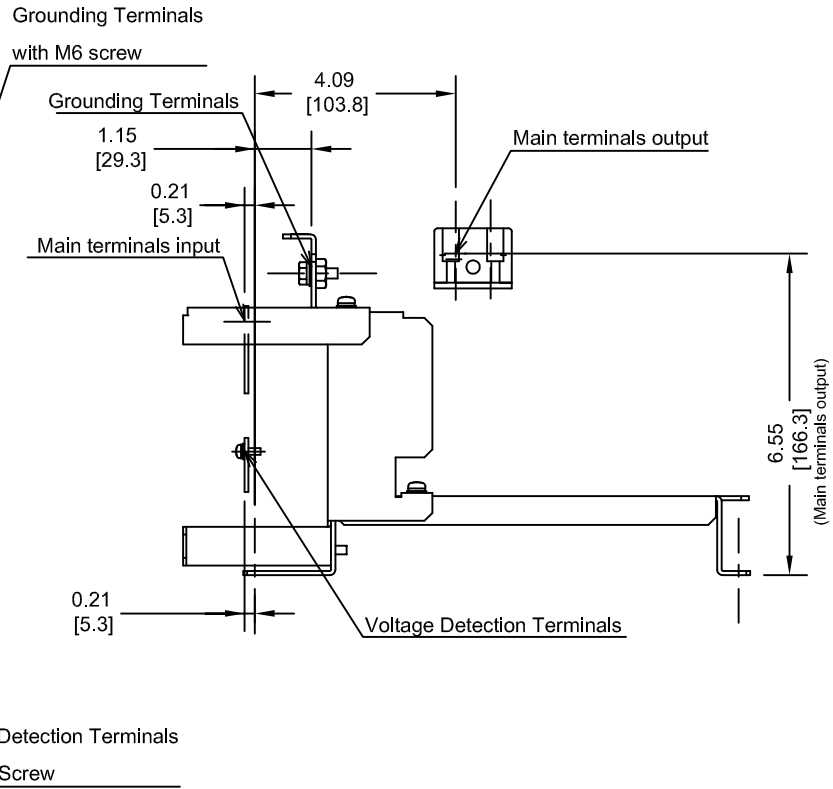
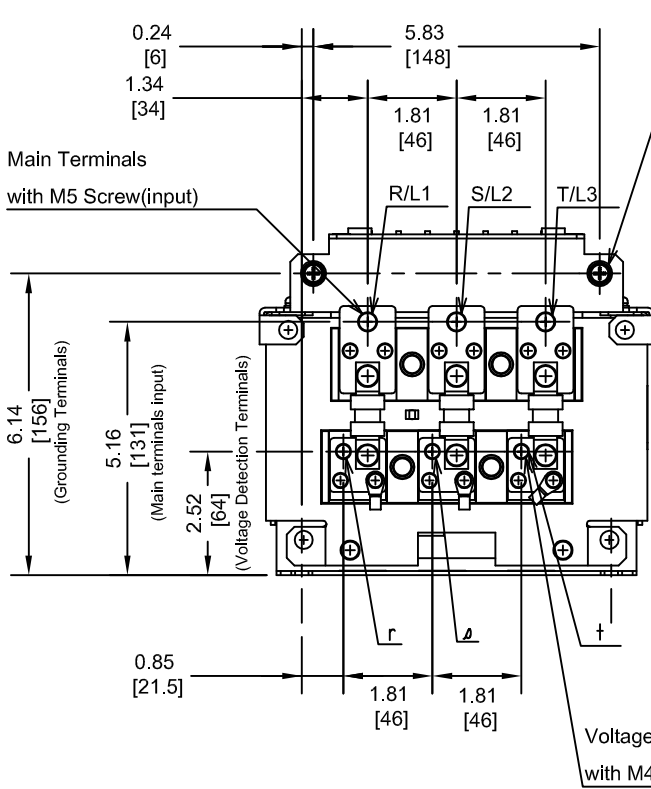
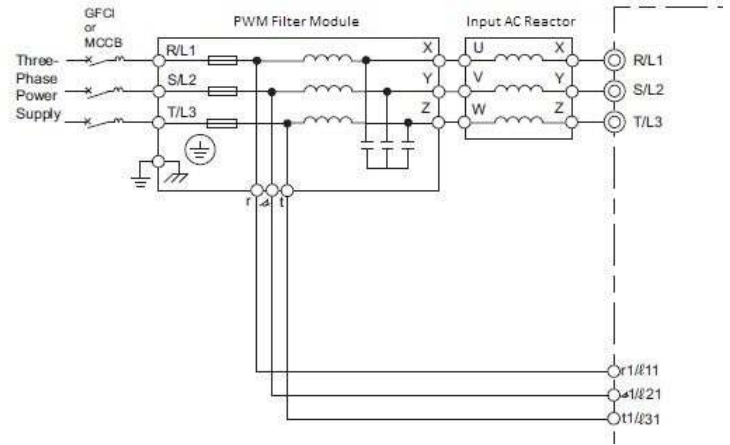
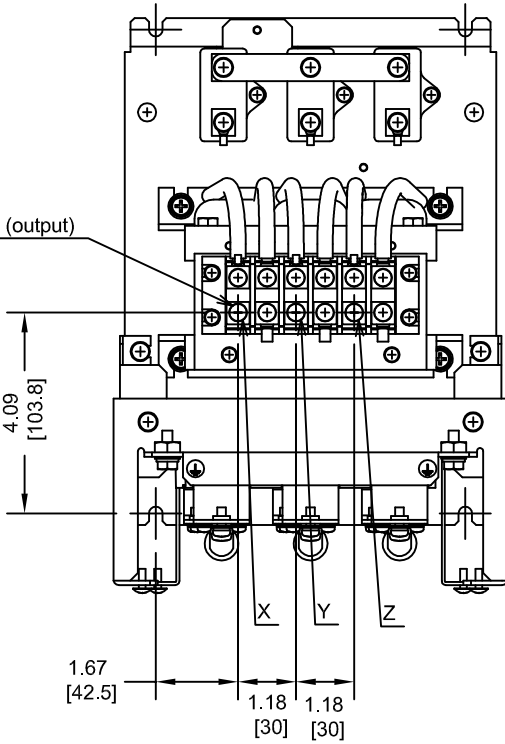
PART #	DESCRIPTION	VOLTAGE (VAC)	CURRENT (A)	WEIGHT LBS (Kg)	HEAT LOSS (W)
UF1000350	EUJ71081X	200/240	29	19.8 (9.0)	55

TOLERANCES / REFERENCES:	<p>YASKAWA</p> <p>THIS DOCUMENT AND INFORMATION CONTAINED IN IT ARE CONFIDENTIAL, AND CANNOT BE COPIED OR DISCLOSED IN WHOLE OR IN PART WITHOUT THE EXPRESS WRITTEN CONSENT OF YASKAWA AMERICA, INC.</p>	DRAWN: J. MATTAS	DATE 7-28-14	TITLE: D1000 PWM FILTER MODULE DIMENSION DRAWING UF1000350		
		CHECKED: J. PIOTROWSKI	DATE 7-30-14			
		TECH: J. BORJA	DATE 7-31-14			
		APPROVED: J. CAIRO	DATE 9-23-14			
UNITS: IN [mm]	SCALE: 1:4	ORIGINAL DESIGN: -	DATE -	SIZE A	REVISION R00	PAGE 1 of 2
DRAWING #: DD.UF1000350						

TERMINAL DETAILS
(FRONT COVER AND TOP COVER REMOVED)

ELECTRICAL DIAGRAM

Main terminals
with M5 Screw (output)



TOLERANCES / REFERENCES:



THIS DOCUMENT AND INFORMATION CONTAINED
IN IT ARE CONFIDENTIAL, AND CANNOT BE
COPIED OR DISCLOSED IN WHOLE OR IN PART
WITHOUT THE EXPRESS WRITTEN CONSENT
OF YASKAWA AMERICA, INC.

DRAWN: J. MATTAS	DATE 7-28-14
CHECKED: J. PIOTROWSKI	DATE 7-30-14
TECH: J. BORJA	DATE 7-31-14
APPROVED: J. CAIRO	DATE 9-23-14
ORIGINAL DESIGN:	DATE

TITLE: D1000 PWM FILTER MODULE DIMENSION DRAWING UF1000350		
SIZE A	REVISION R00	PAGE 2 of 2
DRAWING #: DD.UF1000350		

UNITS:
IN [mm]

SCALE:
1:4