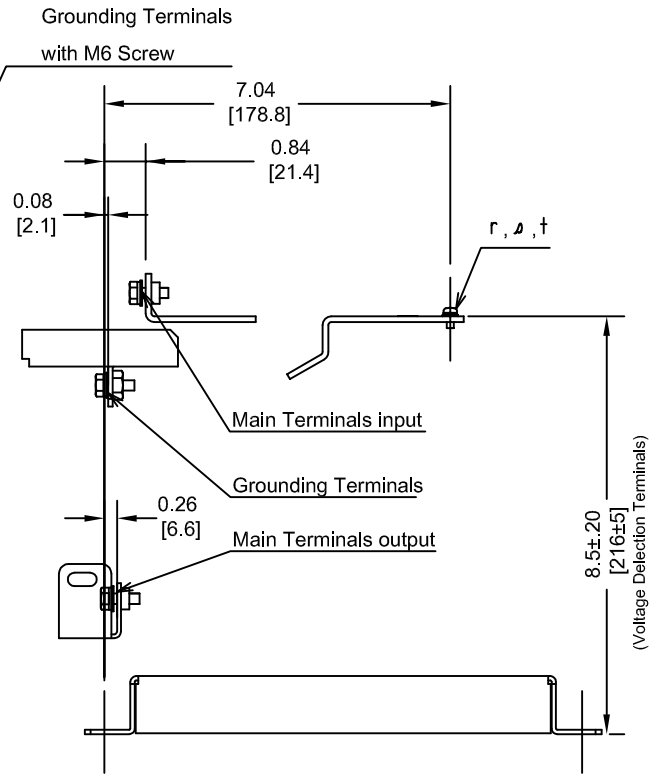
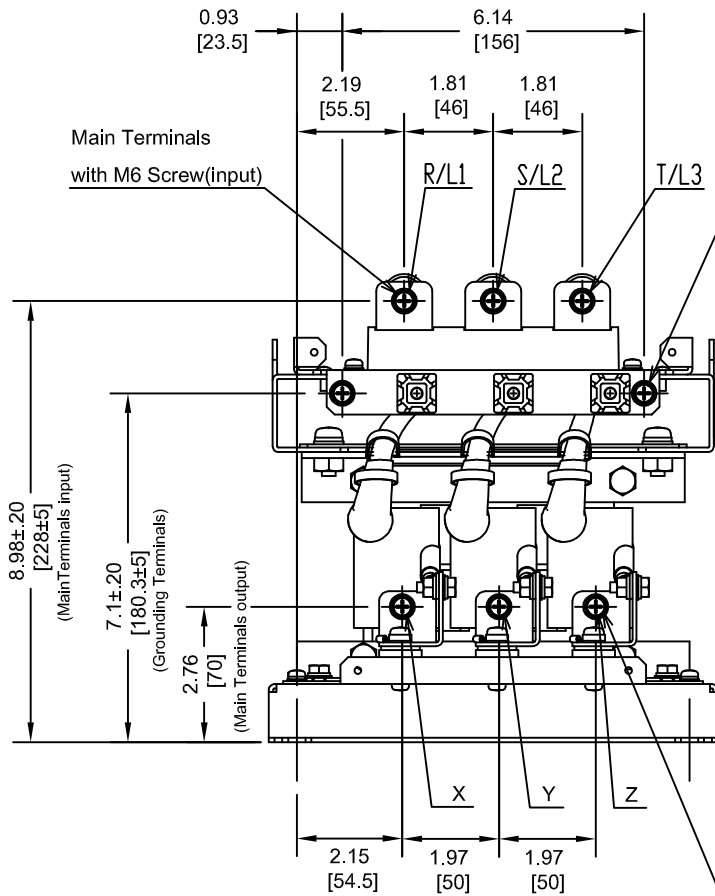
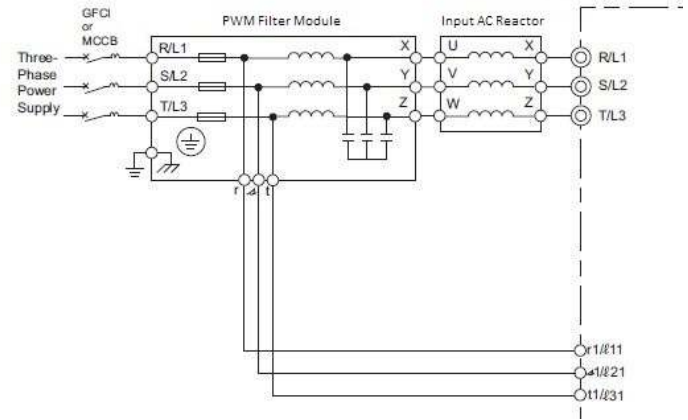
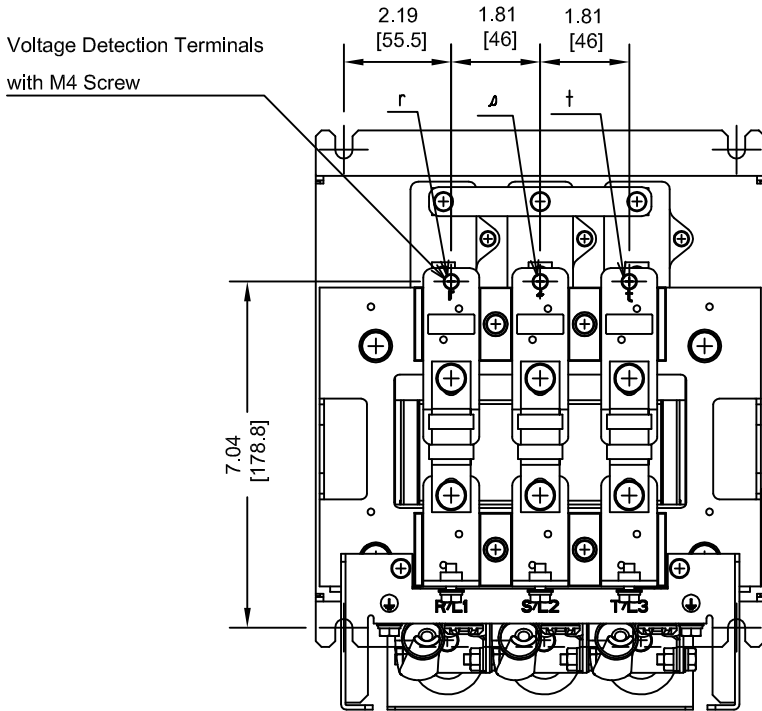


PART #	DESCRIPTION	VOLTAGE (VAC)	CURRENT (A)	WEIGHT LBS (Kg)	HEAT LOSS (W)
UF1000351	EUJ71082X	200/240	57	30.8 (14.0)	80

TOLERANCES / REFERENCES:	<p><b>YASKAWA</b></p> <p>THIS DOCUMENT AND INFORMATION CONTAINED IN IT ARE CONFIDENTIAL, AND CANNOT BE COPIED OR DISCLOSED IN WHOLE OR IN PART WITHOUT THE EXPRESS WRITTEN CONSENT OF YASKAWA AMERICA, INC.</p>	DRAWN: J. MATTAS	DATE: 7-28-14	TITLE: D1000 PWM FILTER MODULE DIMENSION DRAWING UF1000351		
		CHECKED: J. PIOTROWSKI	DATE: 7-30-14	SIZE A	REVISION R00	PAGE 1 of 2
		TECH: J. BORJA	DATE: 7-31-14	DRAWING #: <b>DD.UF1000351</b>		
		APPROVED: J. CAIRO	DATE: 9-23-14			
UNITS: IN [mm]	SCALE: 1: 4	ORIGINAL DESIGN: -	DATE: -			

TERMINAL DETAILS  
(FRONT COVER AND TOP COVER REMOVED)

ELECTRICAL DIAGRAM



TOLERANCES / REFERENCES:



THIS DOCUMENT AND INFORMATION CONTAINED IN IT ARE CONFIDENTIAL, AND CANNOT BE COPIED OR DISCLOSED IN WHOLE OR IN PART WITHOUT THE EXPRESS WRITTEN CONSENT OF YASKAWA AMERICA, INC.

DRAWN: J. MATTAS

CHECKED: J. PIOTROWSKI

TECH: J. BORJA

APPROVED: J. CAIRO

ORIGINAL DESIGN: -

DATE: 7-28-14

DATE: 7-30-14

DATE: 7-31-14

DATE: 9-23-14

DATE: -

TITLE: D1000 PWM FILTER MODULE  
DIMENSION DRAWING  
UF1000351

SIZE: A

REVISION: R00

PAGE: 2 of 2

DRAWING #: DD.UF1000351

UNITS: IN [mm]

SCALE: 1:4