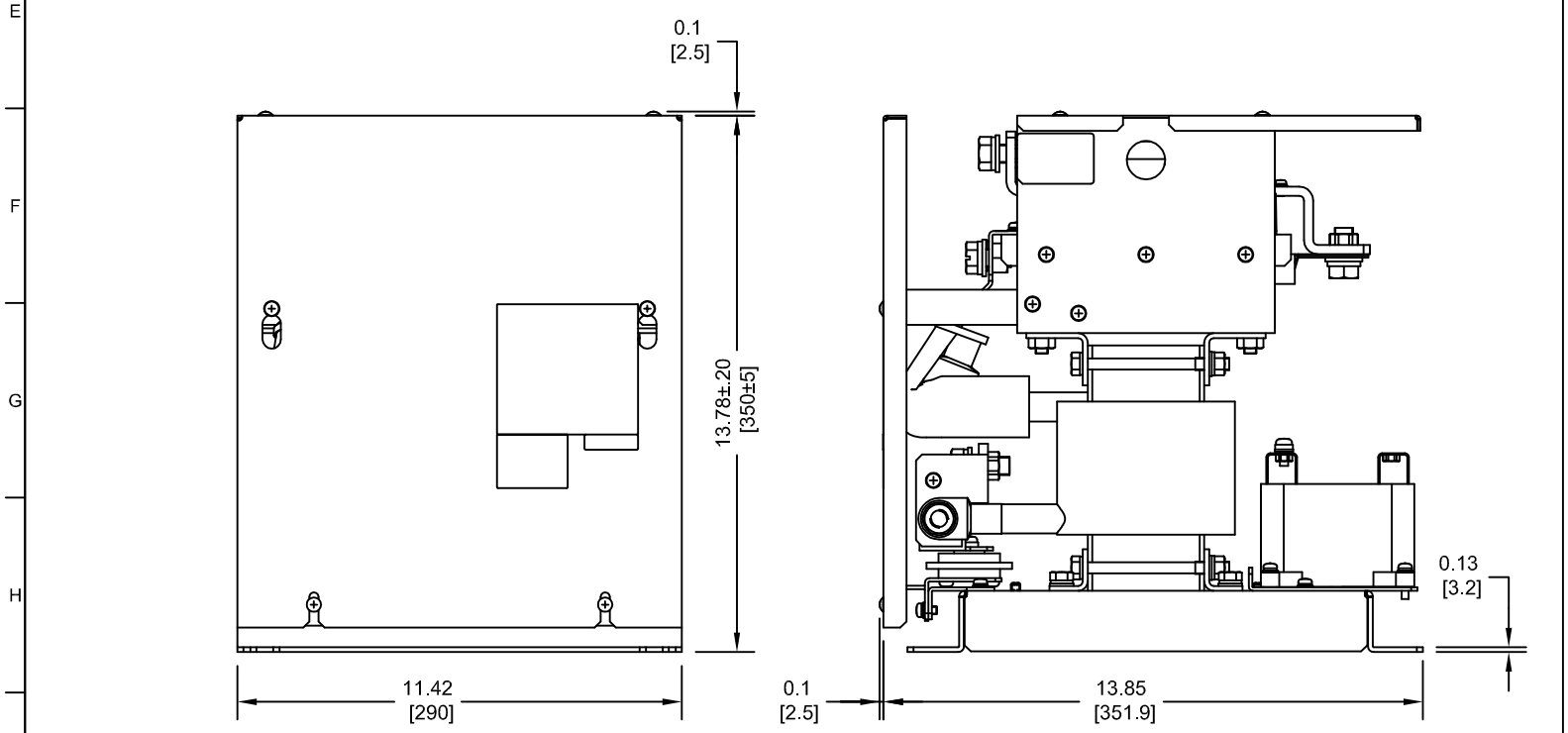


NOTE: FOR PROPER LIFTING, HANDLING AND MOUNTING INSTRUCTIONS, CONSULT MANUAL.

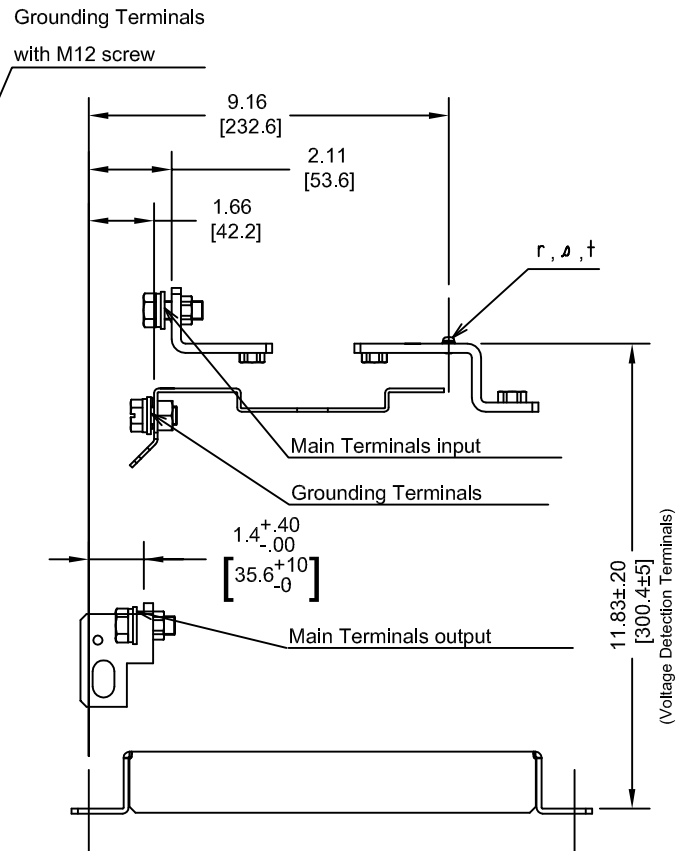
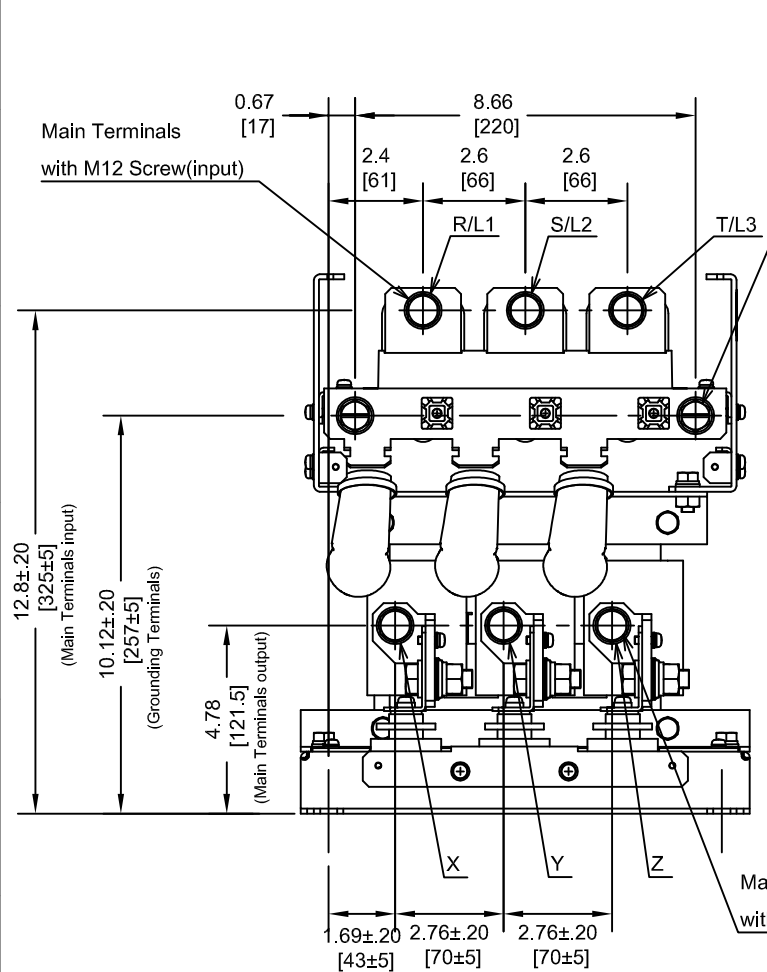
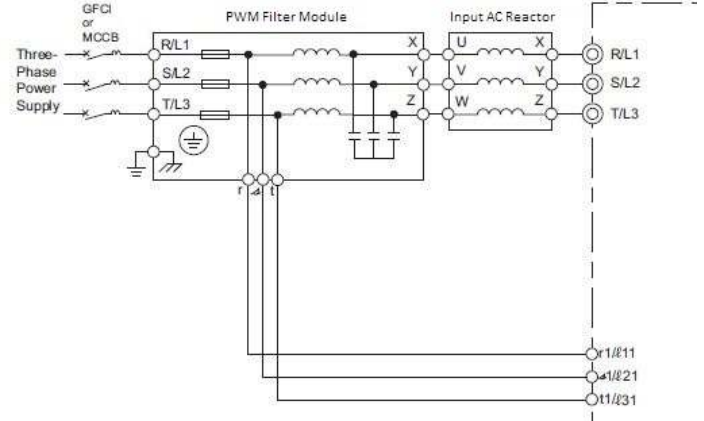
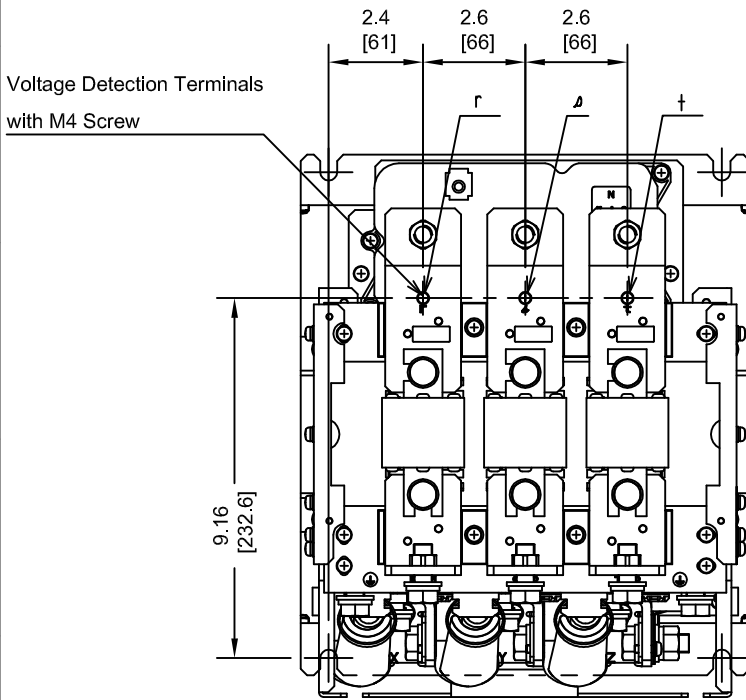


| PART #    | DESCRIPTION | VOLTAGE (VAC) | CURRENT (A) | WEIGHT LBS (Kg) | HEAT LOSS (W) |
|-----------|-------------|---------------|-------------|-----------------|---------------|
| UF1000354 | EUJ71085X   | 200/240       | 200         | 83.6 (38.0)     | 133           |

|                          |               |  |   |   |   |
|--------------------------|---------------|--|---|---|---|
| TOLERANCES / REFERENCES: |               | <p><b>THIS DOCUMENT AND INFORMATION CONTAINED IN IT ARE CONFIDENTIAL, AND CANNOT BE COPIED OR DISCLOSED IN WHOLE OR IN PART WITHOUT THE EXPRESS WRITTEN CONSENT OF YASKAWA AMERICA, INC.</b></p> | DRAWN:<br>J. MATTAS<br>CHECKED:<br>J. PIOTROWSKI<br>TECH:<br>J. BORJA<br>APPROVED:<br>J. CAIRO<br>ORIGINAL DESIGN:<br>- | DATE<br>7-30-14<br>DATE<br>7-30-14<br>DATE<br>7-31-14<br>DATE<br>9-23-14<br>DATE<br>- | TITLE:<br>D1000 PWM FILTER MODULE<br>DIMENSION DRAWING<br>UF1000354 |
| UNITS:<br>IN [mm]        | SCALE:<br>1:5 |  | SIZE<br>A   | REVISION<br>R00   | PAGE<br>1 of 2  |
|                          |               |  | DRAWING #:<br><b>DD.UF1000354</b>   |   |   |

**TERMINAL DETAILS**  
(FRONT COVER AND TOP COVER REMOVED)

**ELECTRICAL DIAGRAM**



TOLERANCES / REFERENCES:



THIS DOCUMENT AND INFORMATION CONTAINED IN IT ARE CONFIDENTIAL, AND CANNOT BE COPIED OR DISCLOSED IN WHOLE OR IN PART WITHOUT THE EXPRESS WRITTEN CONSENT OF YASKAWA AMERICA, INC.

|                           |                 |
|---------------------------|-----------------|
| DRAWN:<br>J. MATTAS       | DATE<br>7-30-14 |
| CHECKED:<br>J. PIOTROWSKI | DATE<br>7-30-14 |
| TECH:<br>J. BORJA         | DATE<br>7-31-14 |
| APPROVED:<br>J. CAIRO     | DATE<br>9-23-14 |
| ORIGINAL DESIGN:          | DATE            |

|   |                 |                |
|---|-----------------|----------------|
| TITLE:<br>D1000 PWM FILTER MODULE<br>DIMENSION DRAWING<br>UF1000354 |                 |                |
| SIZE<br>A   | REVISION<br>R00 | PAGE<br>2 of 2 |
| DRAWING #:<br><b>DD.UF1000354</b>                                   |                 |                |

UNITS: IN [mm] SCALE: 1:5