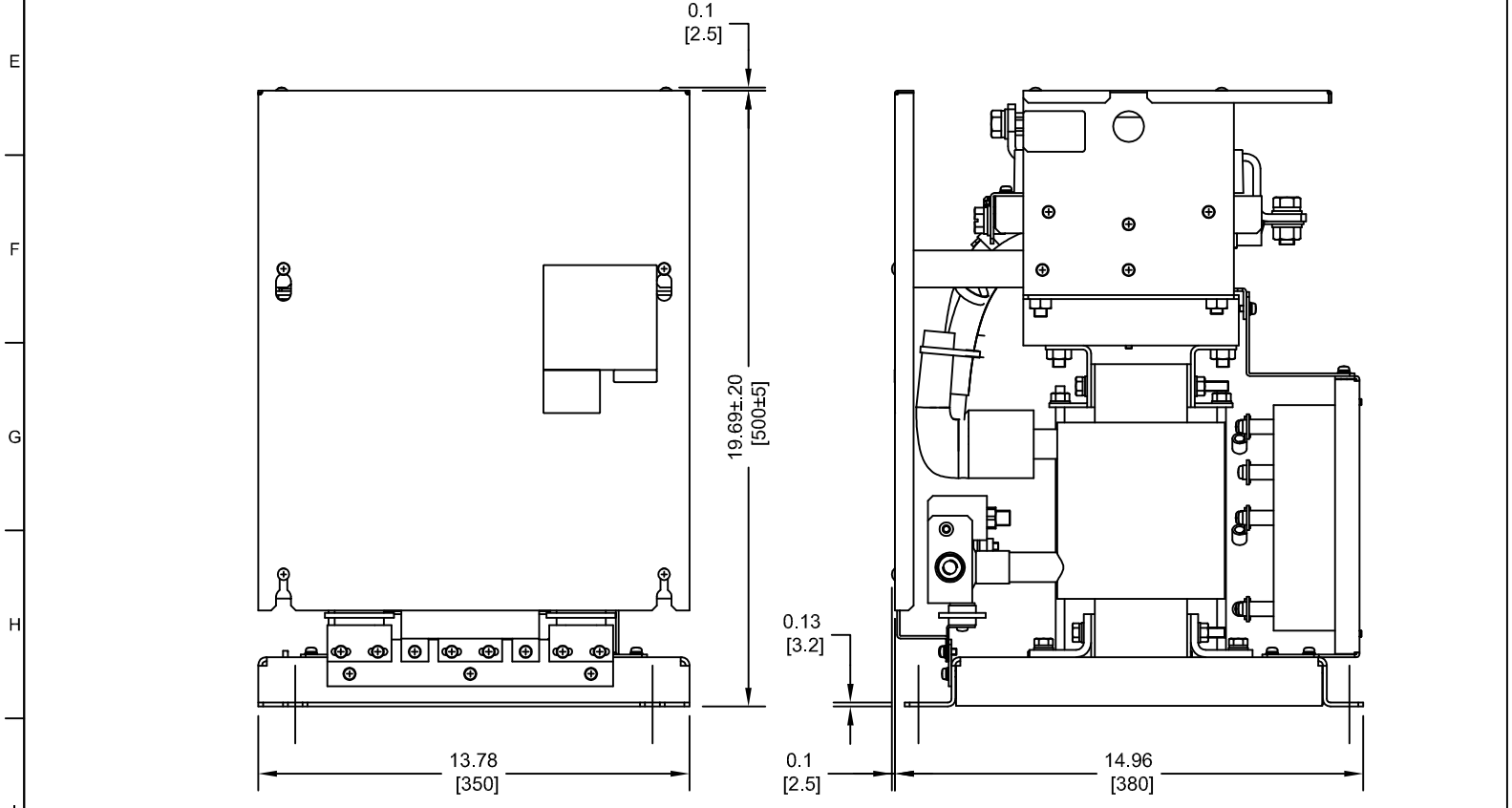


NOTE: FOR PROPER LIFTING, HANDLING AND MOUNTING INSTRUCTIONS, CONSULT MANUAL.

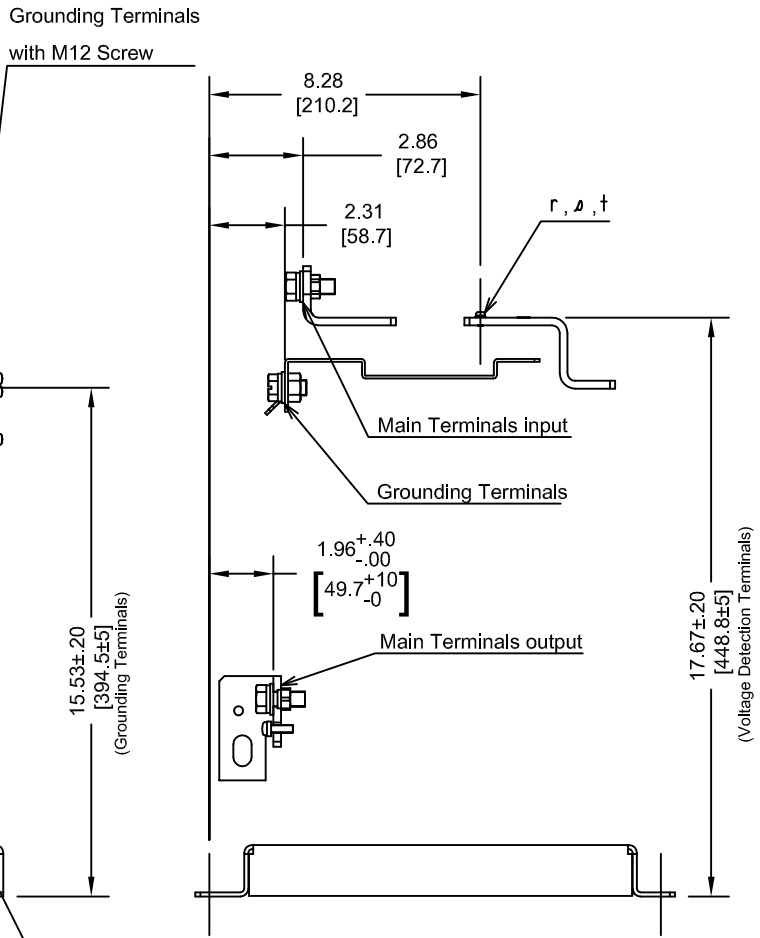
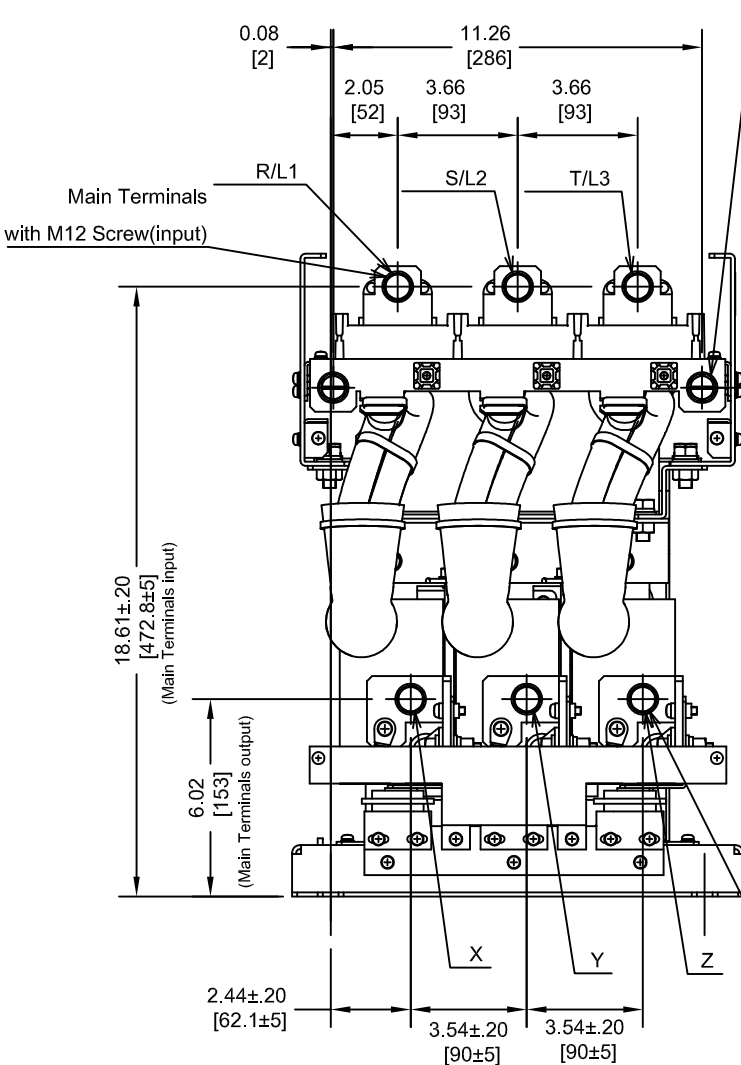
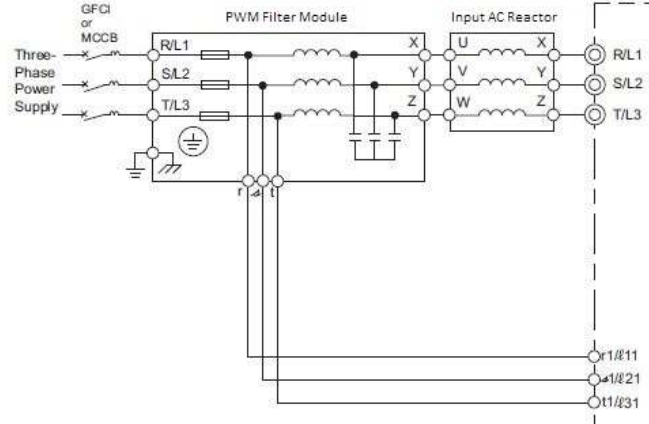
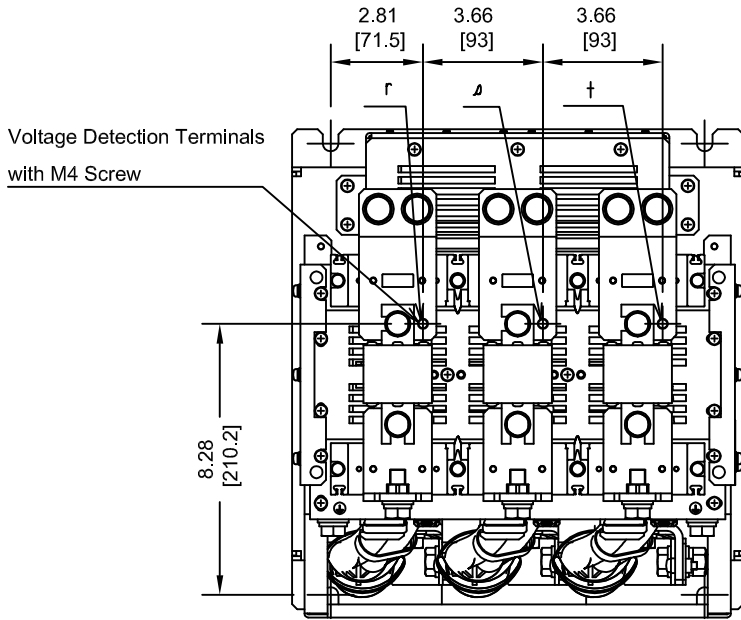


PART #	DESCRIPTION	VOLTAGE (VAC)	CURRENT (A)	WEIGHT LBS (Kg)	HEAT LOSS (W)
UF1000356	EUJ71087X	200/240	400	136.4 (62.0)	265

TOLERANCES / REFERENCES:		<p><b>YASKAWA</b></p> <p>THIS DOCUMENT AND INFORMATION CONTAINED IN IT ARE CONFIDENTIAL, AND CANNOT BE COPIED OR DISCLOSED IN WHOLE OR IN PART WITHOUT THE EXPRESS WRITTEN CONSENT OF YASKAWA AMERICA, INC.</p>	DRAWN: J. MATTAS DATE: 7-29-14	TITLE: D1000 PWM FILTER MODULE DIMENSION DRAWING UF1000356		
UNITS: IN [mm]			CHECKED: J. PIOTROWSKI DATE: 7-30-14	SIZE A	REVISION R00	PAGE 1 of 2
SCALE: 1:6			TECH: J. BORJA DATE: 7-31-14	DRAWING #: <b>DD.UF1000356</b>		
			APPROVED: J. CAIRO DATE: 9-23-14	ORIGINAL DESIGN: -	DATE: -	

TERMINAL DETAILS  
(FRONT COVER AND TOP COVER REMOVED)

ELECTRICAL DIAGRAM



TOLERANCES / REFERENCES:



THIS DOCUMENT AND INFORMATION CONTAINED IN IT ARE CONFIDENTIAL, AND CANNOT BE COPIED OR DISCLOSED IN WHOLE OR IN PART WITHOUT THE EXPRESS WRITTEN CONSENT OF YASKAWA AMERICA, INC.

DRAWN: J. MATTAS	DATE 7-29-14
CHECKED: J. PIOTROWSKI	DATE 7-30-14
TECH: J. BORJA	DATE 7-31-14
APPROVED: J. CAIRO	DATE 9-23-14
ORIGINAL DESIGN:	DATE

TITLE:  
D1000 PWM FILTER MODULE  
DIMENSION DRAWING  
UF1000356

SIZE A	REVISION R00	PAGE 2 of 2
-----------	-----------------	----------------

DRAWING #:  
DD.UF1000356

UNITS:  
IN [mm]

SCALE:  
1:6