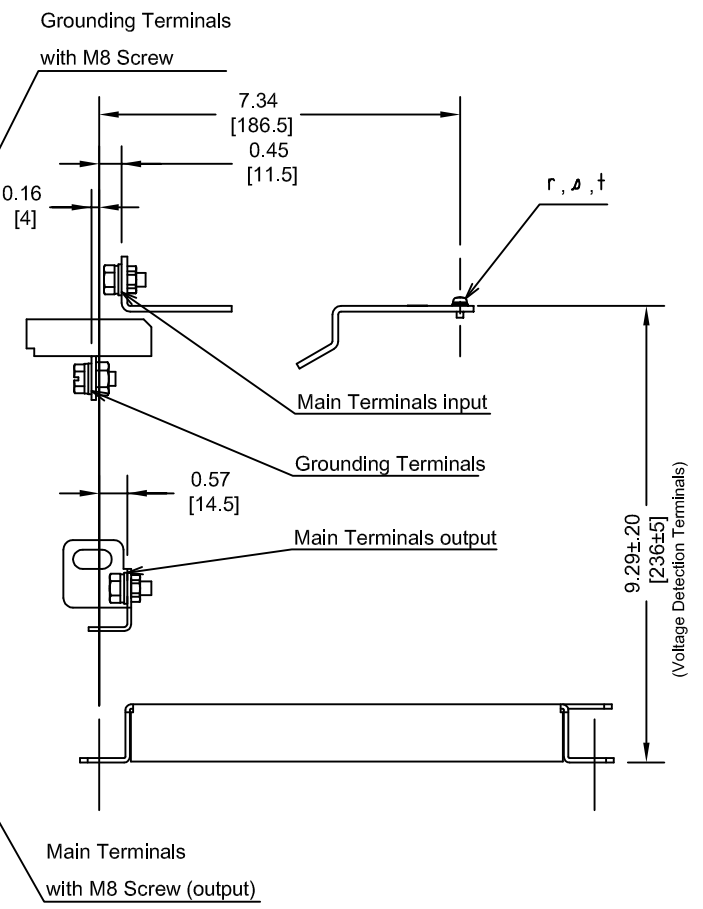
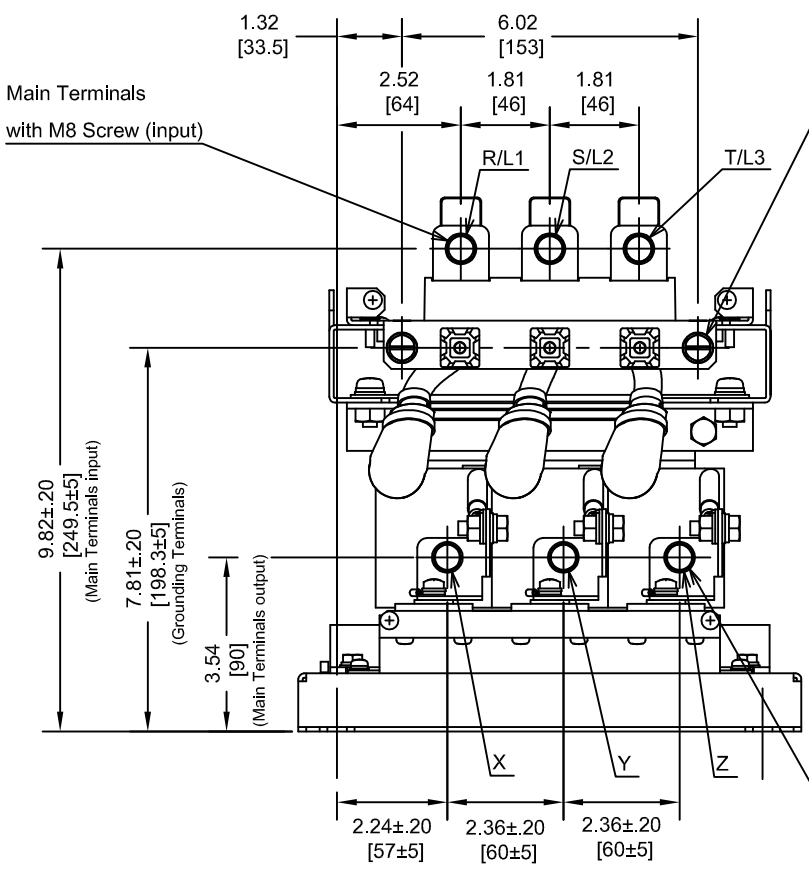
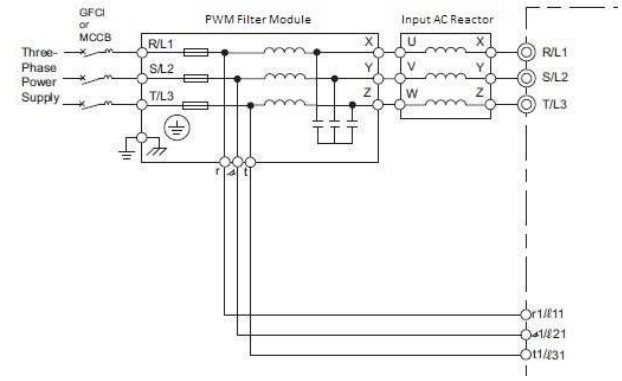
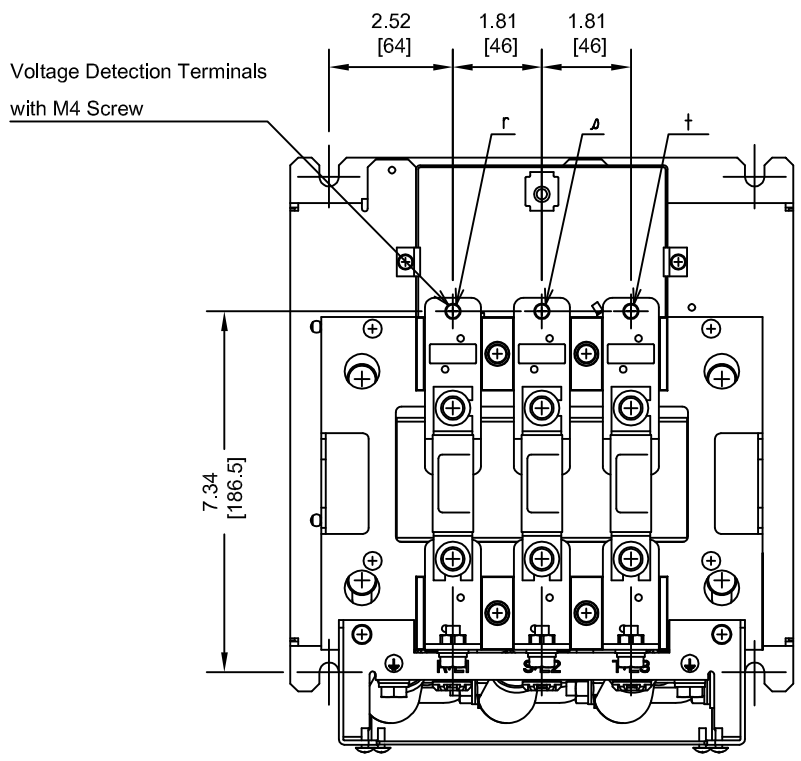


PART #	DESCRIPTION	VOLTAGE (VAC)	CURRENT (A)	WEIGHT LBS (Kg)	HEAT LOSS (W)
UF1000360	EUJ71091X	380/480	43	37.4 (17.0)	84

TOLERANCES / REFERENCES:	<p><b>YASKAWA</b></p> <p>THIS DOCUMENT AND INFORMATION CONTAINED IN IT ARE CONFIDENTIAL, AND CANNOT BE COPIED OR DISCLOSED IN WHOLE OR IN PART WITHOUT THE EXPRESS WRITTEN CONSENT OF YASKAWA AMERICA, INC.</p>	DRAWN: J. MATTAS	DATE 7-28-14	TITLE: D1000 PWM FILTER MODULE DIMENSION DRAWING UF1000360		
		CHECKED: J. PIOTROWSKI	DATE 7-30-14			
		TECH: J. BORJA	DATE 7-31-14			
		APPROVED: J. CAIRO	DATE 9-23-14			
UNITS: IN [mm]	SCALE: 1: 4	ORIGINAL DESIGN: -	DATE -	SIZE A	REVISION R00	PAGE 1 of 2
DRAWING #: <b>DD.UF1000360</b>						

TERMINAL DETAILS  
(FRONT COVER AND TOP COVER REMOVED)

ELECTRICAL DIAGRAM



TOLERANCES / REFERENCES:		<p>THIS DOCUMENT AND INFORMATION CONTAINED IN IT ARE CONFIDENTIAL, AND CANNOT BE COPIED OR DISCLOSED IN WHOLE OR IN PART WITHOUT THE EXPRESS WRITTEN CONSENT OF YASKAWA AMERICA, INC.</p>	DRAWN: J. MATTAS DATE: 7-28-14	TITLE: D1000 PWM FILTER MODULE DIMENSION DRAWING UF1000360
			CHECKED: J. PIOTROWSKI DATE: 7-30-14	REVISION R00
			TECH: J. BORJA DATE: 7-31-14	PAGE 2 of 2
			APPROVED: J. CAIRO DATE: 9-23-14	DRAWING #: DD.UF1000360
UNITS: IN [mm]	SCALE: 1:4	ORIGINAL DESIGN:	DATE:	