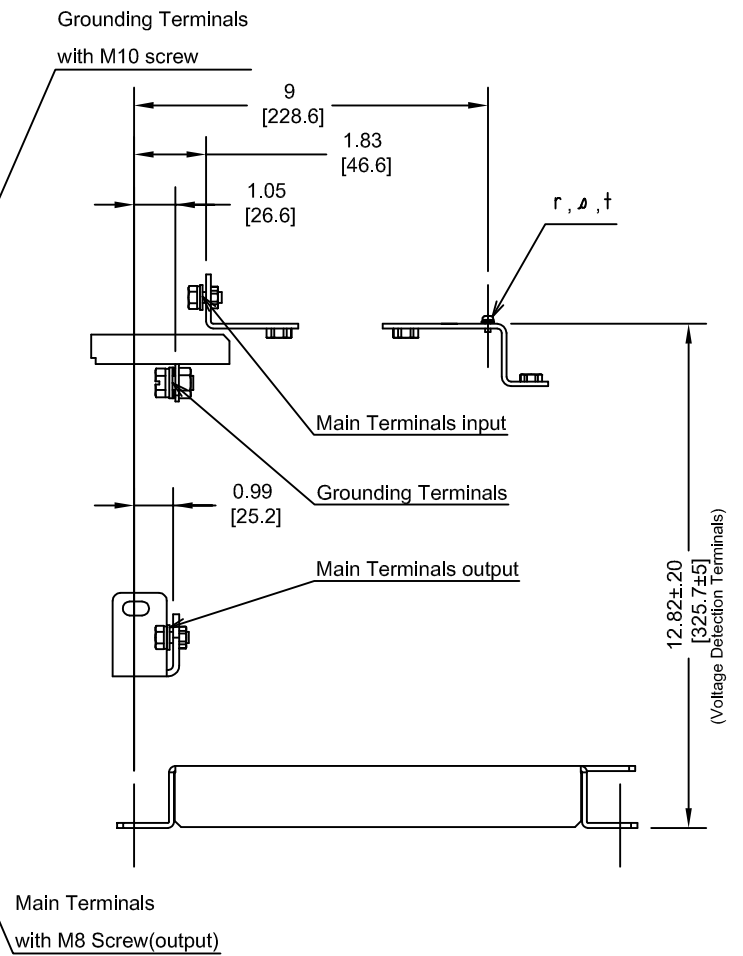
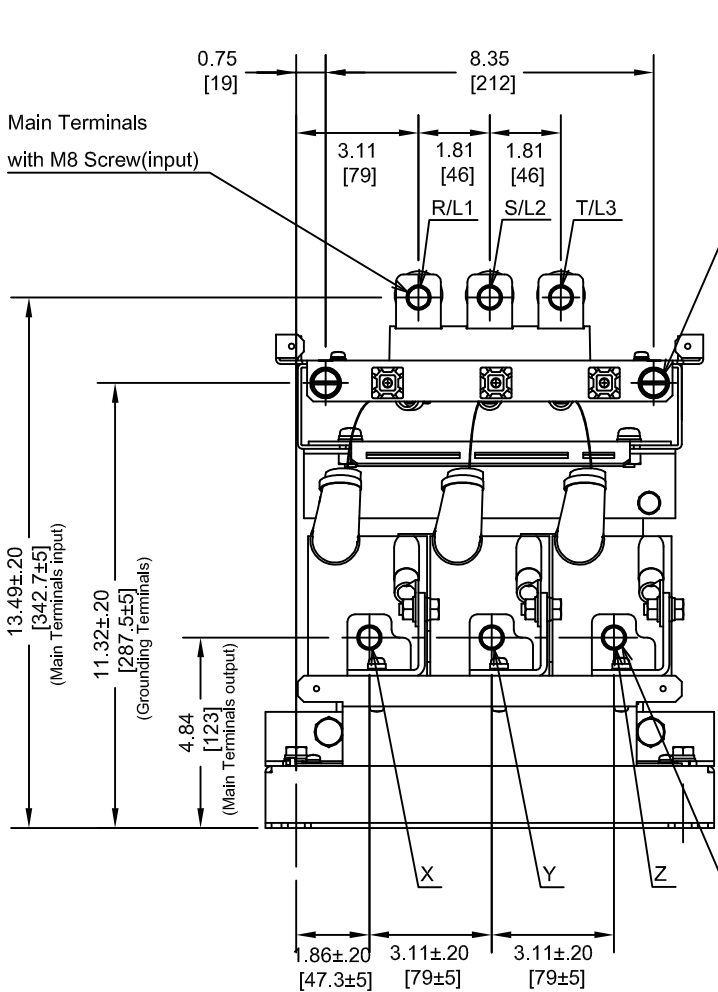
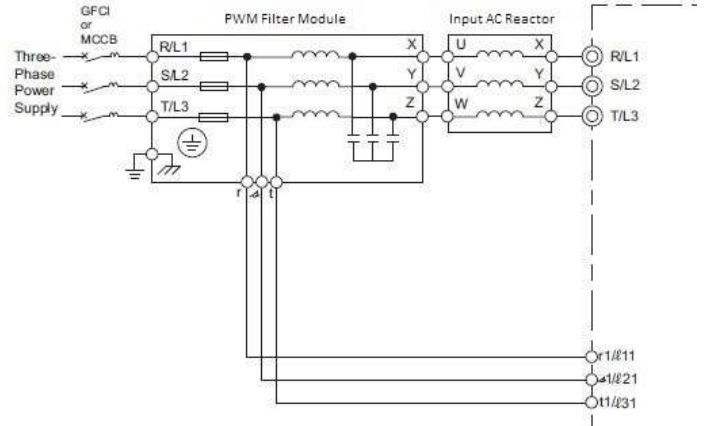
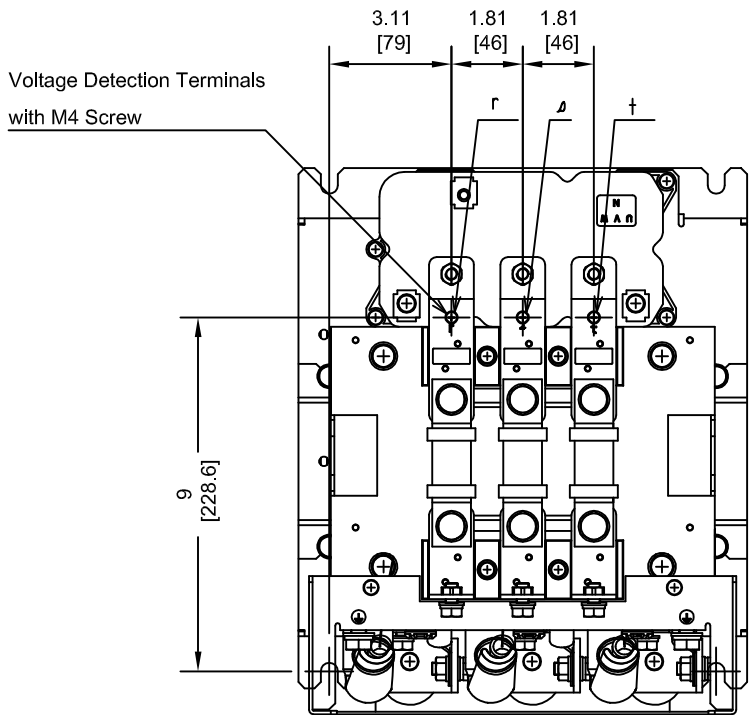


PART #	DESCRIPTION	VOLTAGE (VAC)	CURRENT (A)	WEIGHT LBS (Kg)	HEAT LOSS (W)
UF1000363	EUJ71094X	380/480	145	85.8 (39.0)	216

TOLERANCES / REFERENCES:		<p>YASKAWA</p> <p>THIS DOCUMENT AND INFORMATION CONTAINED IN IT ARE CONFIDENTIAL, AND CANNOT BE COPIED OR DISCLOSED IN WHOLE OR IN PART WITHOUT THE EXPRESS WRITTEN CONSENT OF YASKAWA AMERICA, INC.</p>	DRAWN: J. MATTAS	DATE: 7-29-14	TITLE: D1000 PWM FILTER MODULE DIMENSION DRAWING UF1000363	
UNITS: IN [mm]			SCALE: 1:5	CHECKED: J. PIOTROWSKI		DATE: 7-30-14
			APPROVED: J. CAIRO	DATE: 9-23-14		SIZE: A
			ORIGINAL DESIGN: -	DATE: -		REVISION: R00
					PAGE: 1 of 2	
DRAWING #: DD.UF1000363						

TERMINAL DETAILS
(FRONT COVER AND TOP COVER REMOVED)

ELECTRICAL DIAGRAM



TOLERANCES / REFERENCES:



THIS DOCUMENT AND INFORMATION CONTAINED
IN IT ARE CONFIDENTIAL, AND CANNOT BE
COPIED OR DISCLOSED IN WHOLE OR IN PART
WITHOUT THE EXPRESS WRITTEN CONSENT
OF YASKAWA AMERICA, INC.

DRAWN:
J. MATTAS

DATE
7-29-14

CHECKED:
J. PIOTROWSKI

DATE
7-30-14

TECH:
J. BORJA

DATE
7-31-14

APPROVED:
J. CAIRO

DATE
9-23-14

ORIGINAL DESIGN:

DATE
-

TITLE:
D1000 PWM FILTER MODULE
DIMENSION DRAWING
UF1000363

SIZE
A

REVISION
R00

PAGE
2 of 2

DRAWING #:

DD.UF1000363

UNITS:
IN [mm]

SCALE:
1:5