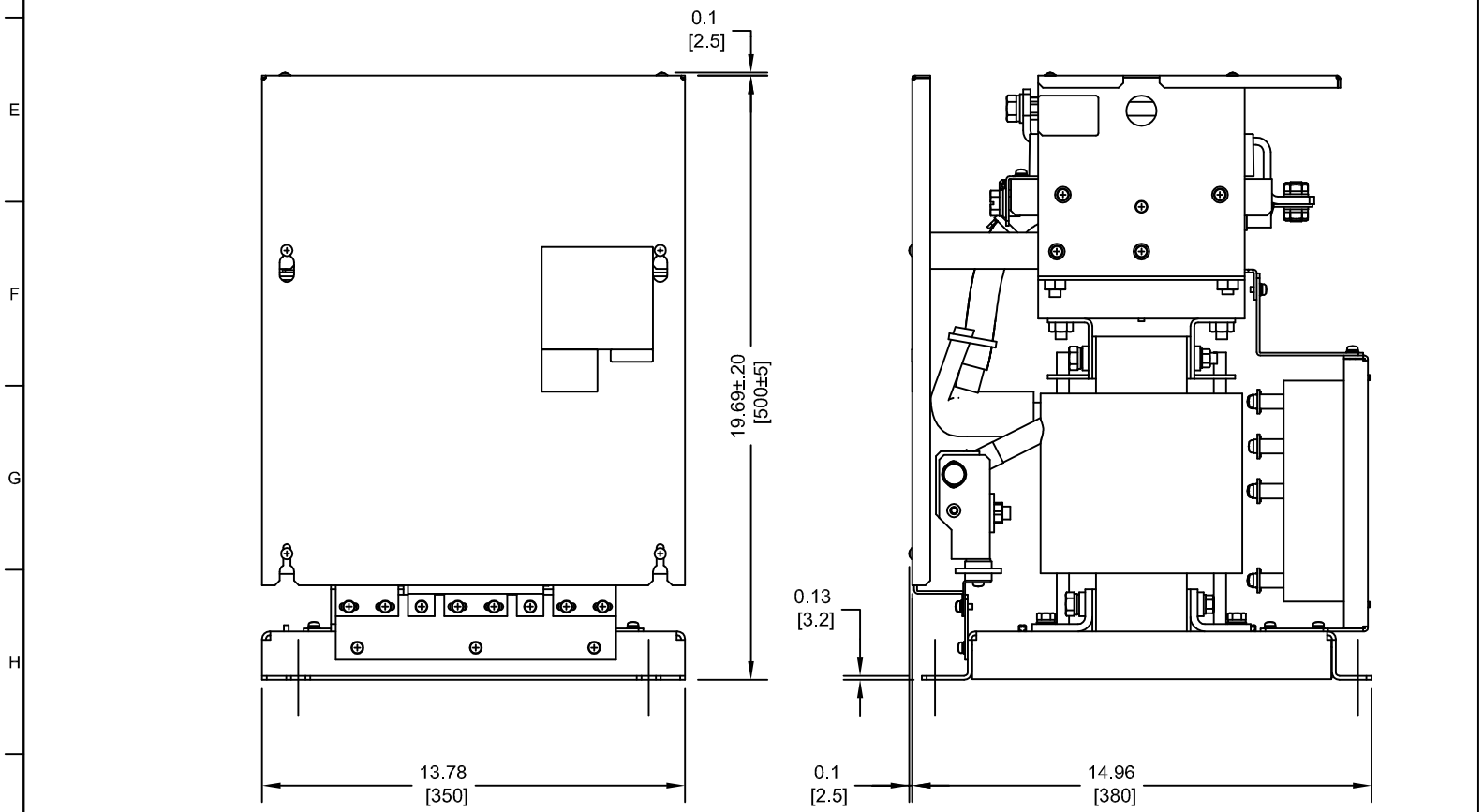


NOTE: FOR PROPER LIFTING, HANDLING AND MOUNTING INSTRUCTIONS, CONSULT MANUAL.

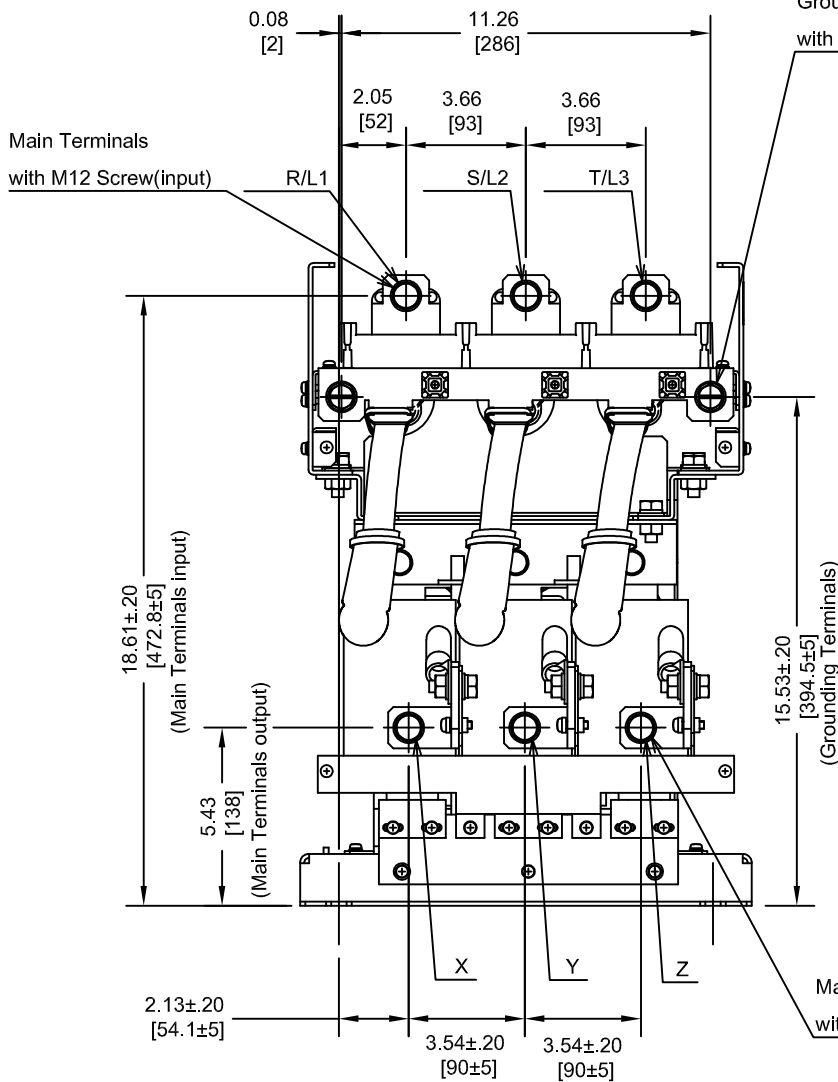
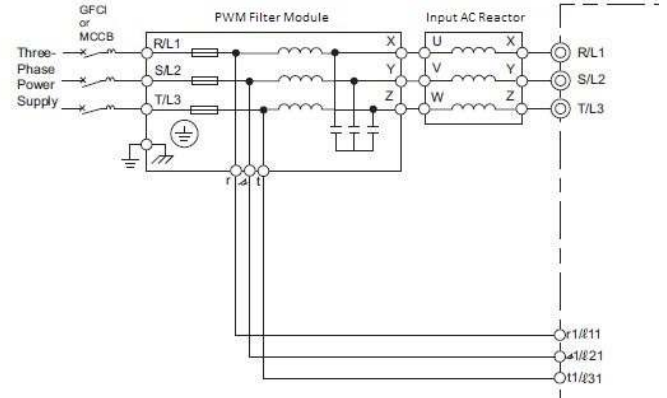
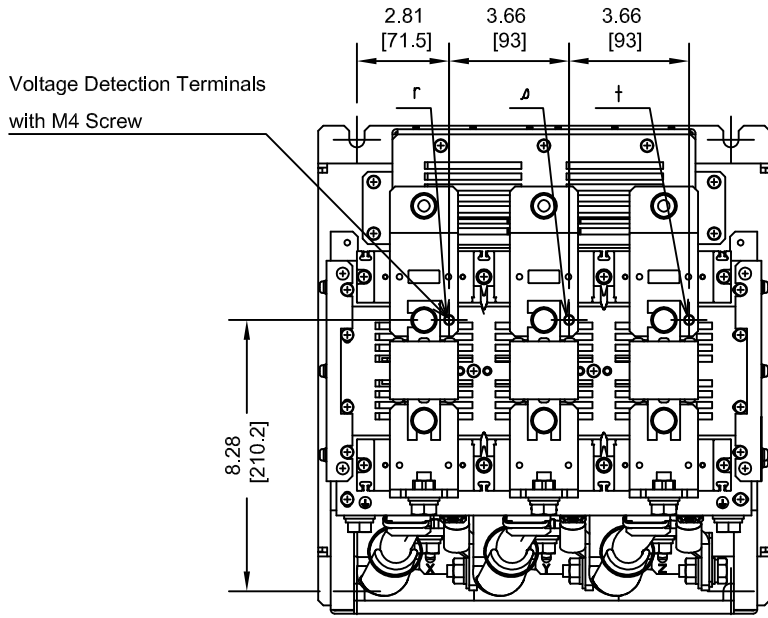


PART #	DESCRIPTION	VOLTAGE (VAC)	CURRENT (A)	WEIGHT LBS (Kg)	HEAT LOSS (W)
UF1000364	EUJ71095X	380/480	210	140.8 (64.0)	272

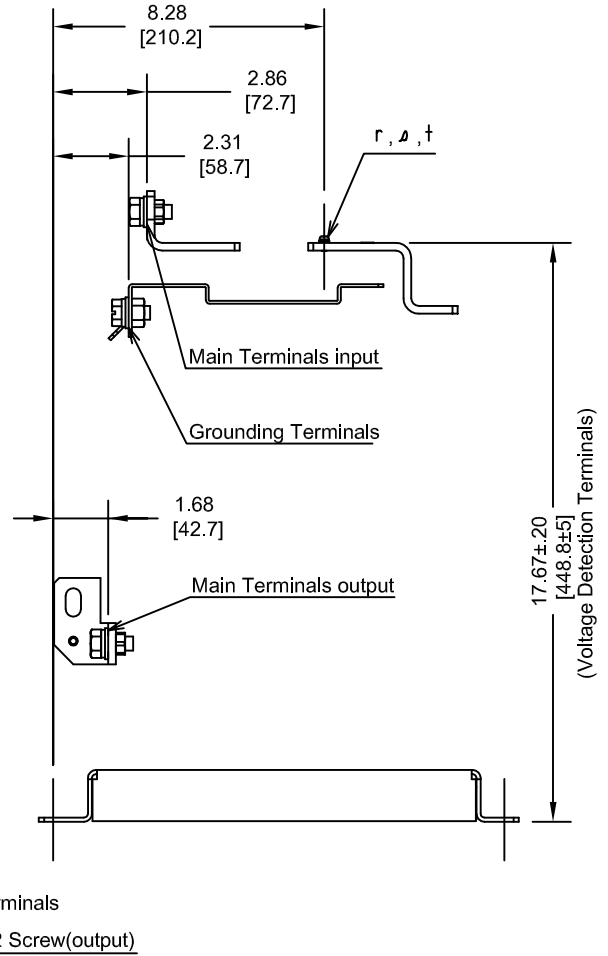
TOLERANCES / REFERENCES:		<p><b>YASKAWA</b></p> <p>THIS DOCUMENT AND INFORMATION CONTAINED IN IT ARE CONFIDENTIAL, AND CANNOT BE COPIED OR DISCLOSED IN WHOLE OR IN PART WITHOUT THE EXPRESS WRITTEN CONSENT OF YASKAWA AMERICA, INC.</p>	DRAWN: J. MATTAS CHECKED: J. PIOTROWSKI TECH: J. BORJA APPROVED: J. CAIRO ORIGINAL DESIGN: -	DATE: 7-30-14 DATE: 7-30-14 DATE: 7-31-14 DATE: 9-23-14 DATE: -	TITLE: D1000 PWM FILTER MODULE DIMENSION DRAWING UF1000364
UNITS: IN [mm]	SCALE: 1:6		SIZE A	REVISION R00	PAGE 1 of 2
			DRAWING #: <b>DD.UF1000364</b>		

TERMINAL DETAILS  
(FRONT COVER AND TOP COVER REMOVED)

ELECTRICAL DIAGRAM



Grounding Terminals with M12 Screw



TOLERANCES / REFERENCES:



THIS DOCUMENT AND INFORMATION CONTAINED IN IT ARE CONFIDENTIAL, AND CANNOT BE COPIED OR DISCLOSED IN WHOLE OR IN PART WITHOUT THE EXPRESS WRITTEN CONSENT OF YASKAWA AMERICA, INC.

DRAWN: J. MATTAS

CHECKED: J. PIOTROWSKI

TECH: J. BORJA

APPROVED: J. CAIRO

ORIGINAL DESIGN: -

DATE: 7-30-14

DATE: 7-30-14

DATE: 7-31-14

DATE: 9-23-14

DATE: -

TITLE: D1000 PWM FILTER MODULE  
DIMENSION DRAWING  
UF1000364

SIZE: A

REVISION: R00

PAGE: 2 of 2

DRAWING #:

DD.UF1000364

UNITS: IN [mm]

SCALE: 1:6