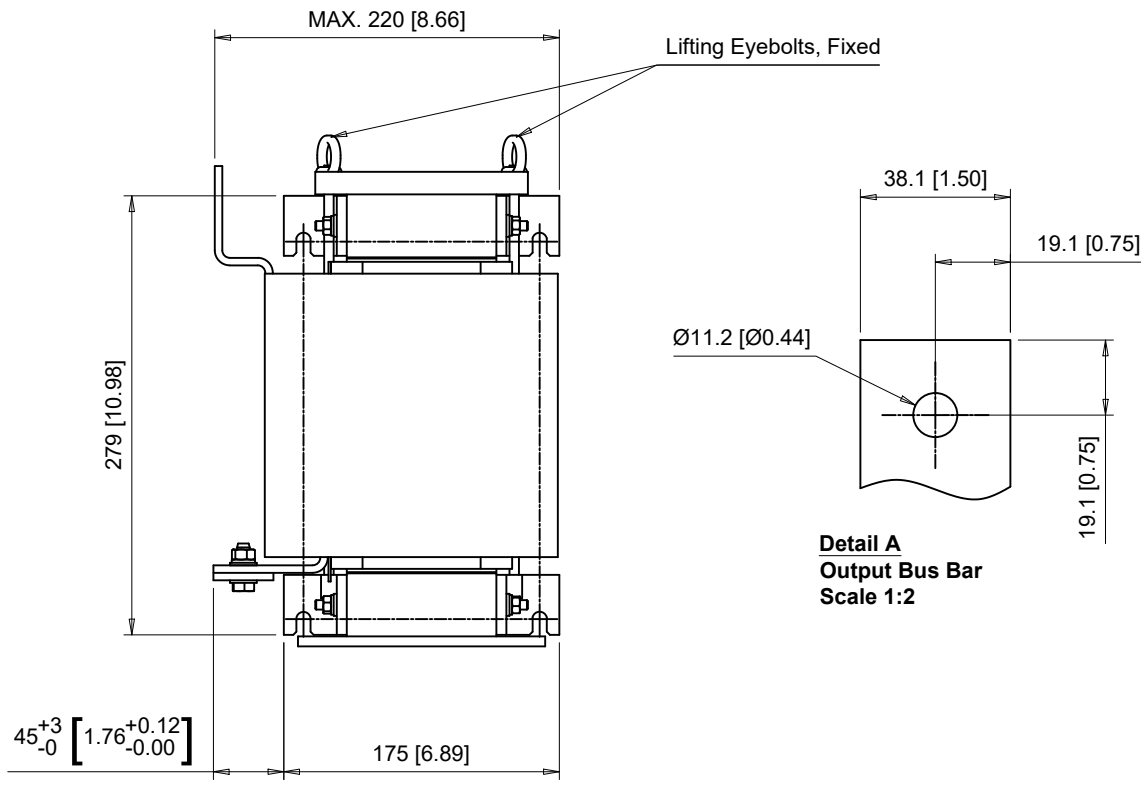


Note: Floor Mounting only



PART NUMBER	INDUCTANCE (mH)	CURRENT (A)	WEIGHT Kg (lb)	HEAT LOSS (W)
URX000529	0.54	234	33 (72.6)	220

YASKAWA

UNITS MM [IN]
SCALE 1:5

DRWN. J. MATTAS 1-25-19
CHKD. J. PIOTROWSKI 1-29-19
TECH. L. UDDIN 2-1-19
APRV. J. CAIRO 2-14-19

TITLE
DC LINK CHOKE
DIMENSION DRAWING
URX000529

SIZE A PAGE 1 OF 1
DWG.NO. DD.URX000529

REV 0