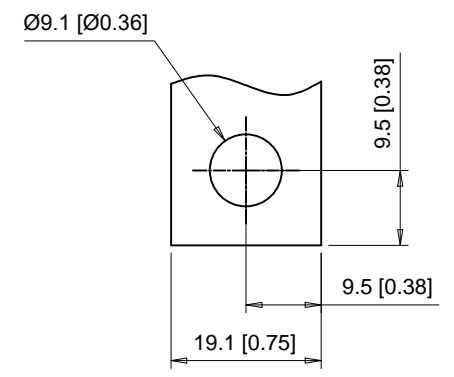
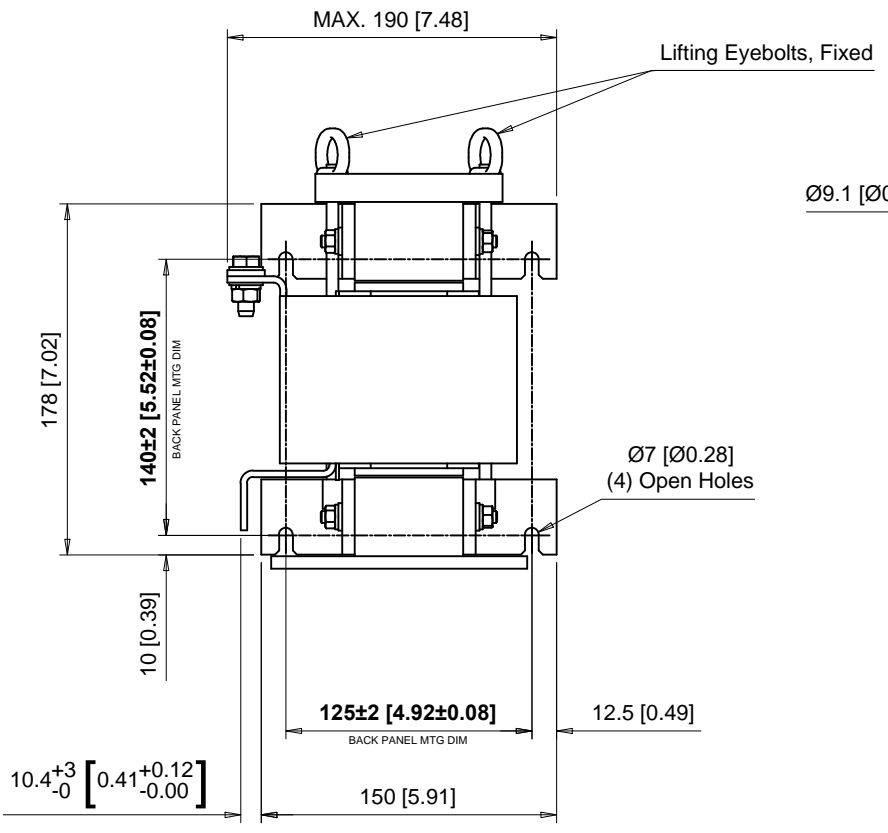
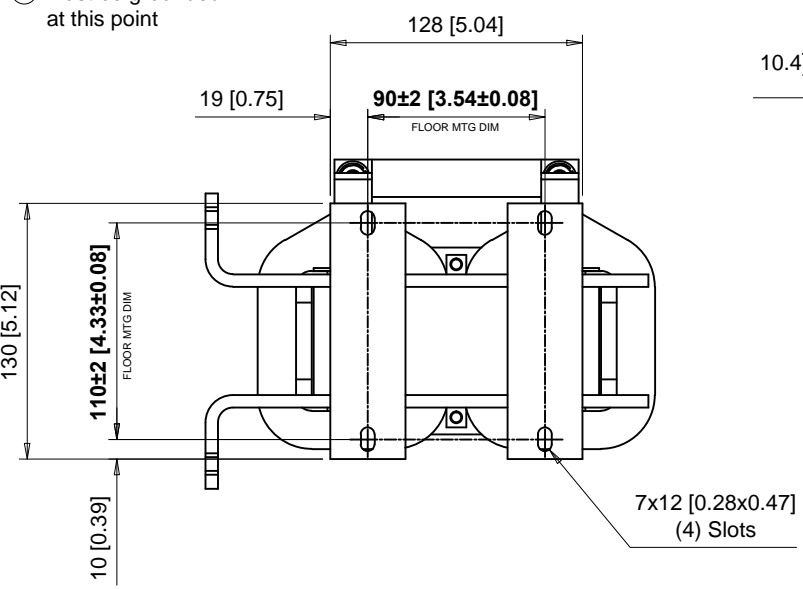


⚡ Must be grounded at this point



**Detail A**  
Output Bus Bar  
Scale 1:1

PART NUMBER	IMPEDANCE (mH)	CURRENT (A)	WEIGHT Kg (lb)	HEAT LOSS (W)
URX000534	2.19	58	17 (37.5)	105



UNITS MM [IN]  
SCALE 1:4

DRWN. J. MATTAS 12-26-17  
 CHKD. J. PIOTROWSKI 1-3-18  
 TECH. L. UDDIN 1-9-18  
 APRV. J. CAIRO 2-13-18

TITLE  
INDUCTOR DIMENSION DRAWING  
URX000534

SIZE A PAGE 1 OF 1  
 DWG.NO. DD.URX000534

REV 0